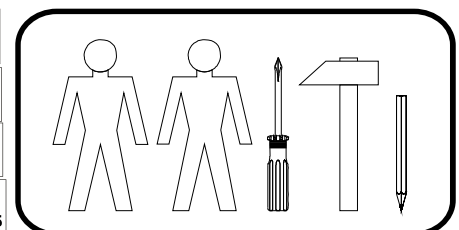
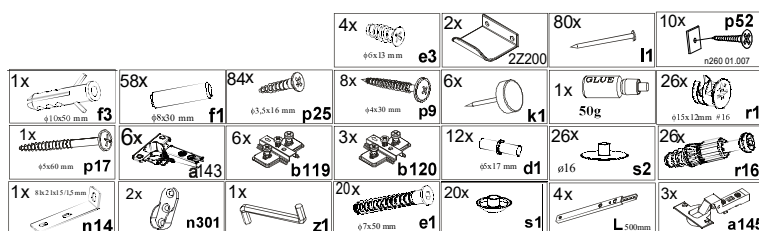
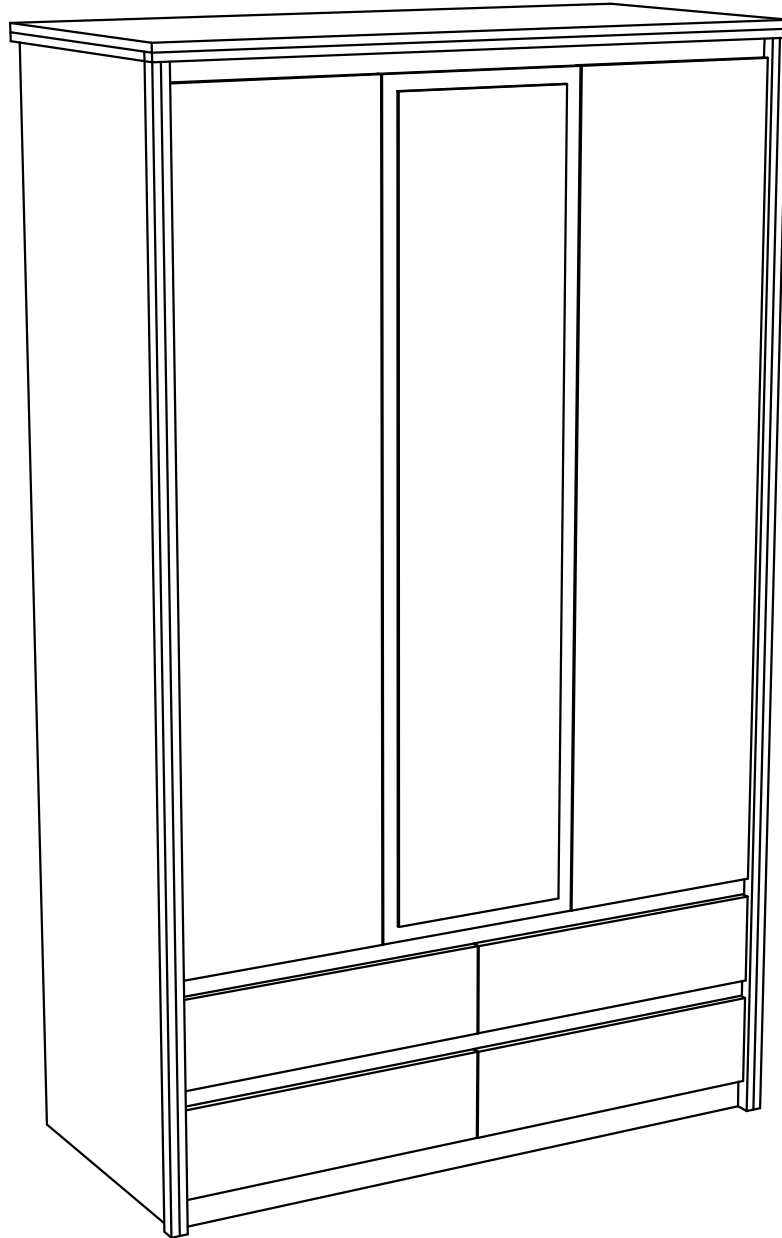
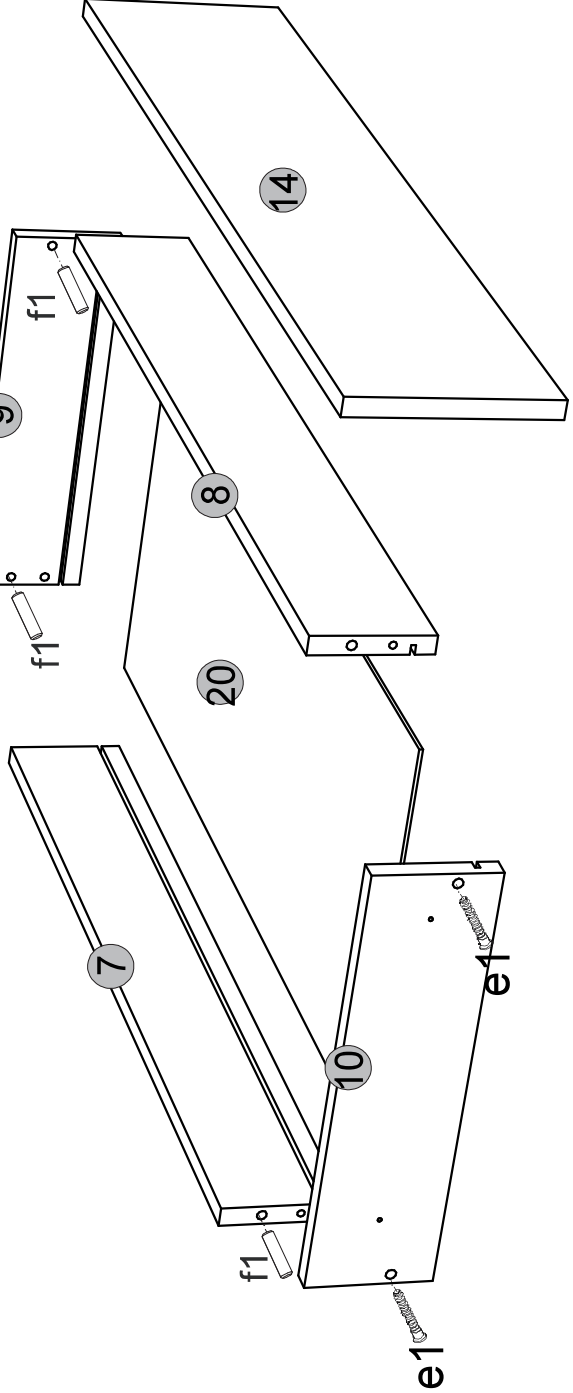
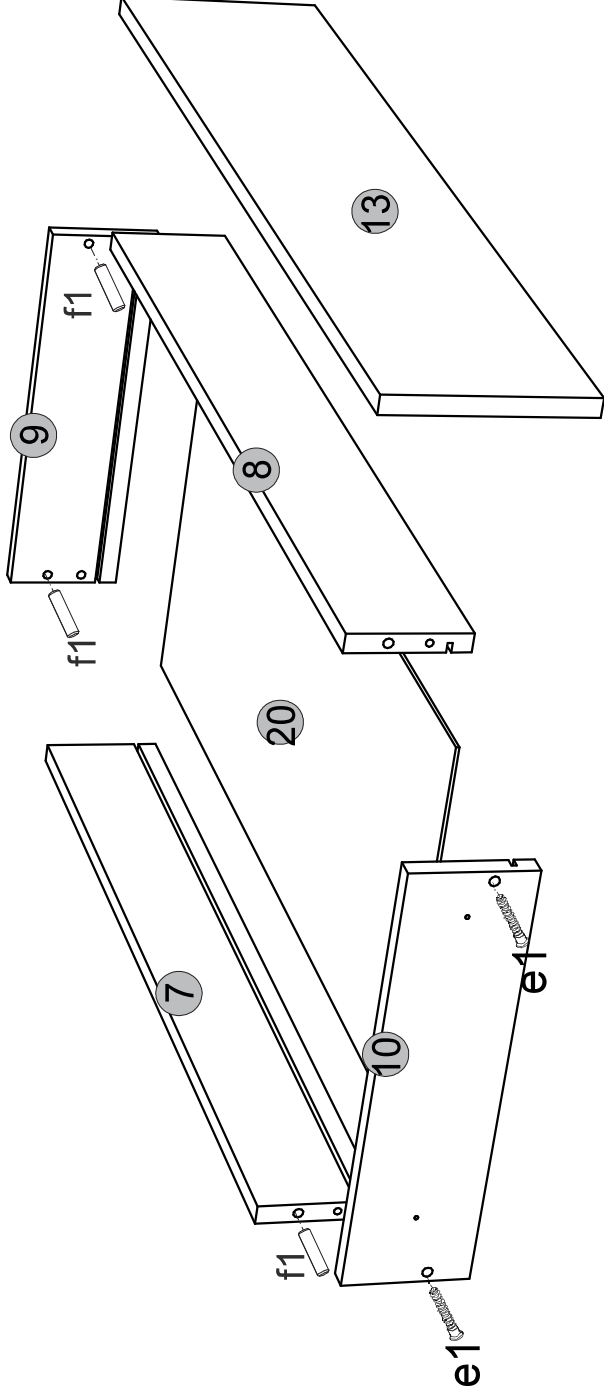


## Norton SZF\_3D4S

210/127/60





|    |        |      |      |       |   |
|----|--------|------|------|-------|---|
| 1  | NS-107 | 1596 | 569  | 16    | 1 |
| 2  | NS-002 | 1560 | 398  | 16    | 3 |
| 3  | NS-403 | 1204 | 100  | 16    | 1 |
| 4  | NS-404 | 1204 | 100  | 16    | 1 |
| 5  | NS-302 | 1204 | 539  | 16    | 1 |
| 6  | NS-303 | 794  | 569  | 16    | 1 |
| 7  | NS-505 | 537  | 120  | 16    | 4 |
| 8  | NS-506 | 537  | 120  | 16    | 4 |
| 9  | NS-507 | 500  | 120  | 16    | 4 |
| 10 | NS-508 | 500  | 120  | 16    | 4 |
| 11 | NS-108 | 396  | 569  | 16    | 1 |
| 12 | NS-304 | 394  | 569  | 16    | 3 |
| 13 | NS-003 | 170  | 598  | 16    | 2 |
| 14 | NS-004 | 170  | 598  | 16    | 2 |
| 15 | NS-405 | 60   | 1204 | 16    | 1 |
| 16 | NS-406 | 60   | 1204 | 16    | 2 |
| 17 | NS-407 | 70   | 1204 | 30    | 2 |
| 18 | NS-603 | 1613 | 405  | 3     | 2 |
| 19 | NS-604 | 1613 | 411  | 3     | 1 |
| 20 | NS-605 | 551  | 482  | 3     | 4 |
| 21 | NS-606 | 419  | 611  | 3     | 2 |
| 22 | NS-109 | 2068 | 598  | 16/32 | 1 |
| 23 | NS-110 | 2068 | 598  | 16/32 | 1 |
| 24 | NS-202 | 1270 | 600  | 16/32 | 1 |
| 25 |        | 1500 | 338  | 4     | 1 |

