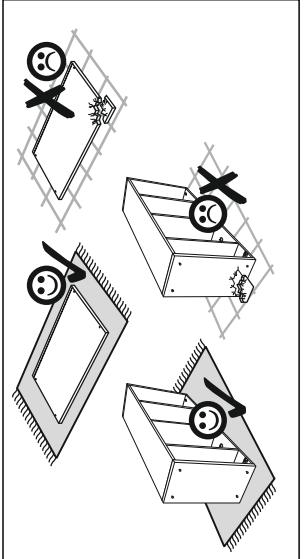
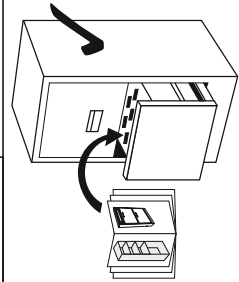
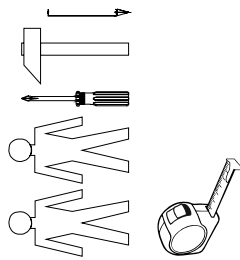
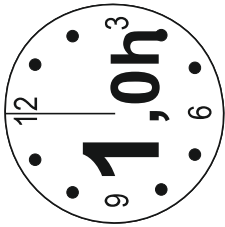
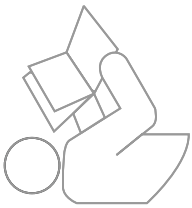
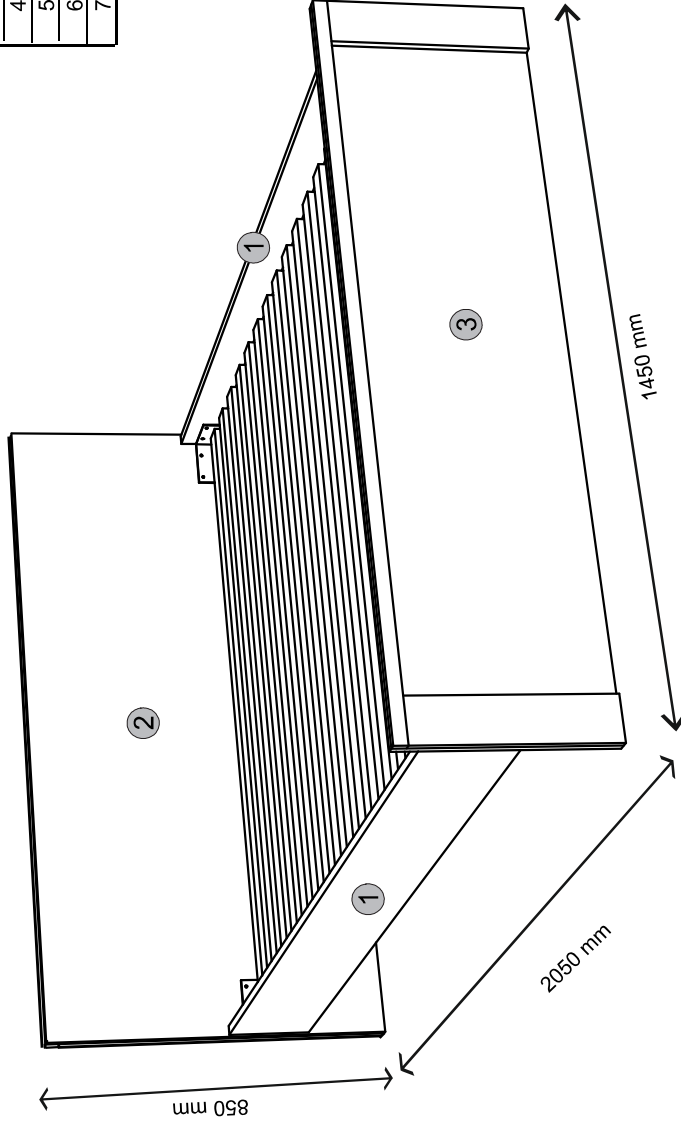


# Instalation manual

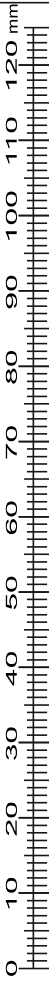
NORTON: LOZ\_140



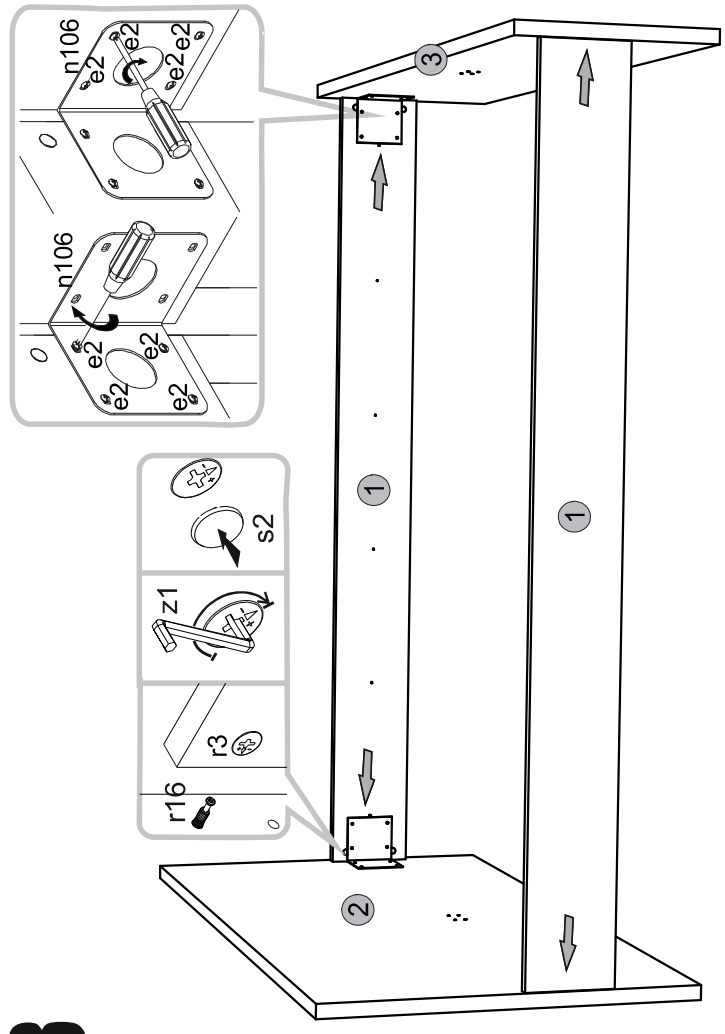
Element symbol	Dimensions			Code	Package
	200	2000	22		
1	200	2000	22	NS-101A	2/2
2	850	1454	16/32	NS-130A	1/1
3	455	1454	16/32	NS-131A	1/1
4	1880	30	25		2/2
5	1980	70	27		2/2
6	285	70	27		2/2
7	686	2000	20		2/2



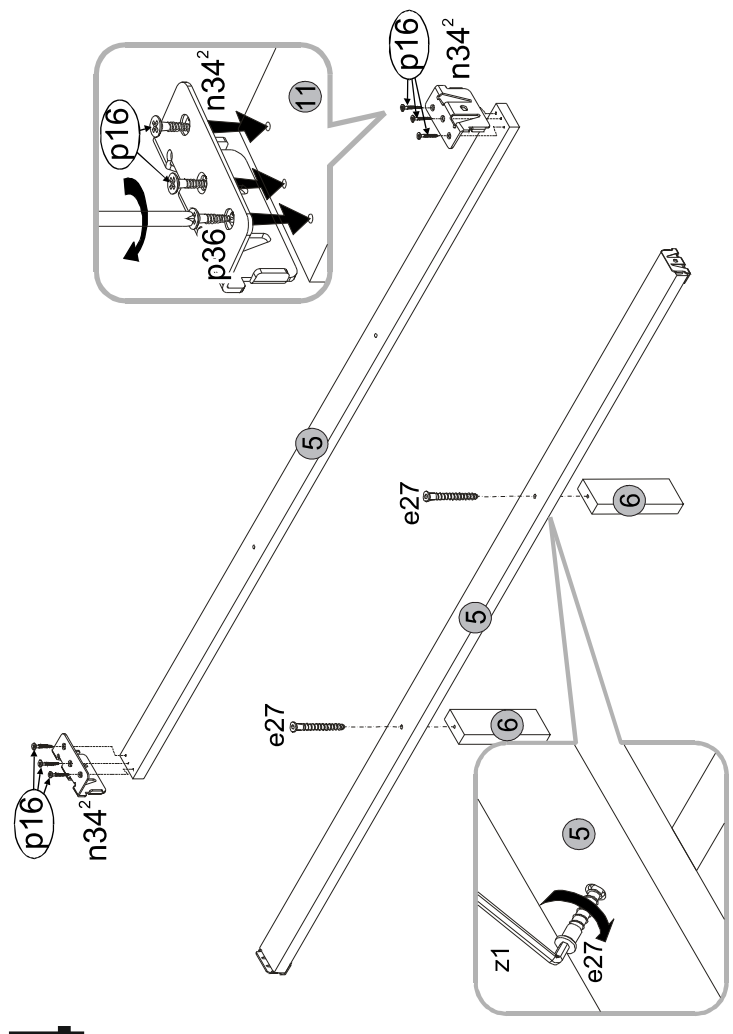
12x	12x	8x	8x	8x	8x	8x	2x	2x	2x
Ø4x5 mm	Ø4x5 mm	Ø16	Ø15.7 mm Ø16	Ø16	Ø16	Ø16	Ø7x30 mm	Ø7x30 mm	Ø7x30 mm
p11	n106	p21	s2	r3	r16	r3	e27	e27	n34
4x	12x	1x	1x	6x	6x	6x	6x	6x	6x
		e3	z1	p36	k1	n34	e2	e2	f1
		Ø6x3 mm	Ø6x3 mm	Ø6x3 mm	Ø6x3 mm	Ø6x3 mm	Ø6x3 mm	Ø6x3 mm	Ø6x3 mm



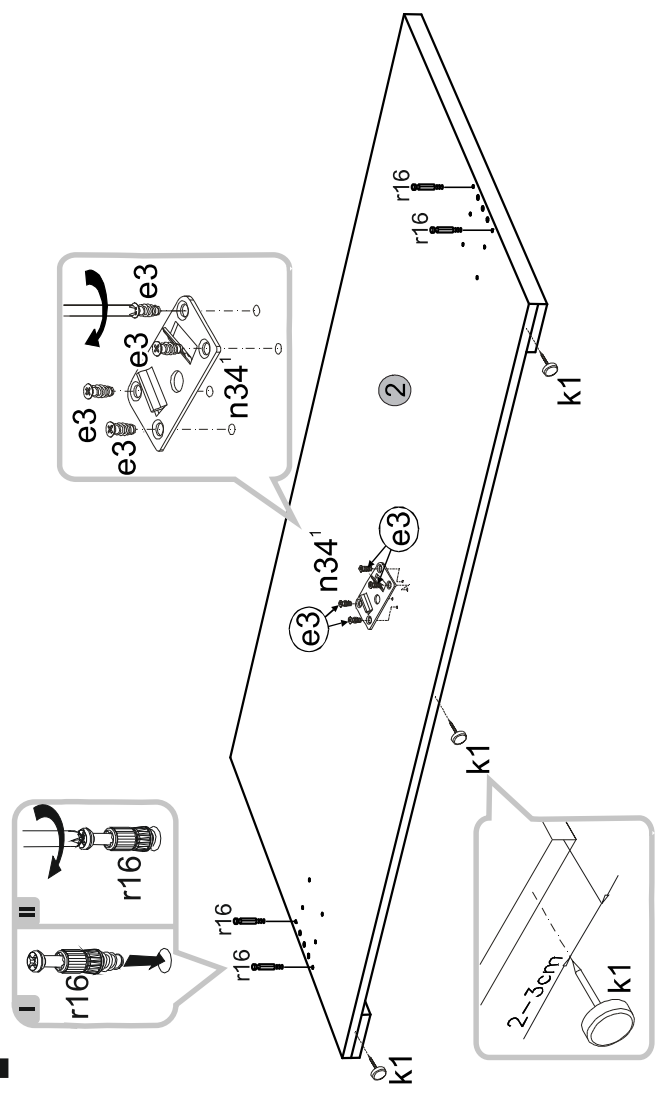
# 3



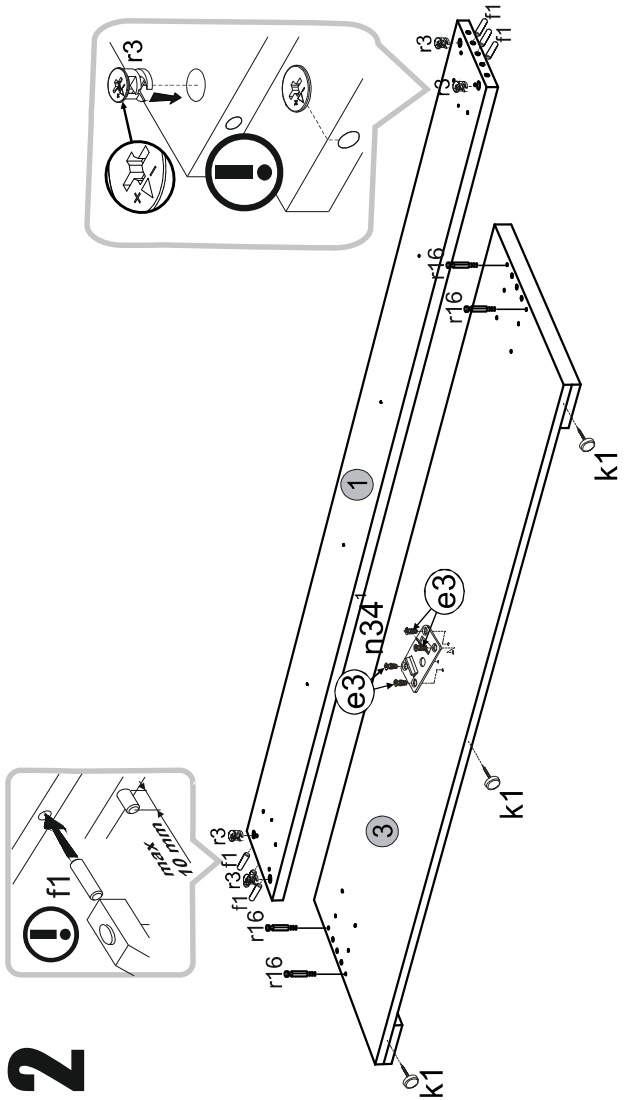
# 4

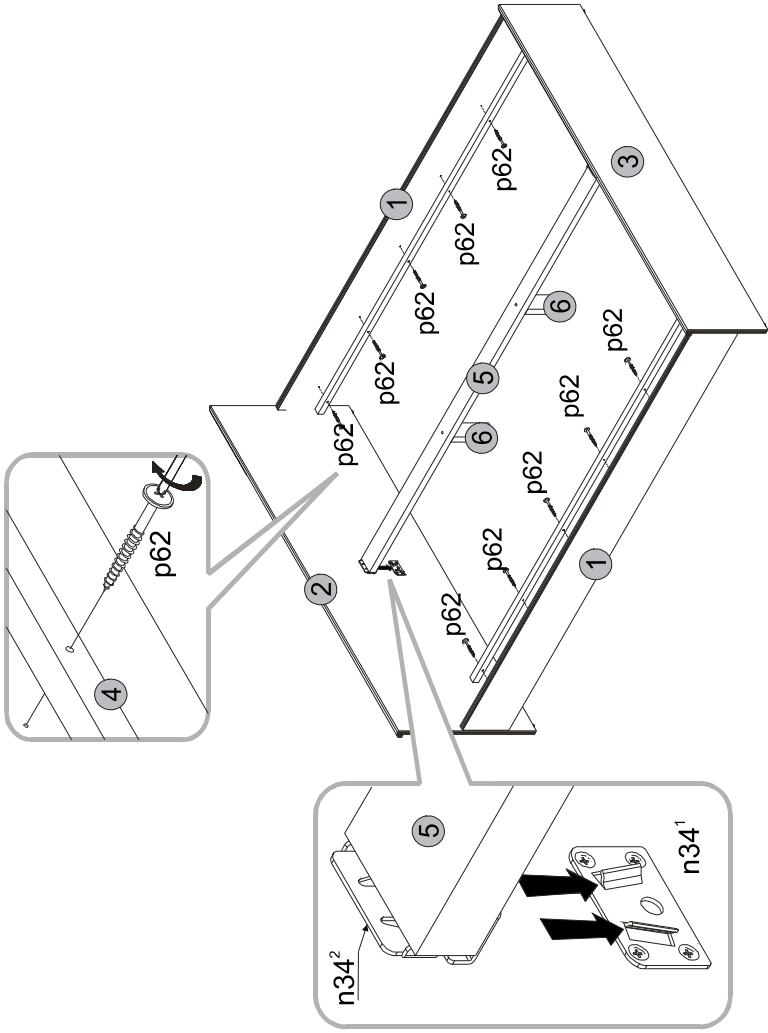


# 1

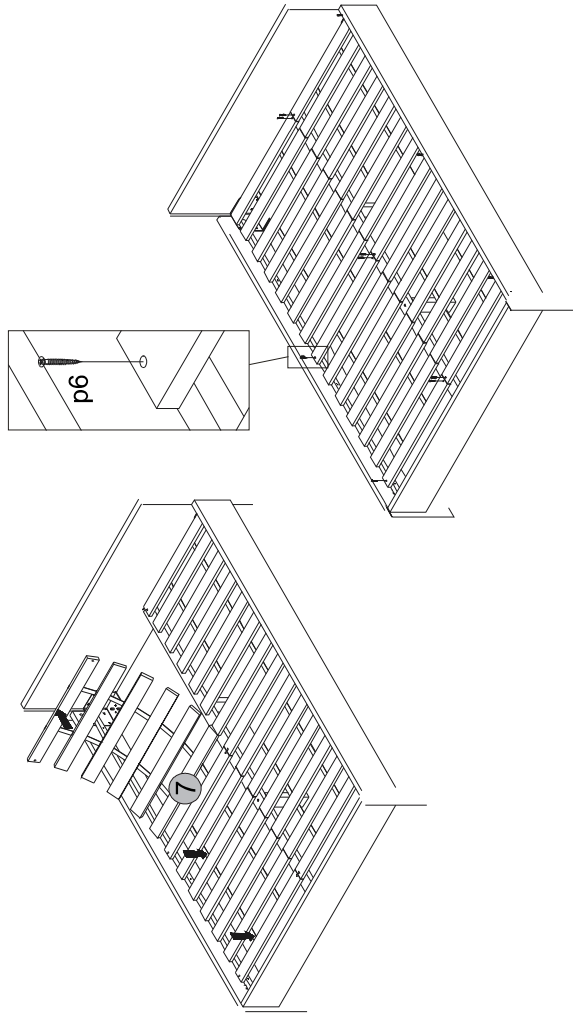


# 2





5



6