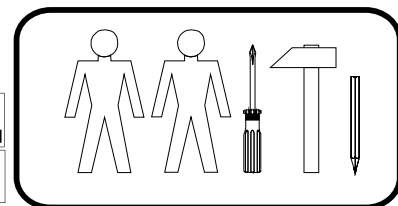
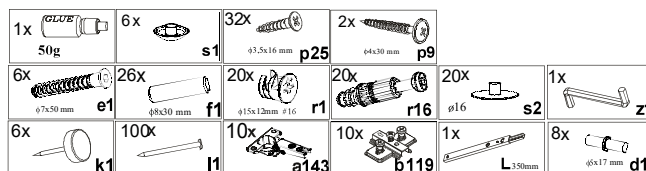
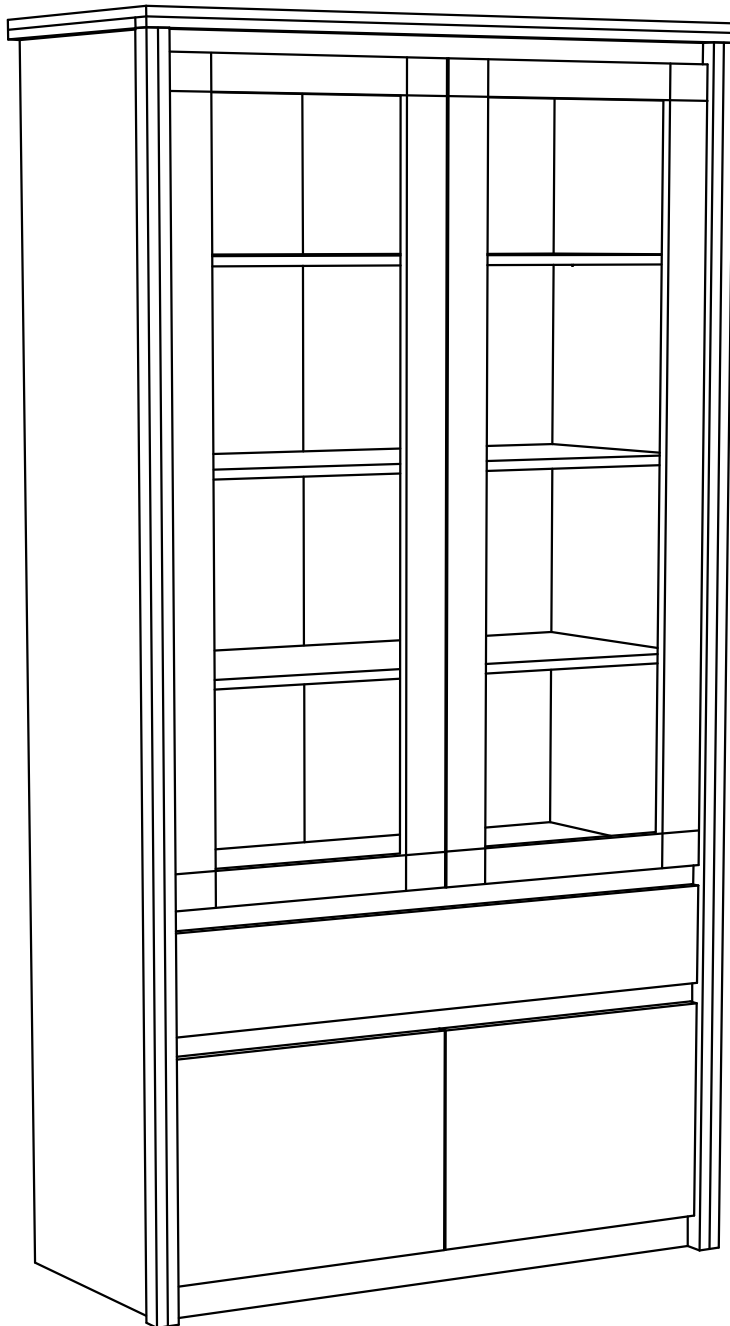
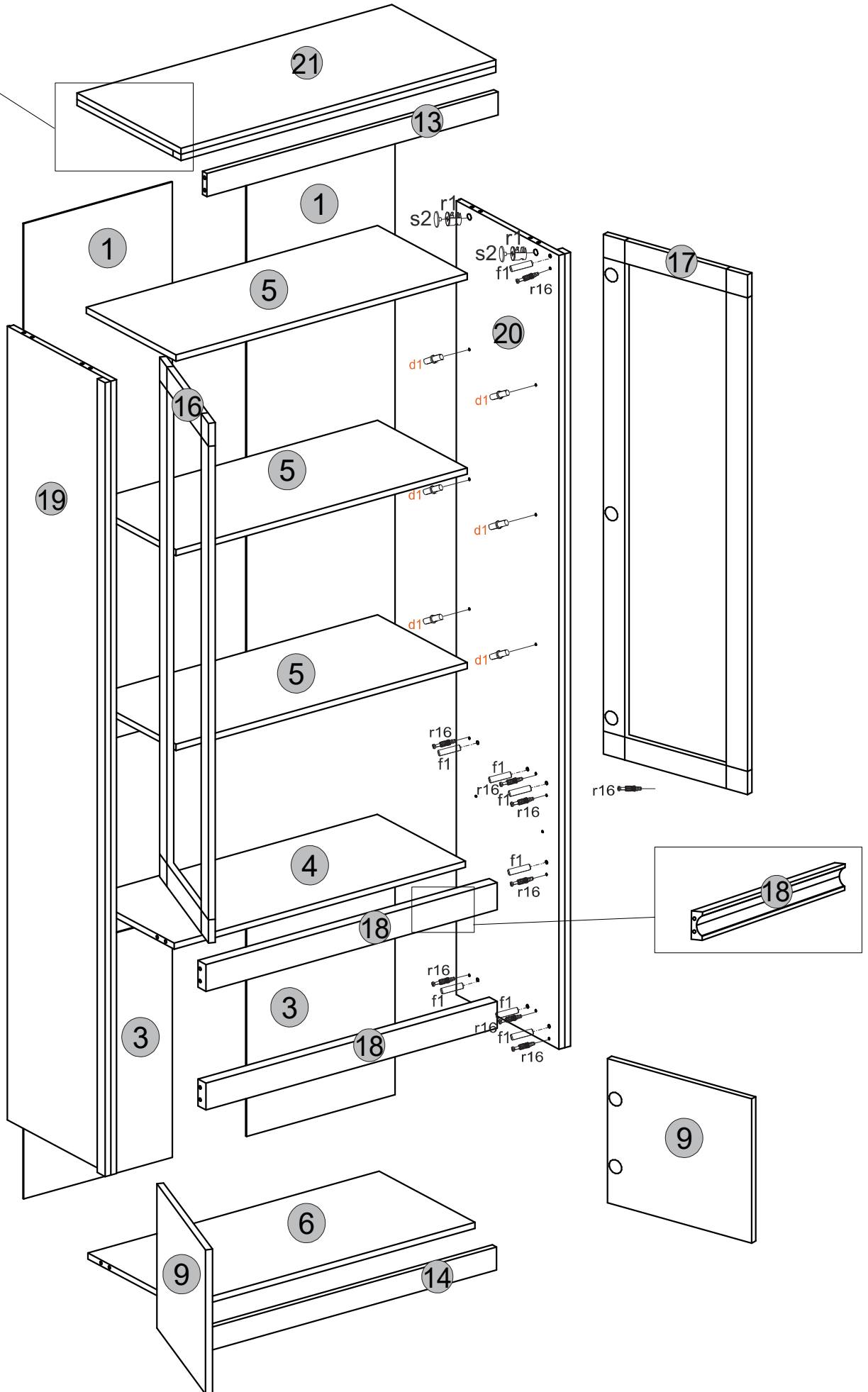
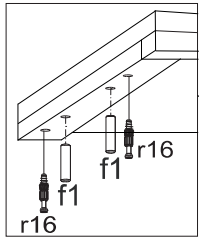
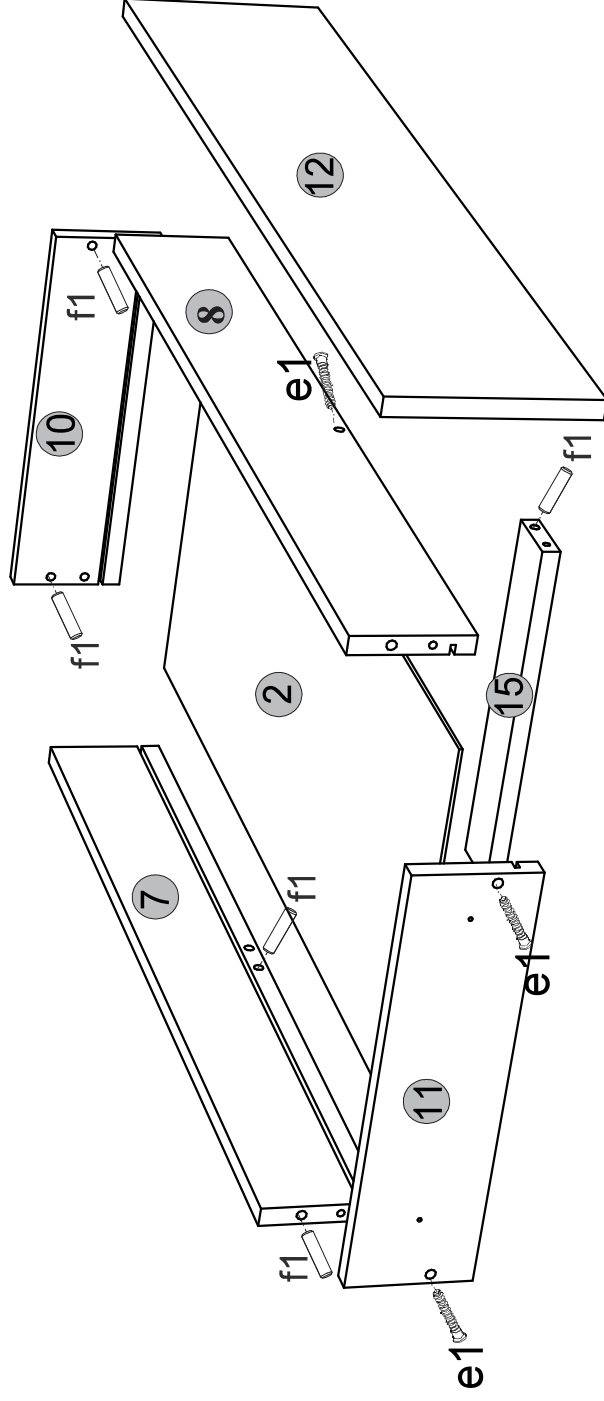


## Norton 2w2d1s

210/88/40







|    |       |      |     |          |   |
|----|-------|------|-----|----------|---|
| 1  | K-627 | 1407 | 415 | 3        | 2 |
| 2  | K-628 | 771  | 332 | 3        | 1 |
| 3  | K-629 | 626  | 415 | 3        | 2 |
| 4  | K-331 | 814  | 345 | 16       | 1 |
| 5  | K-332 | 814  | 345 | 16       | 3 |
| 6  | K-334 | 814  | 369 | 16       | 1 |
| 7  | K-537 | 757  | 100 | 16       | 1 |
| 8  | K-538 | 757  | 100 | 16       | 1 |
| 9  | K-018 | 376  | 403 | 16       | 2 |
| 10 | K-539 | 350  | 100 | 16       | 1 |
| 11 | K-540 | 350  | 100 | 16       | 1 |
| 12 | K-019 | 170  | 808 | 16       | 1 |
| 13 | K-430 | 60   | 814 | 16       | 1 |
| 14 | K-431 | 60   | 814 | 16       | 1 |
| 15 | K-432 | 60   | 318 | 16       | 1 |
| 16 | K-020 | 1354 | 403 | 16       | 1 |
| 17 | K-021 | 1354 | 403 | 16       | 1 |
| 18 | K-433 | 70   | 814 | 30       | 2 |
| 19 | K-138 | 2068 | 398 | 16/32    | 1 |
| 20 | K-139 | 2068 | 398 | 16/32    | 1 |
| 21 | K-212 | 880  | 400 | 16/32/32 | 1 |