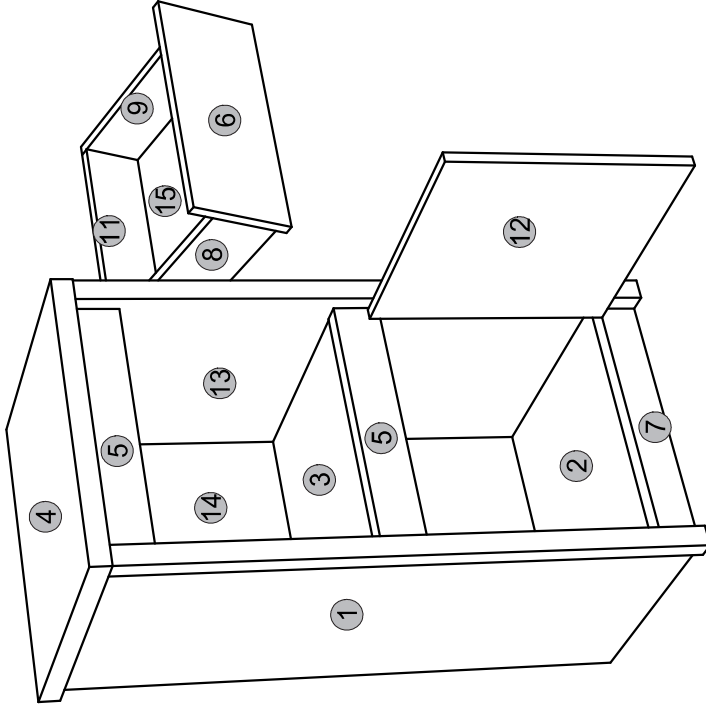
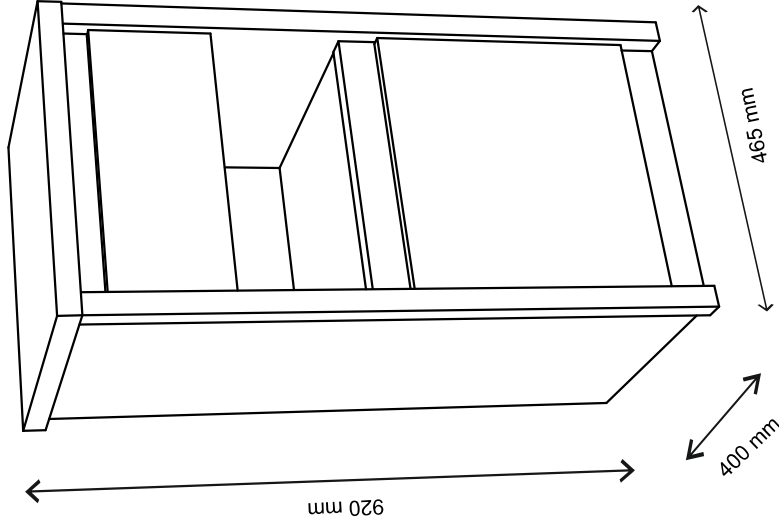
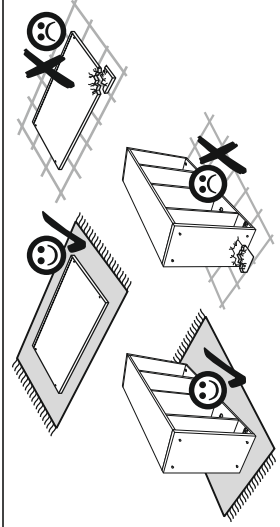
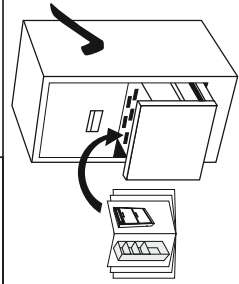
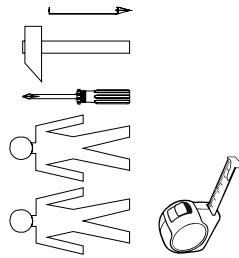
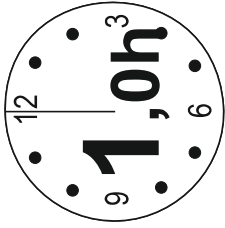
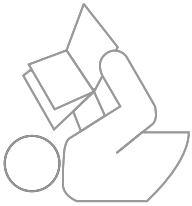
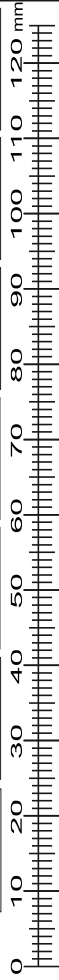
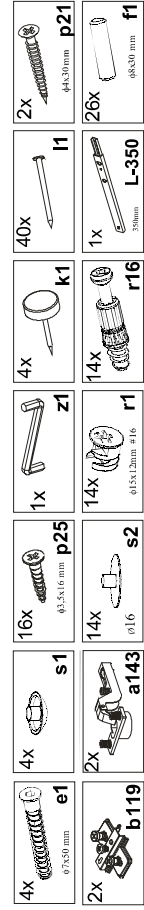


Installation manual

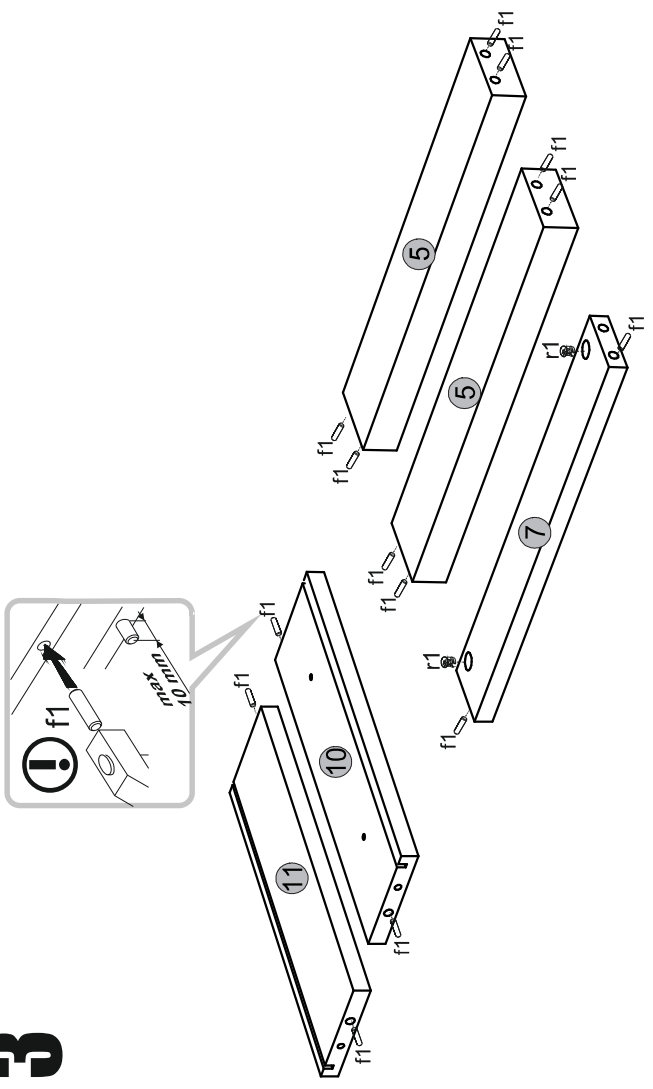
NORTON: KOM_1D1S



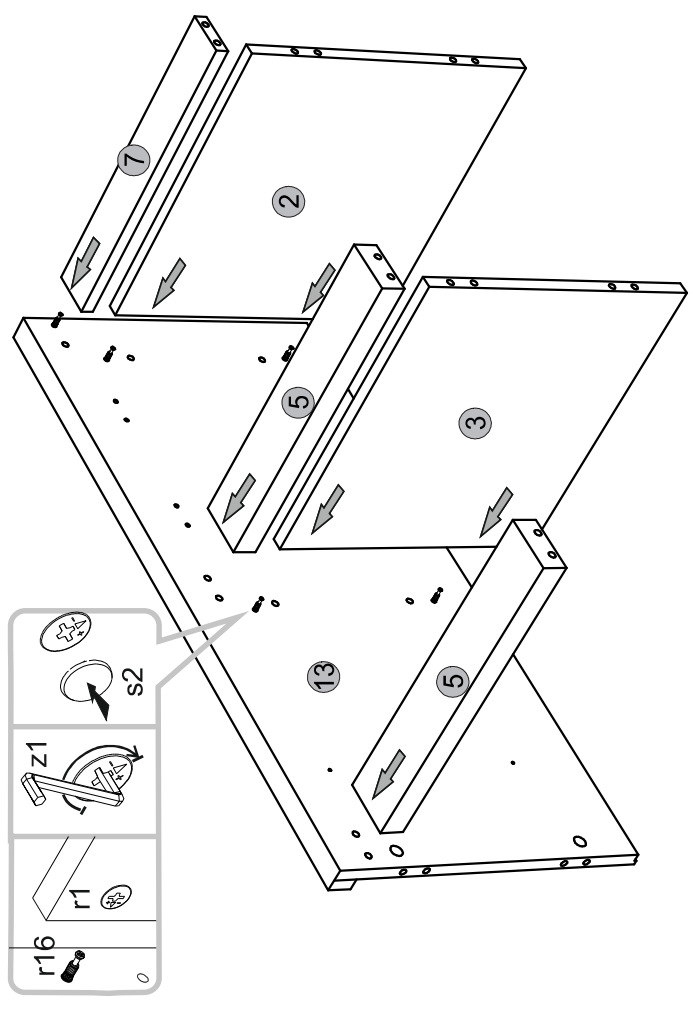
Element symbol	Dimensions	Code	Package
1	398 16/32	N-011	1/1
2	369 16	N-001	1/1
3	398 16	N-002	1/1
4	464 16/32/32	N-012	1/1
5	70 398 30	N-013	1/1
6	170 392 16	N-008	1/1
7	60 398 16	N-009	1/1
8	350 110 16	N-004	1/1
9	350 110 16	N-005	1/1
10	341 110 16	N-006	1/1
11	341 110 16	N-007	1/1
12	376 392 16	N-003	1/1
13	884 398 16/32	N-010	1/1
14	849 416 3	N-014	1/1
15	355 332 3	N-015	1/1



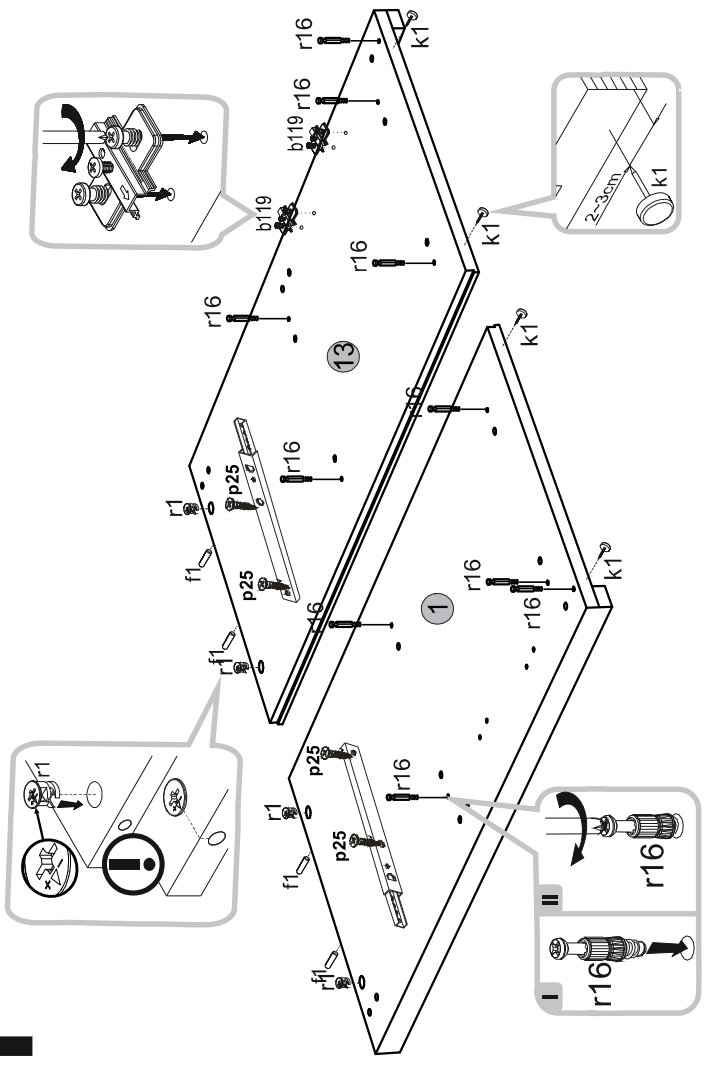
3



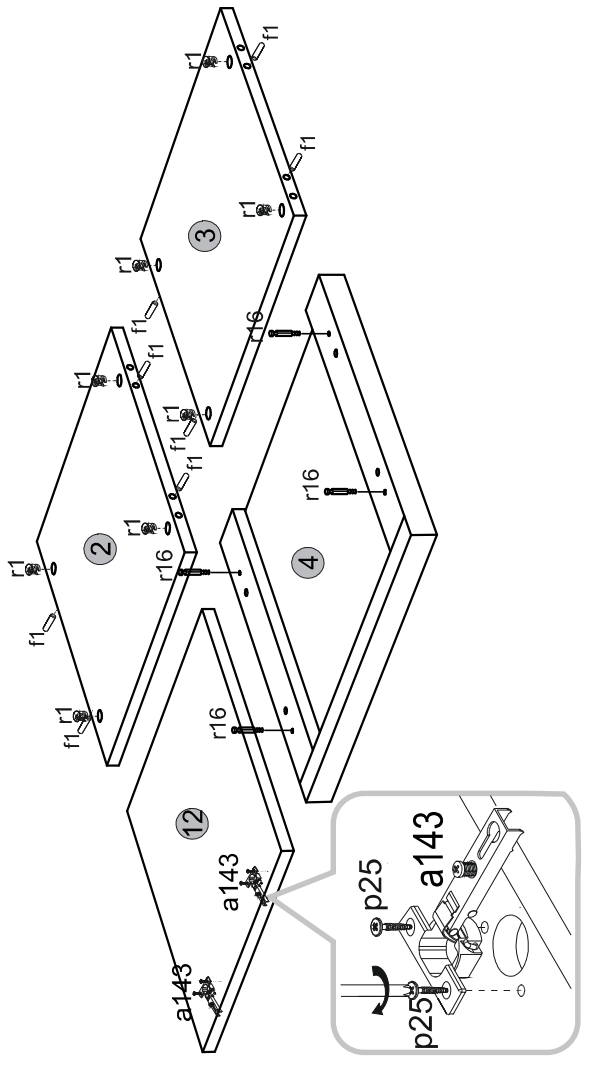
4



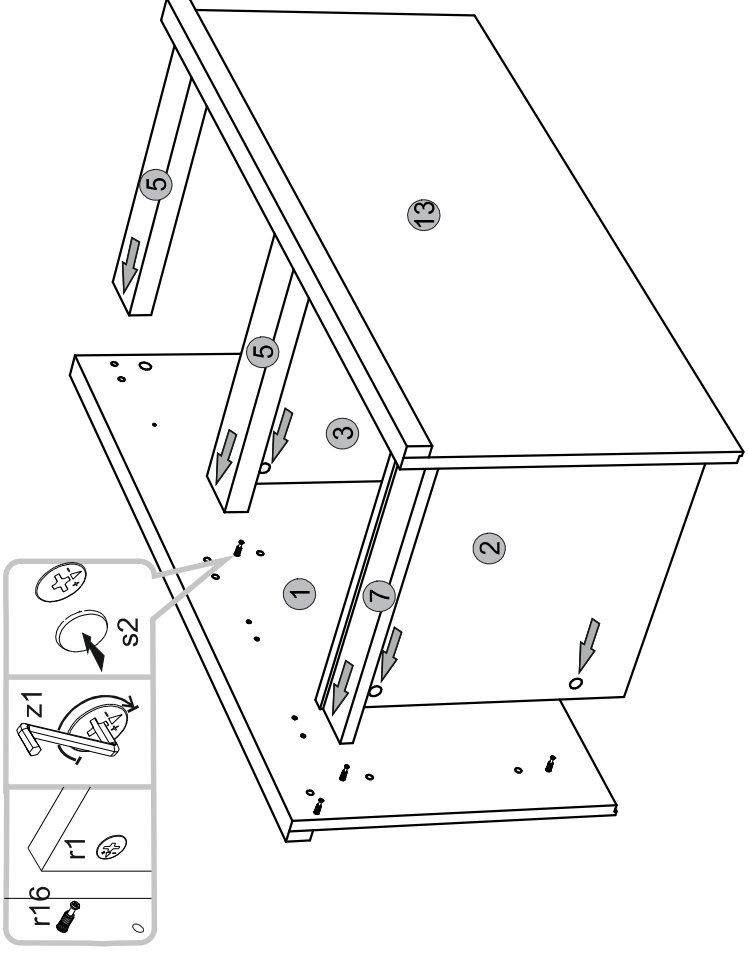
1



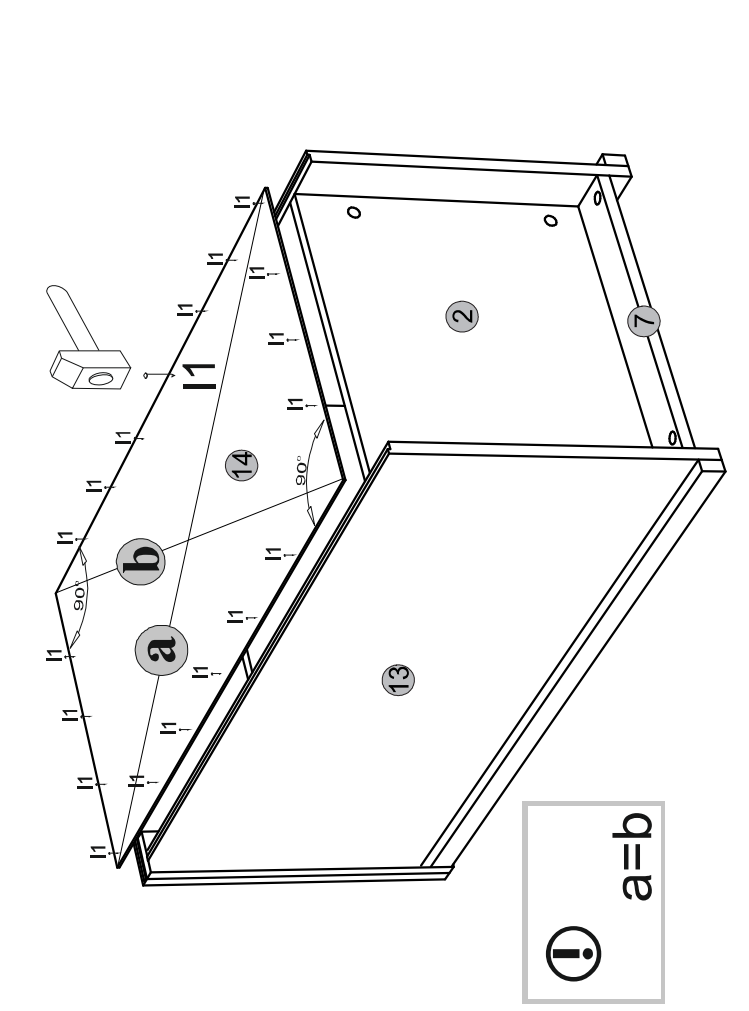
2



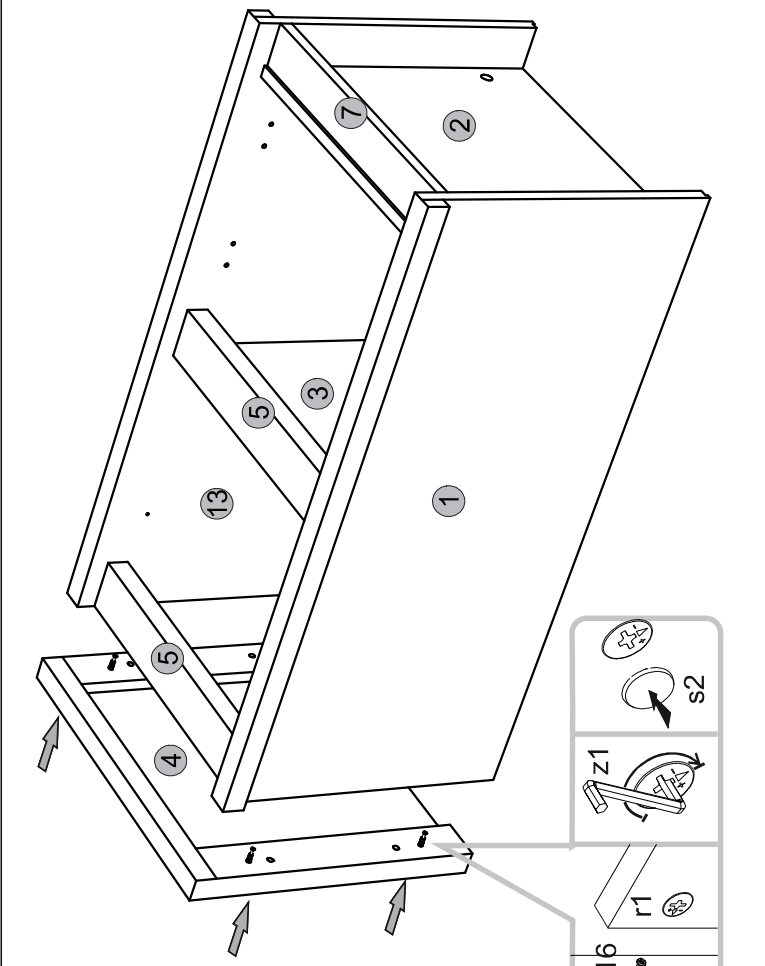
5



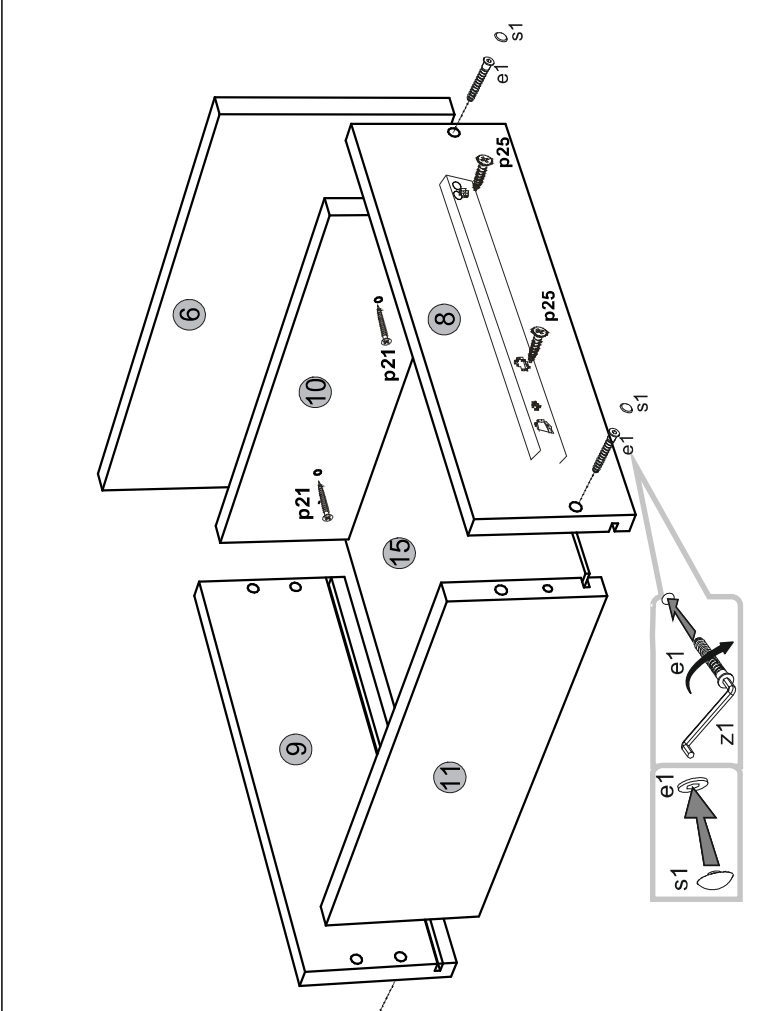
7



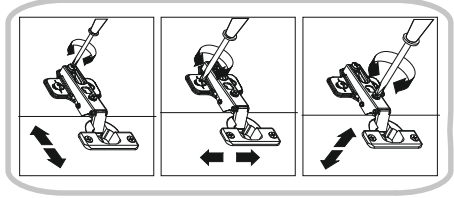
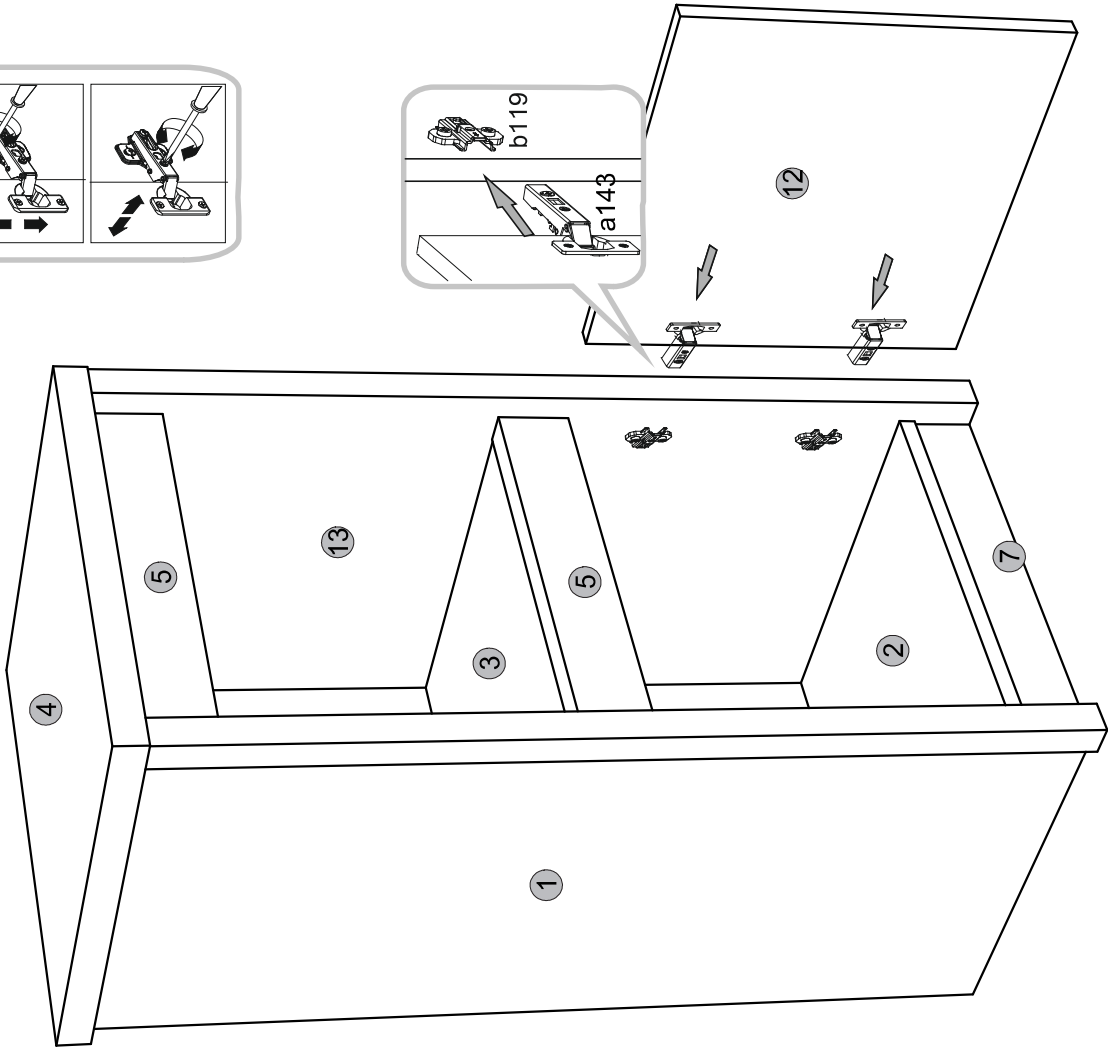
6



8



9



10

