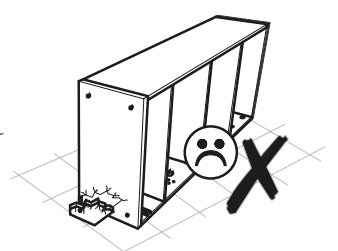
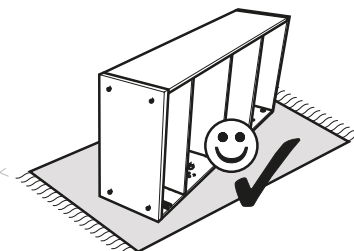
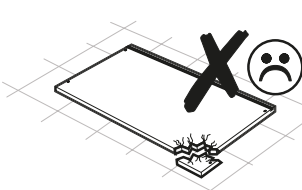
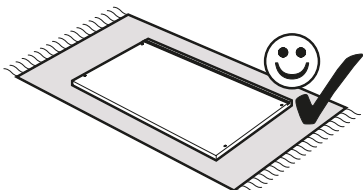
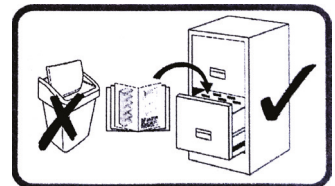
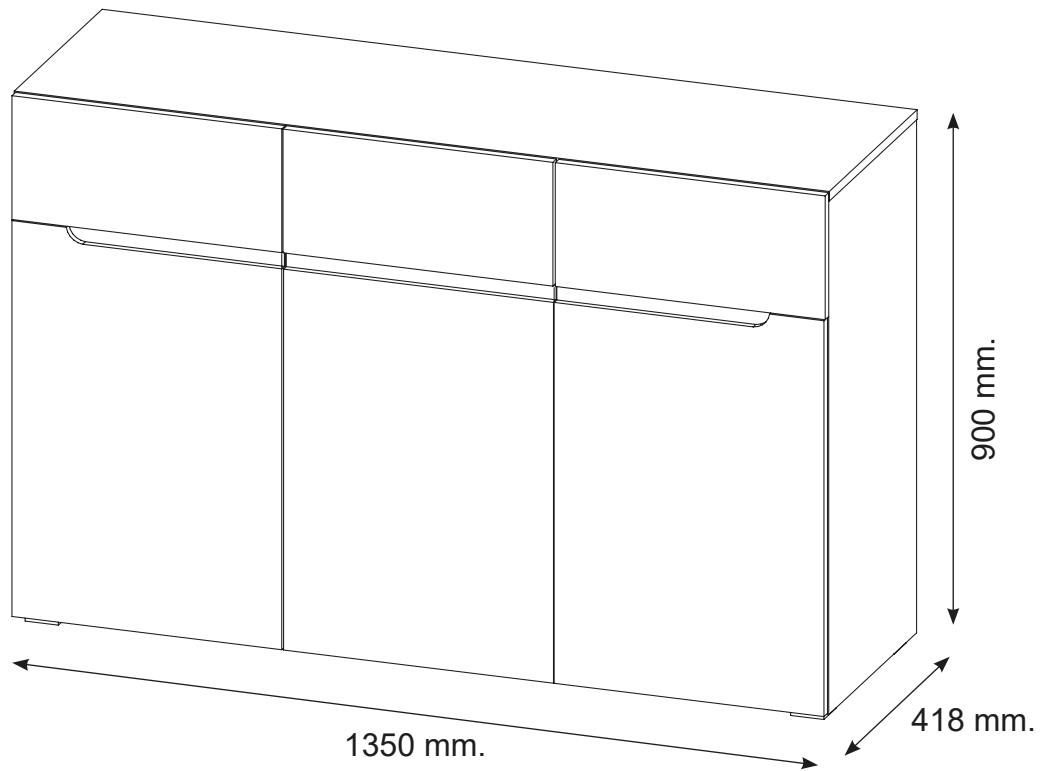
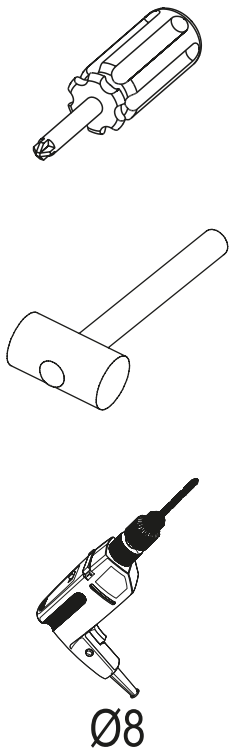
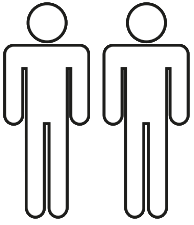
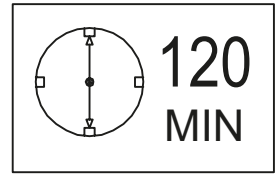



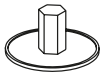





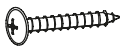



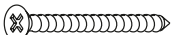

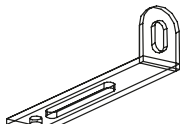
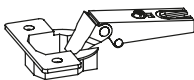
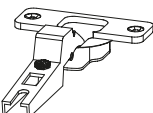
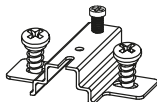

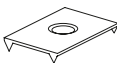
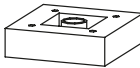


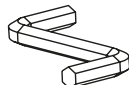
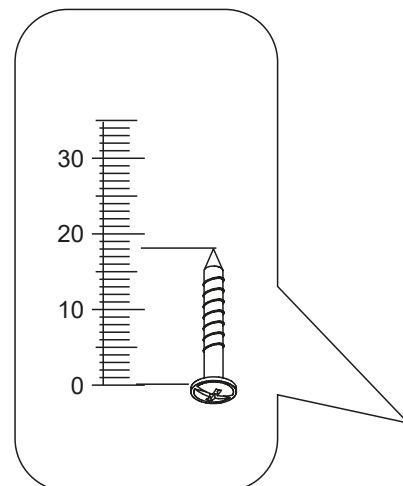
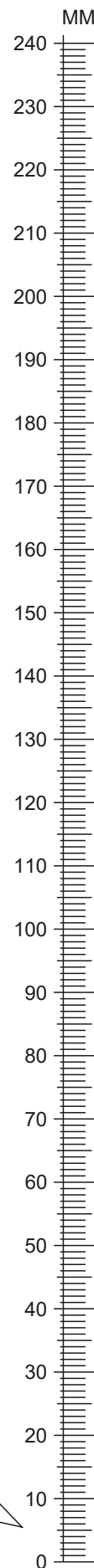


# YOLK



# YOLK

<b>A0</b>  <b>x28</b>	<b>B0</b>  <b>x12</b>	<b>B1</b> 6,4 x 50 mm  <b>x12</b>
<b>C0</b>  <b>x24</b>	<b>C1</b>  <b>x28</b>	<b>C2</b>  <b>x28</b>
<b>D0</b> 3 x 15 mm  <b>x32</b>	<b>D10</b> 4 x 16 mm  <b>x12</b>	<b>D11</b> 4 x 25 mm  <b>x24</b>
<b>D17</b> 3,5 x 16 mm  <b>x10</b>	<b>D20</b> EURO 5 x 13 mm  <b>x42</b>	<b>H0</b>  <b>x12</b>
<b>N22</b> L-350  <b>x6</b>	<b>E4</b> 5 x 50 mm  8 x 50 mm  <b>x2</b>	<b>I1</b>  <b>x2</b>
<b>G1A</b>  <b>x4</b>	<b>G2A</b>  <b>x2</b>	<b>G1B</b>  <b>x6</b>
<b>F0</b>  <b>x32</b>	<b>F10</b>  <b>x6</b>	<b>T0</b>  <b>x6</b>
<b>M0</b> Ø35  <b>x2</b>	<b>U0</b>  <b>x12</b>	<b>Z</b>  <b>x1</b>



# YOLK

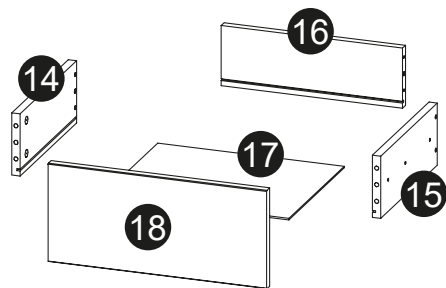
max.



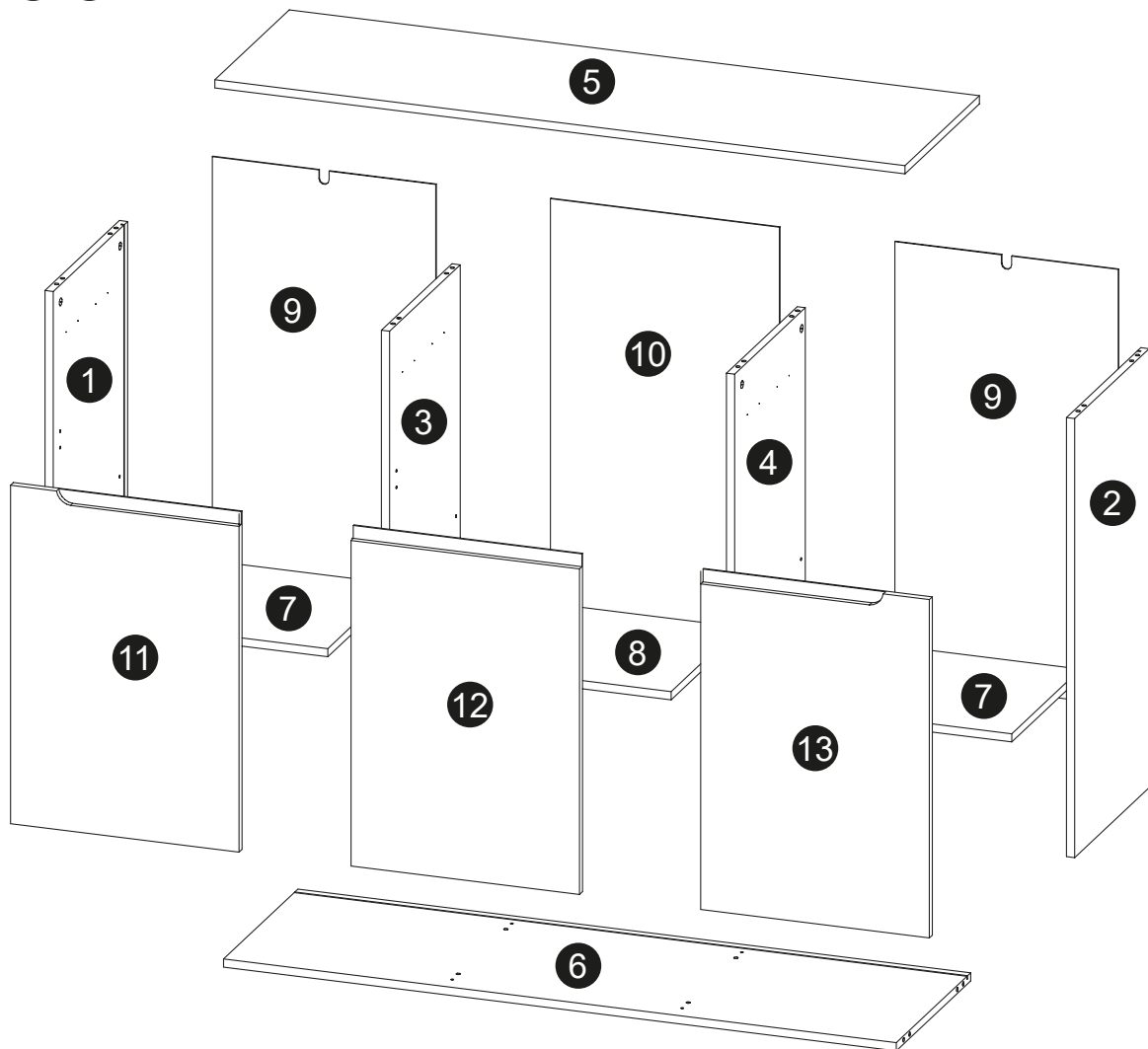
max.



max.








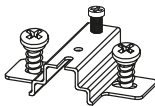
x3

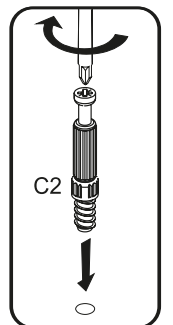
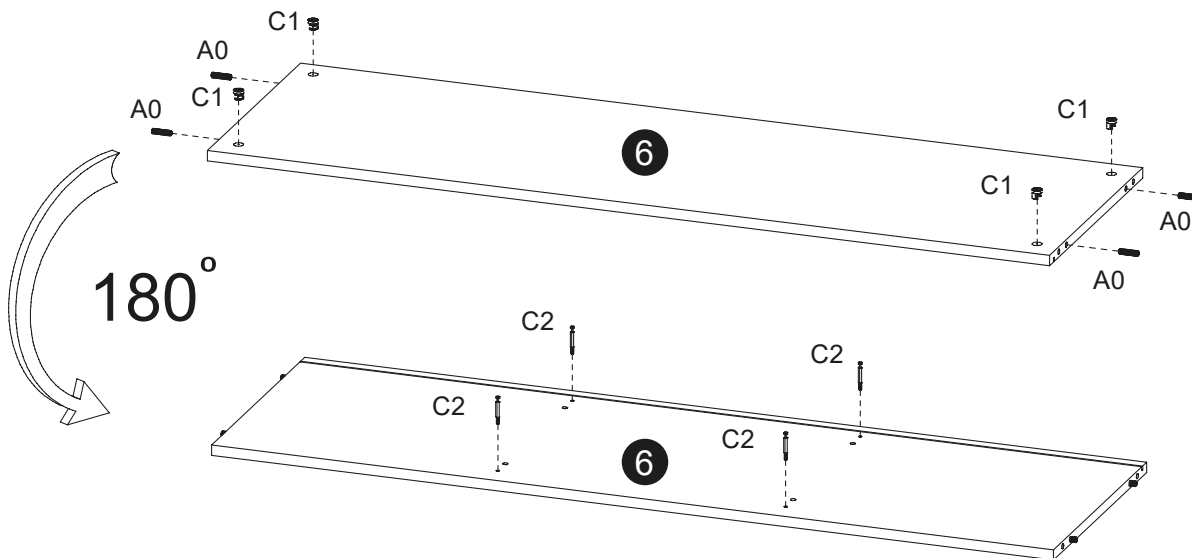
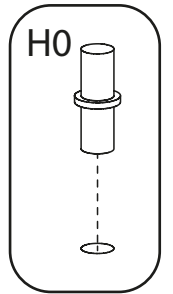
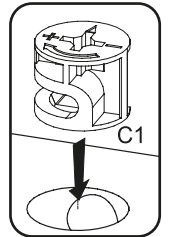
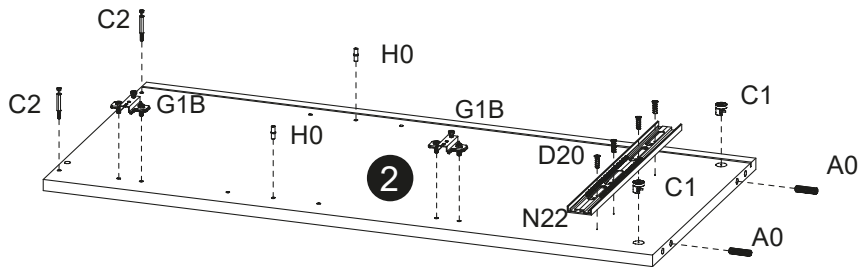
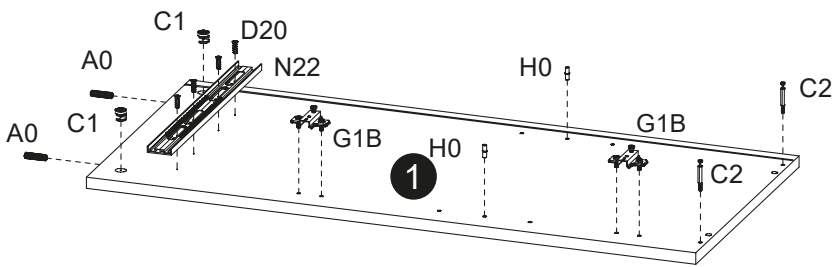
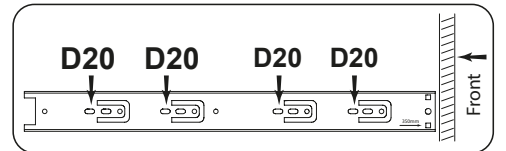
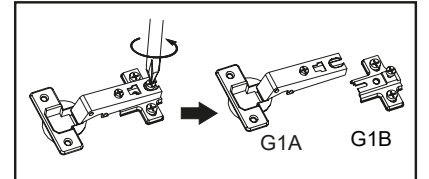
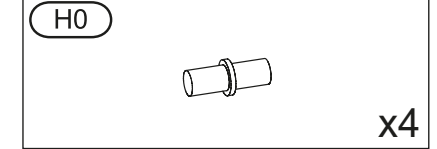
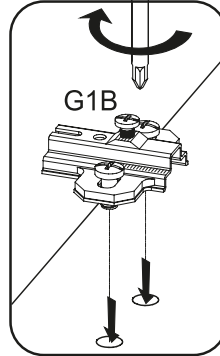
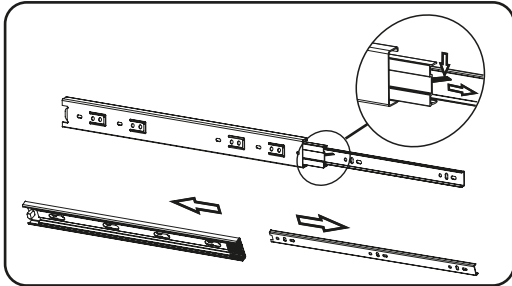


Colli 1/2: 5 9x2 10 11 12 13 17x3 18x3


Colli 2/2: 1 2 3 4 6 7x2 8 14x3 15x3 16x3

# 1

<b>A0</b>  x8	<b>C1</b>  x8	<b>C2</b>  x8
<b>D20</b> EURO 5 x 13 mm  x8	<b>N22</b> L-350  x2	<b>G1B</b>  x4

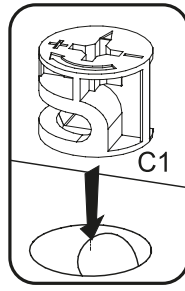
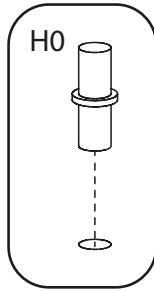
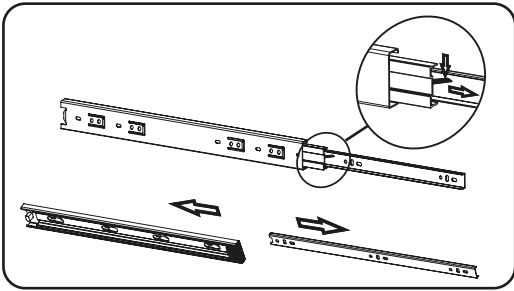



# 2

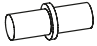
**A0**  
  
x8

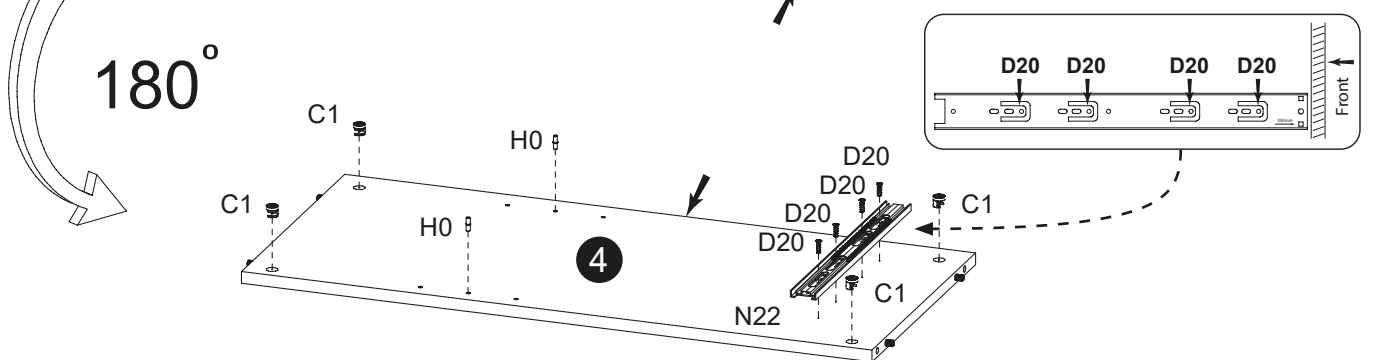
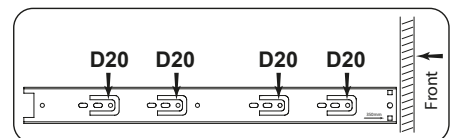
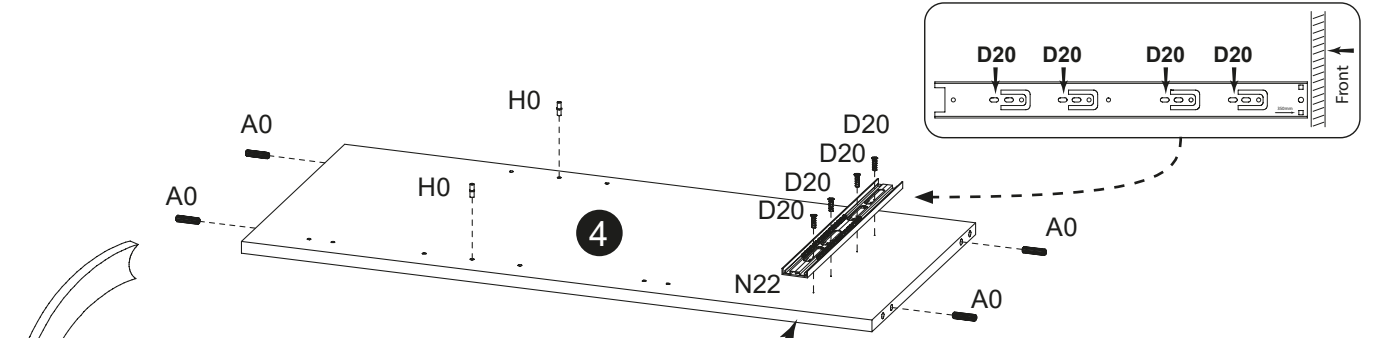
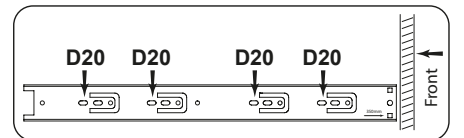
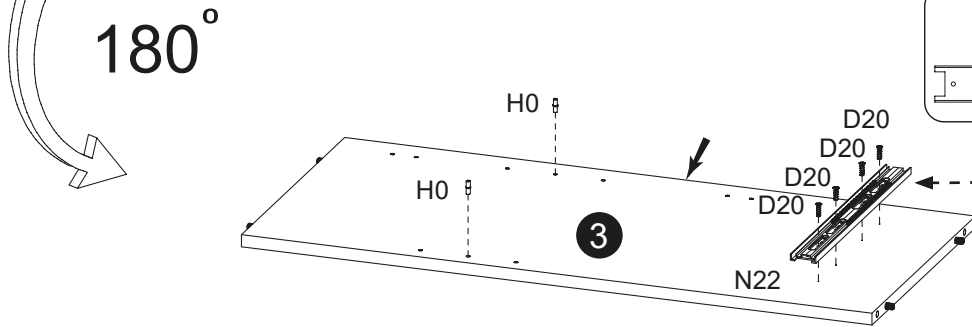
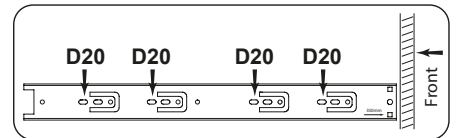
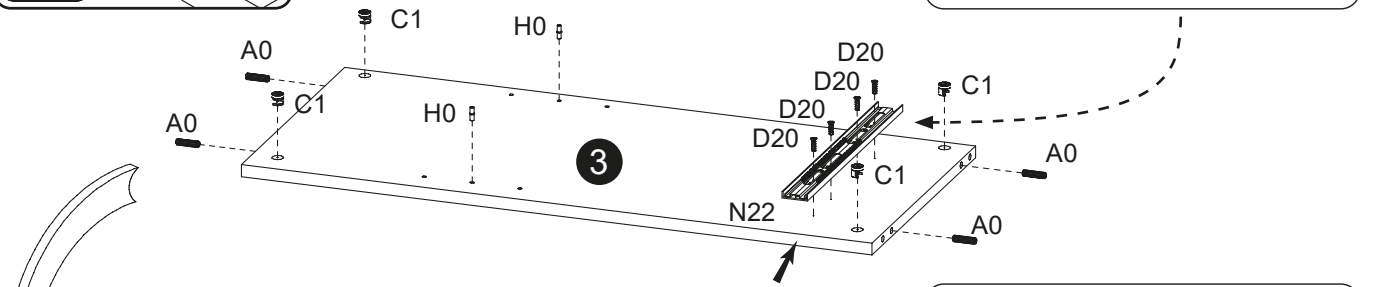
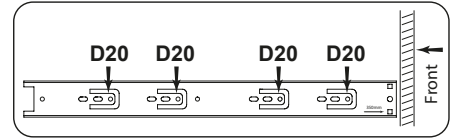
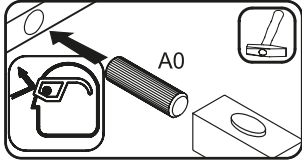
**C1**  
  
x8

**D20** EURO 5 x 13 mm  
  
x16


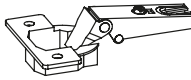
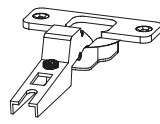





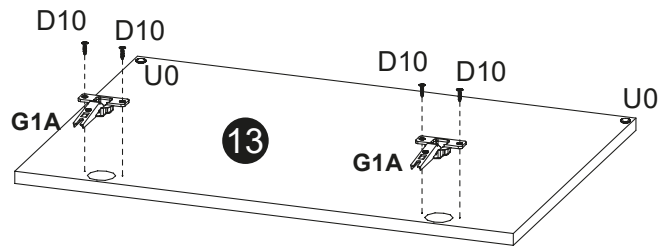
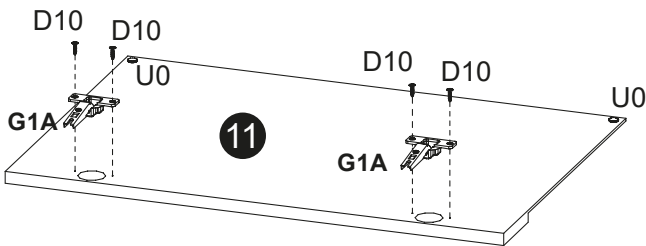
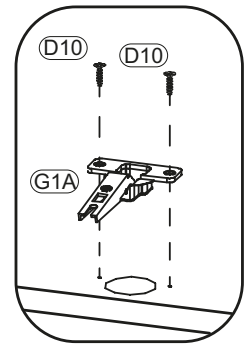
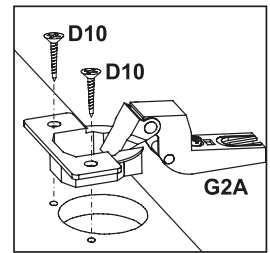
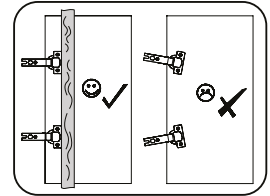
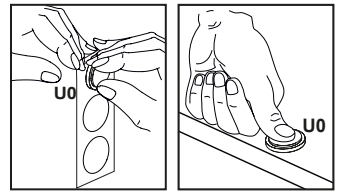
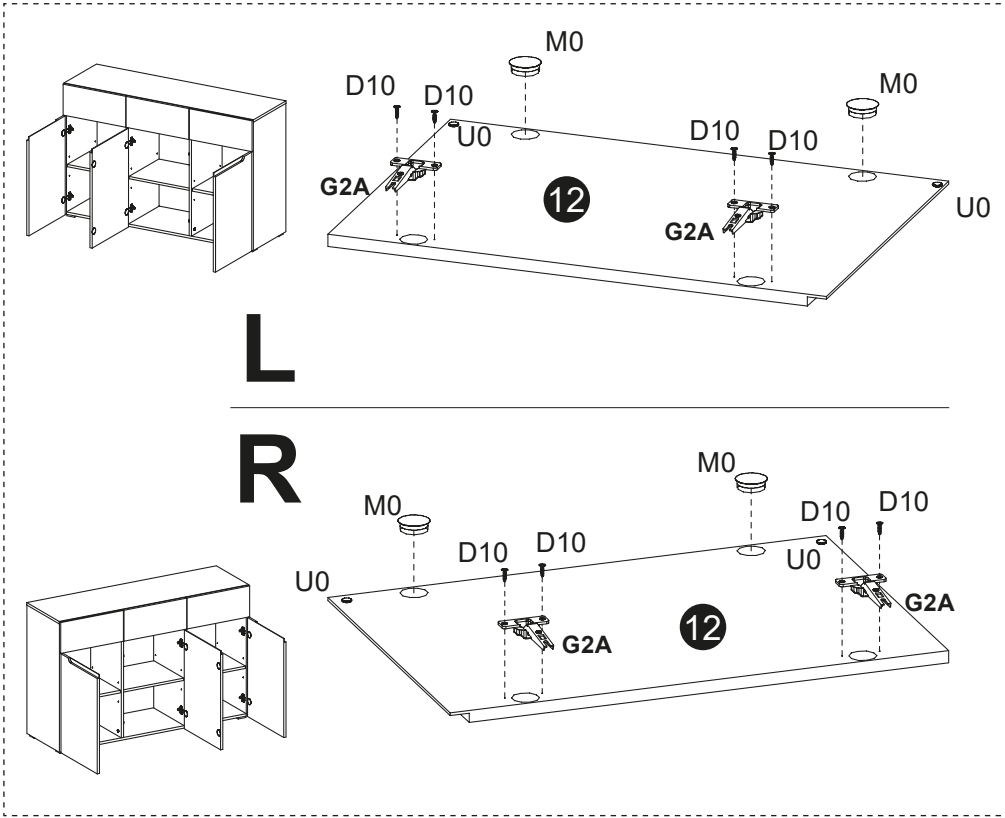
**N22** L-350  
  
x4

**H0**  
  
x8

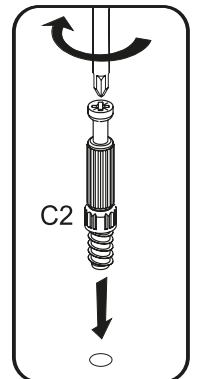
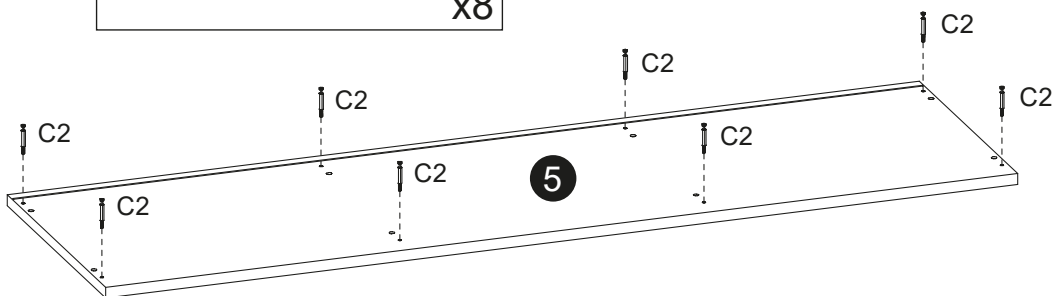
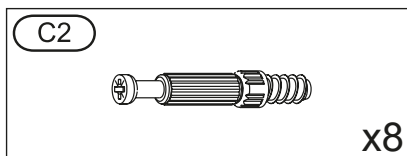


# 3

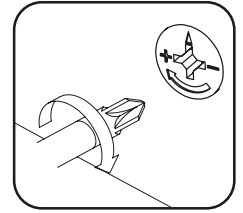
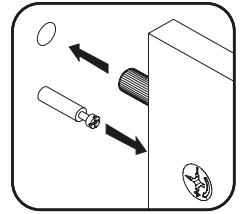
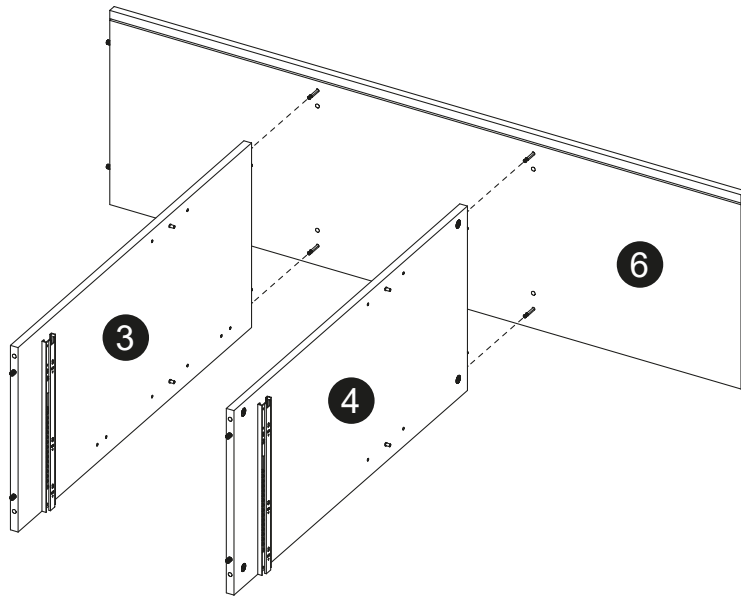
<b>(D10)</b> 4 x 16 mm  x12	<b>(G1A)</b>  x4	<b>(G2A)</b>  x2
<b>(M0)</b> Ø35  x2	<b>(U0)</b>  x6	



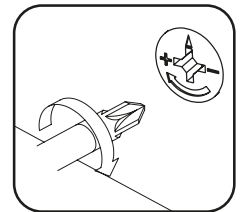
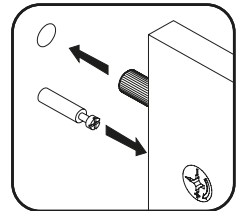
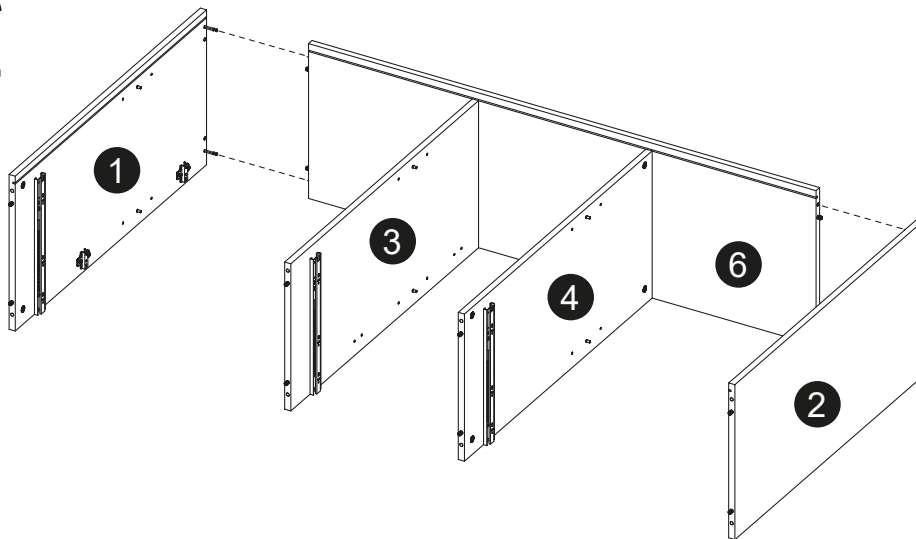
# 4



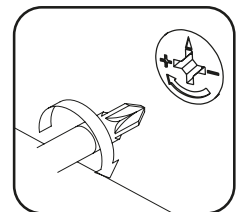
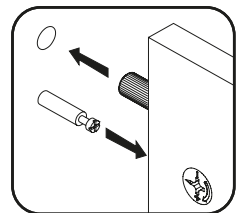
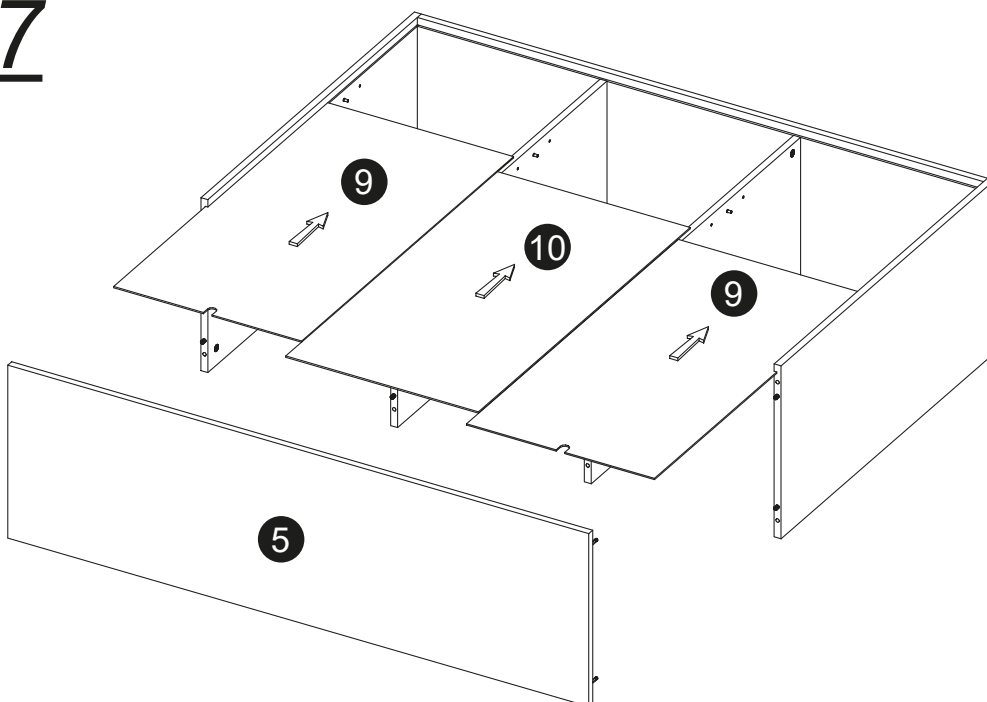
**5**




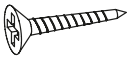
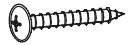
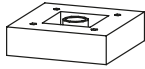


**6**

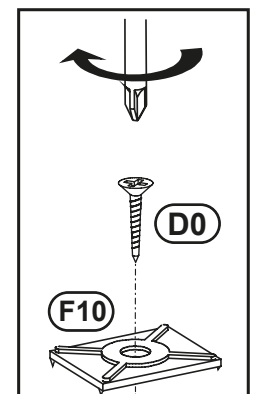
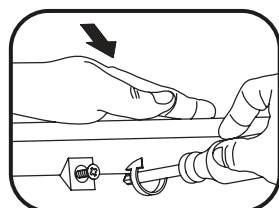
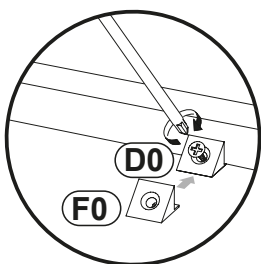
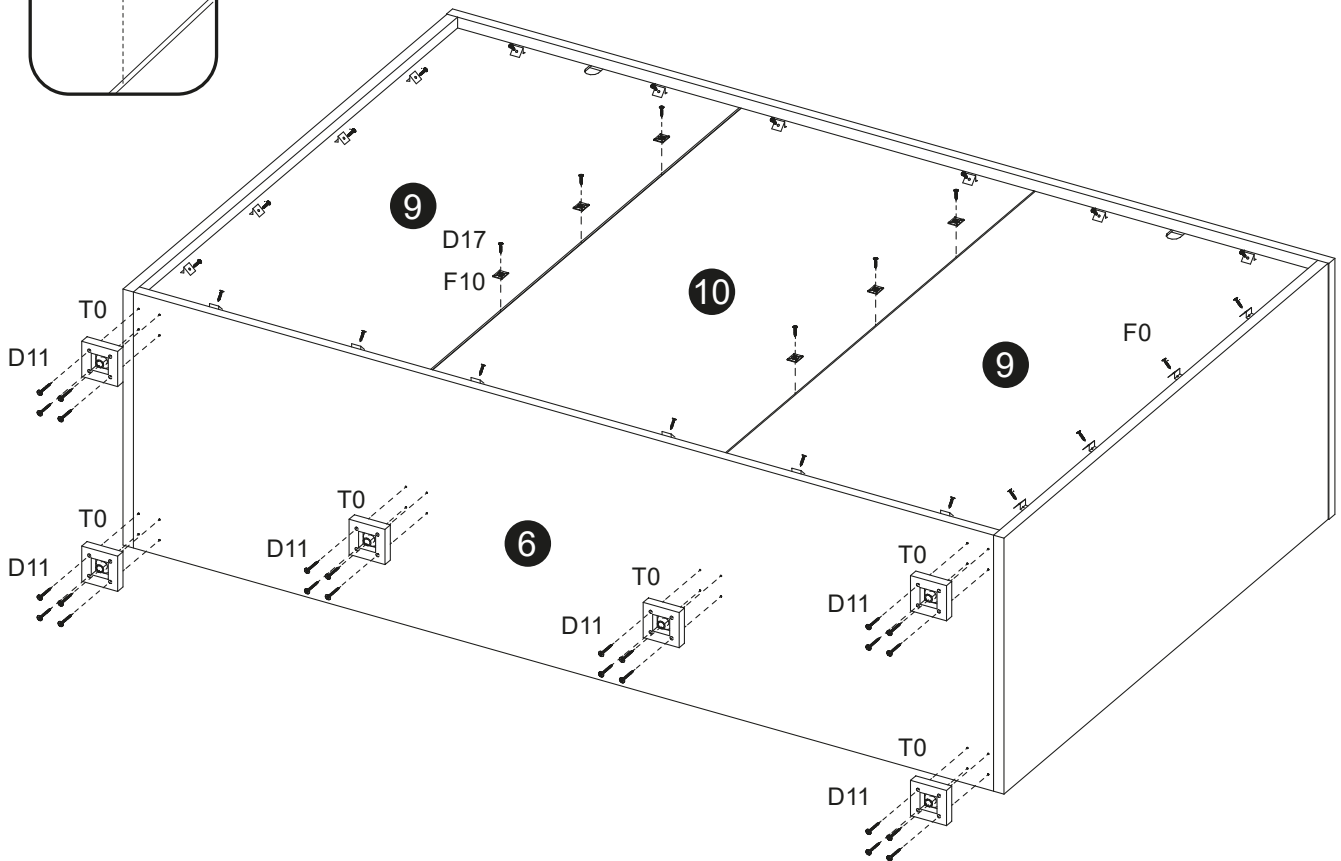
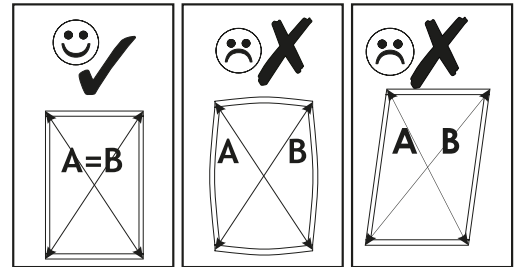
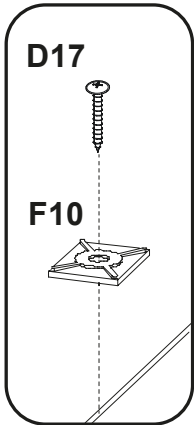


**7**



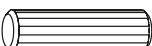
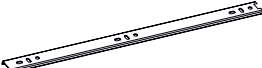
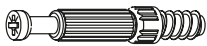

# 7


<b>D0</b>  3 x 15 mm x20	<b>D11</b>  4 x 25 mm x24	<b>D17</b>  3,5 x 16 mm x6
<b>T0</b>  x6	<b>F0</b>  x20	<b>F10</b>  x6



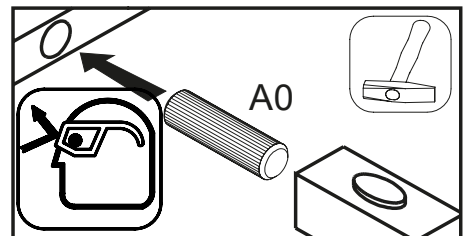
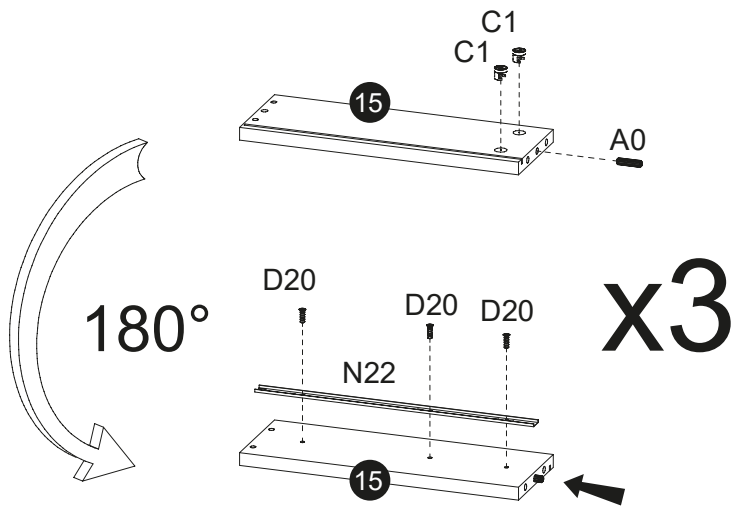
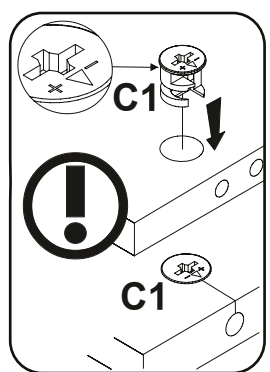
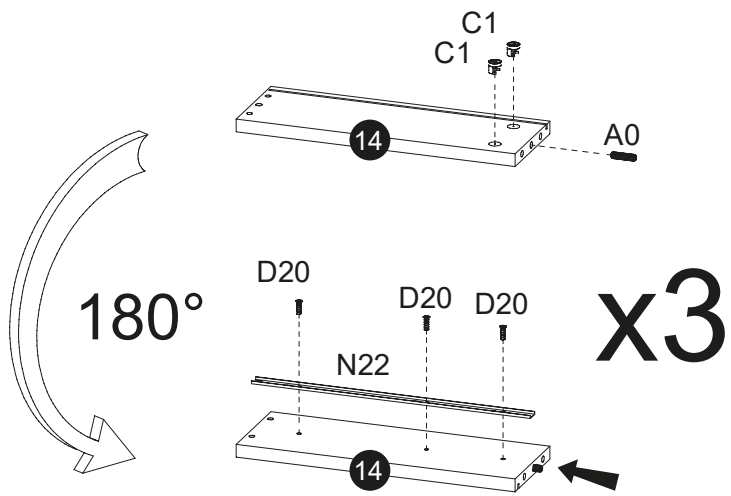
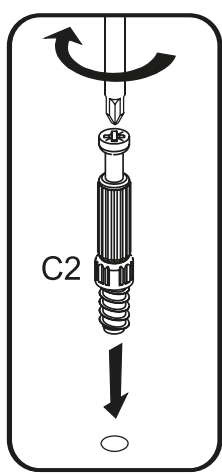
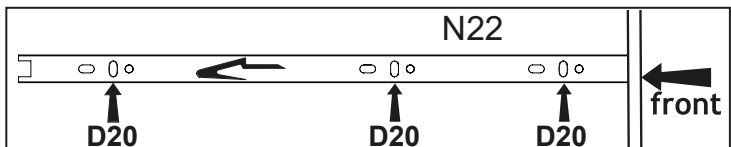
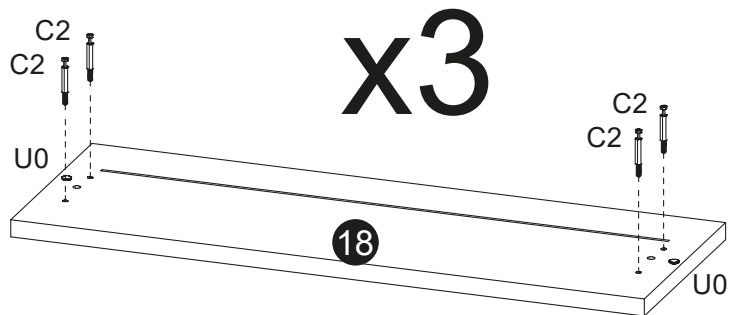


18



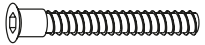

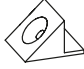
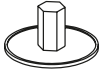
A0		x6
N22	L-350 	x6
C2		x12
U0		x6

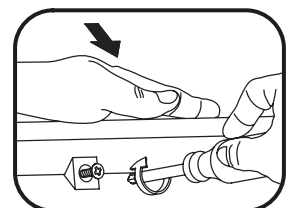
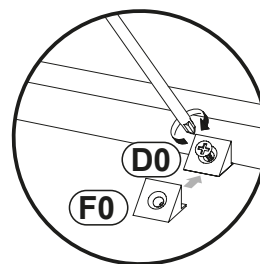
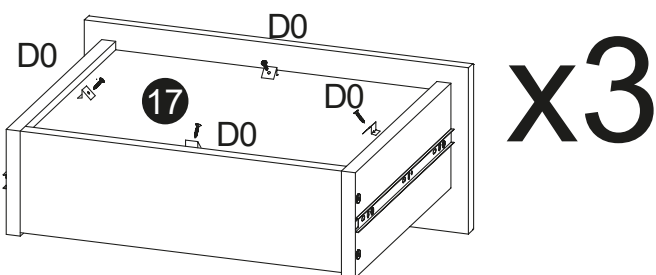
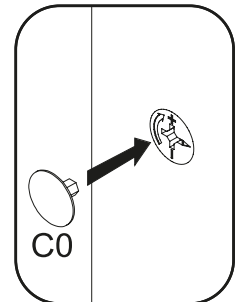
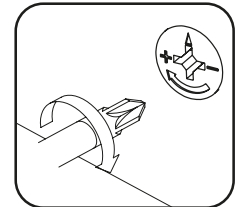
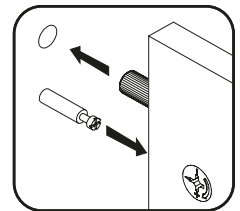
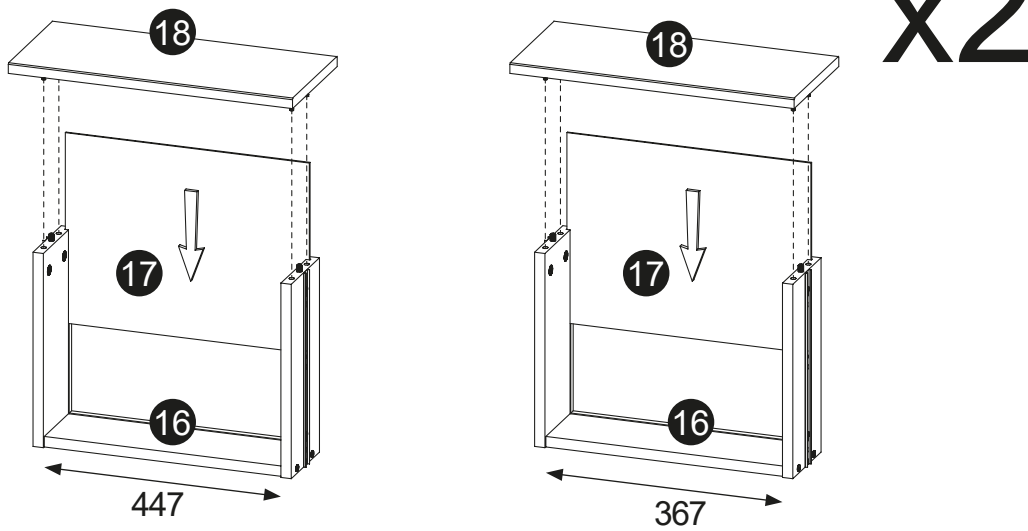
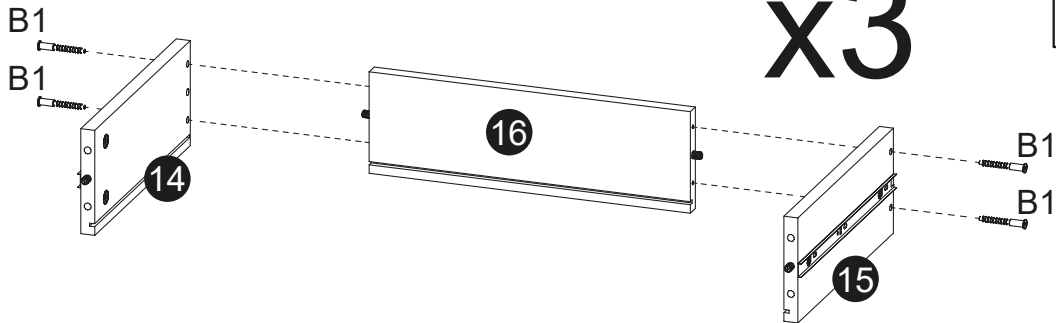
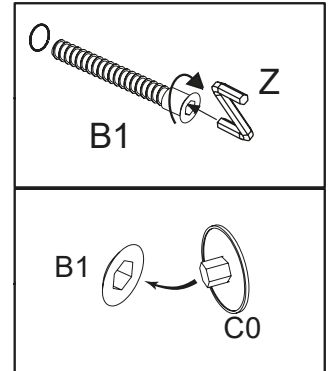
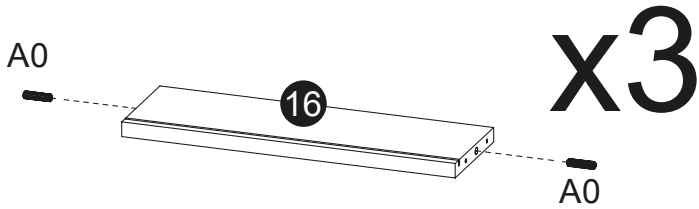
C1		x12
----	---	-----

D20	EURO 5 x 13 mm 	x18
-----	---	-----

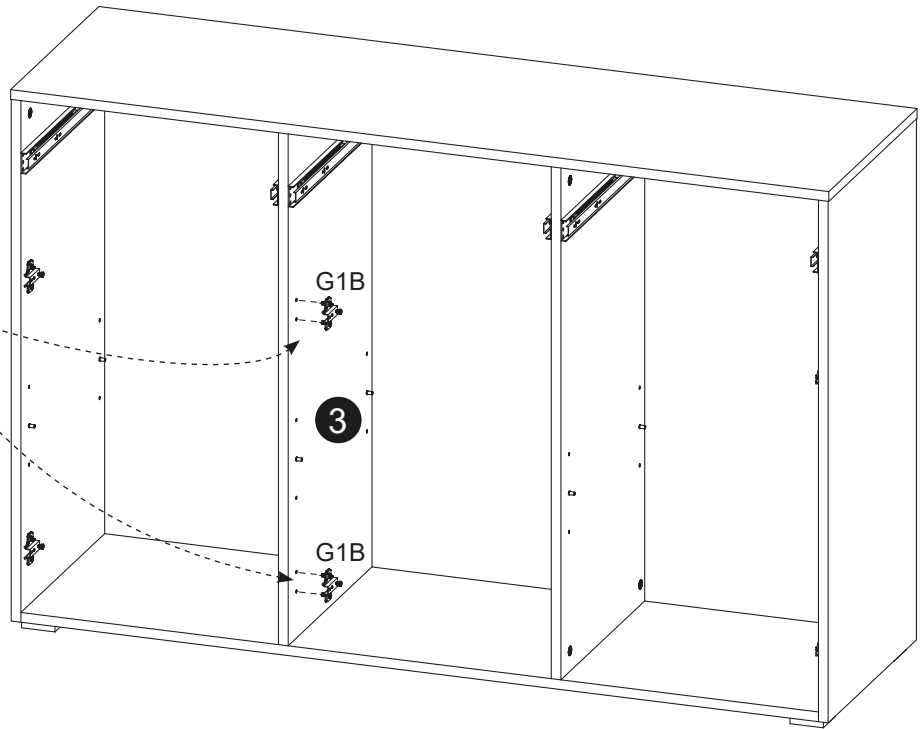
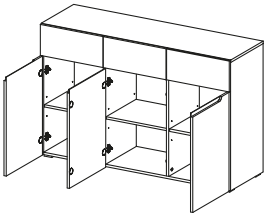
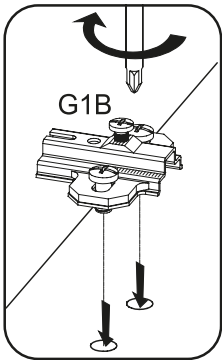
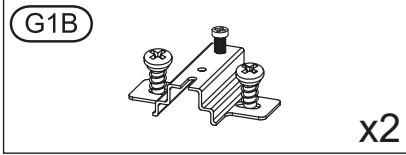


# 9

<p>A0</p>  <p>x6</p>	<p>B0</p>  <p>x12</p>	<p>B1</p> <p>6,4 x 50 mm</p>  <p>x12</p>
<p>D0</p> <p>3 x 15 mm</p>  <p>x12</p>	<p>F0</p>  <p>x12</p>	<p>C0</p>  <p>x12</p>

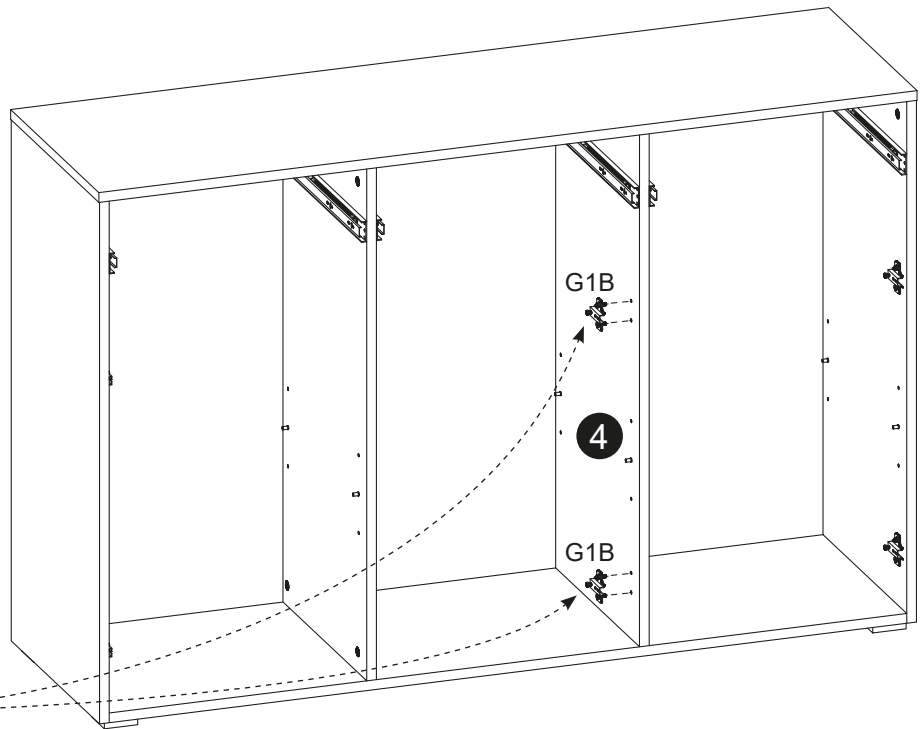
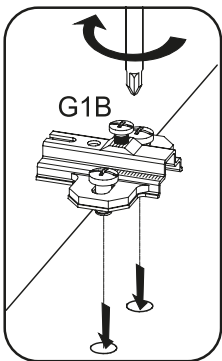
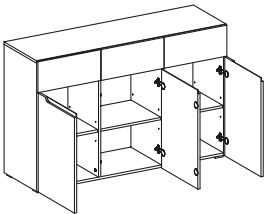


**10**

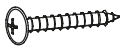
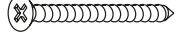
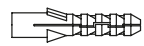
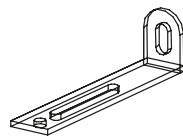
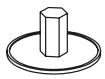


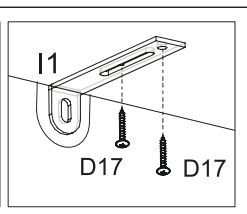
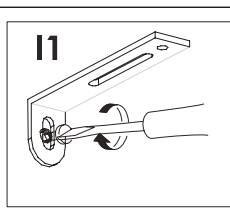
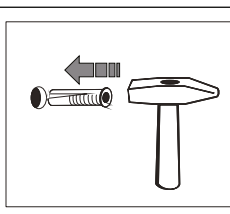
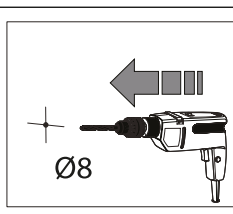
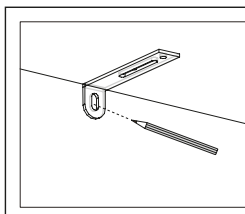
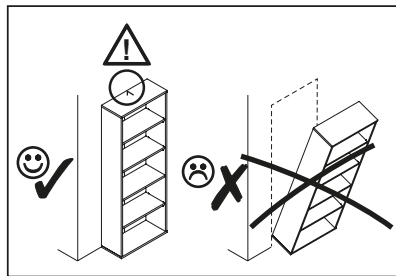
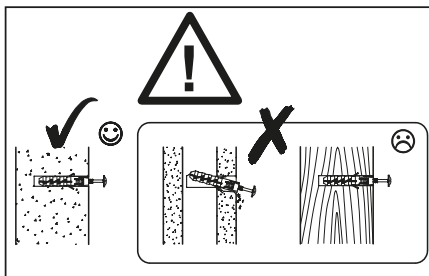
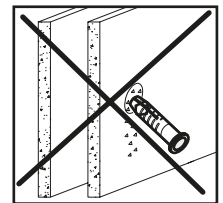
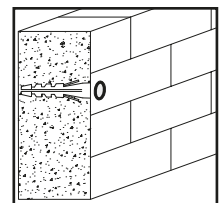
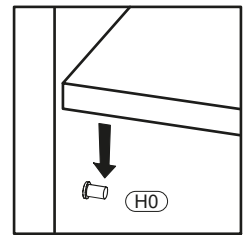
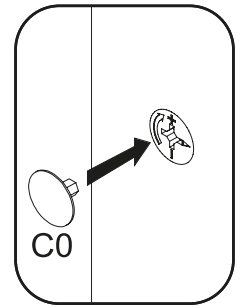
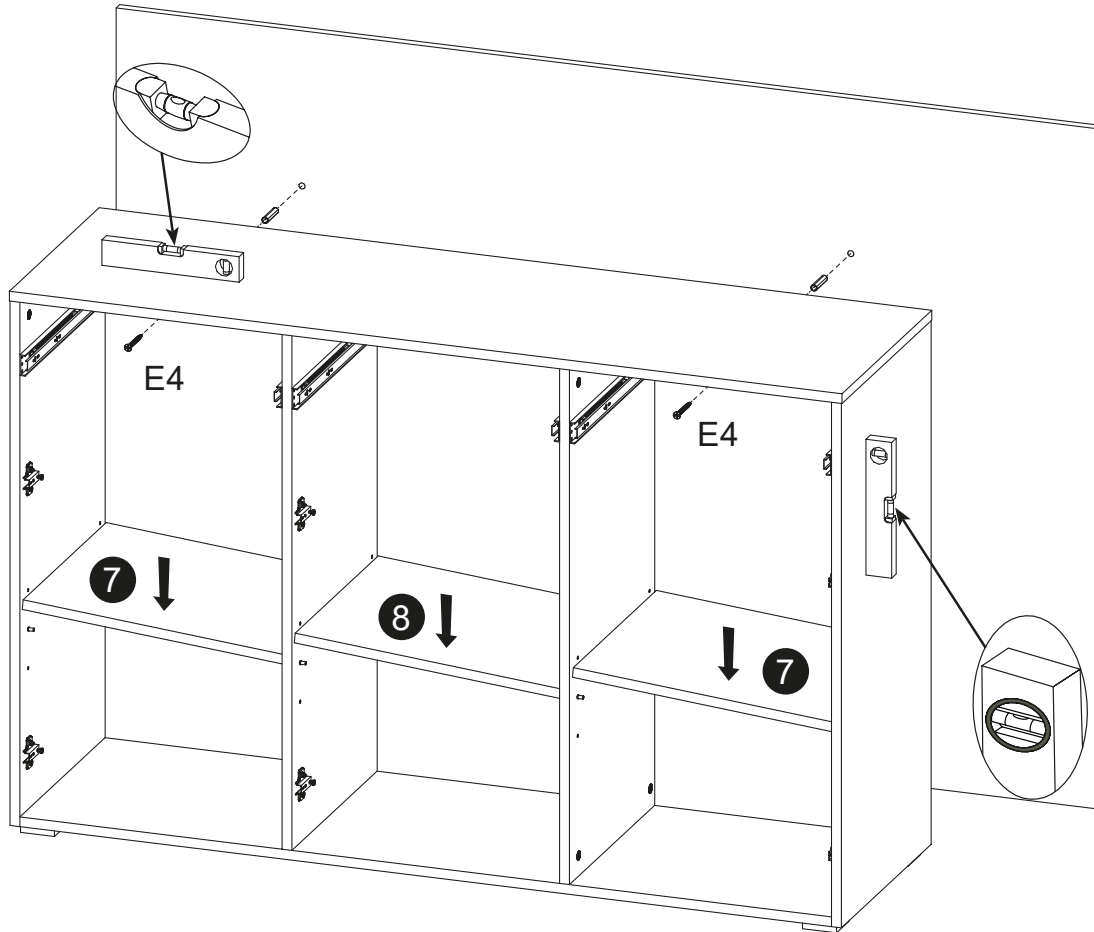
**L**

**R**

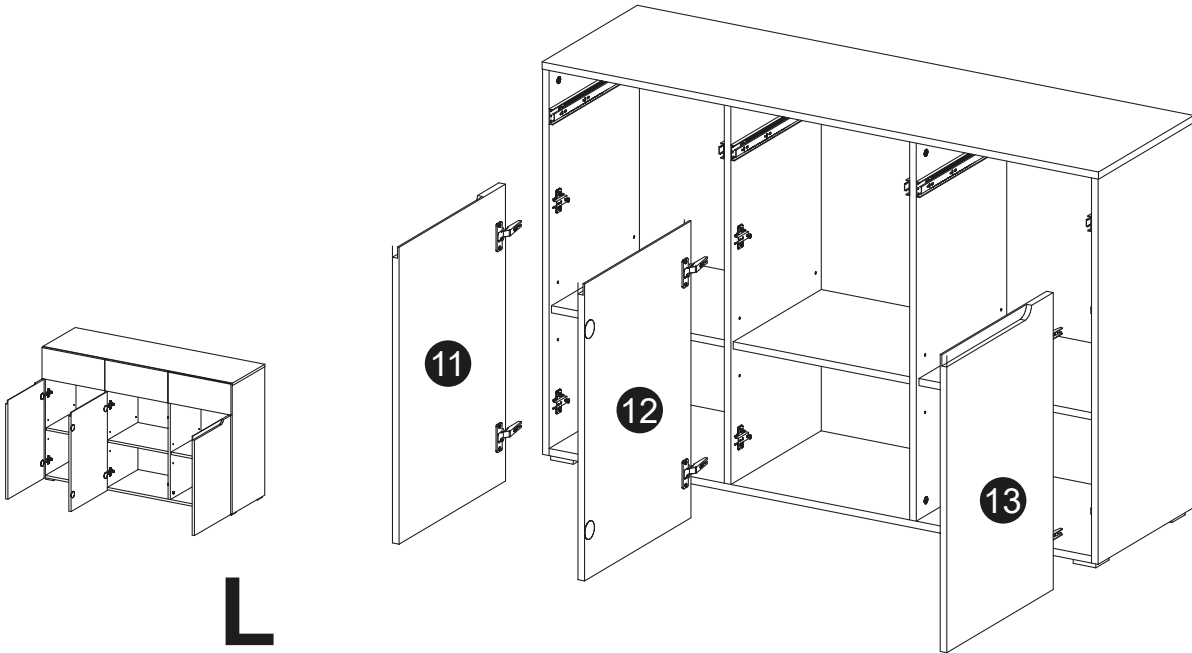
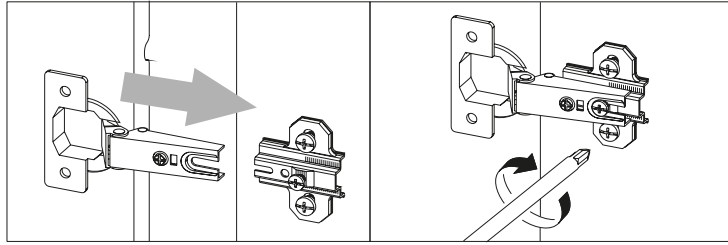


# 11

<b>D17</b>  3,5 x 16 mm x4	<b>E4</b>  5 x 50 mm  8 x 50 mm x2	<b>I1</b>  x2
		<b>C0</b>  x12

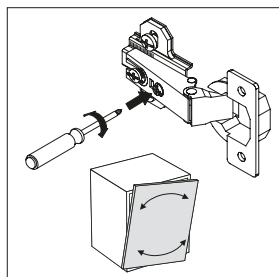
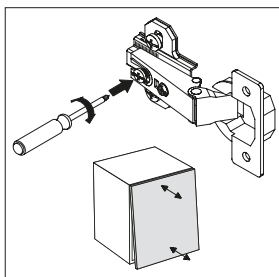
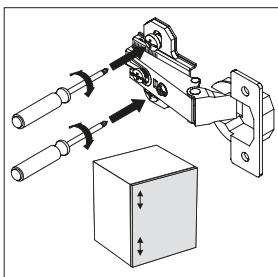
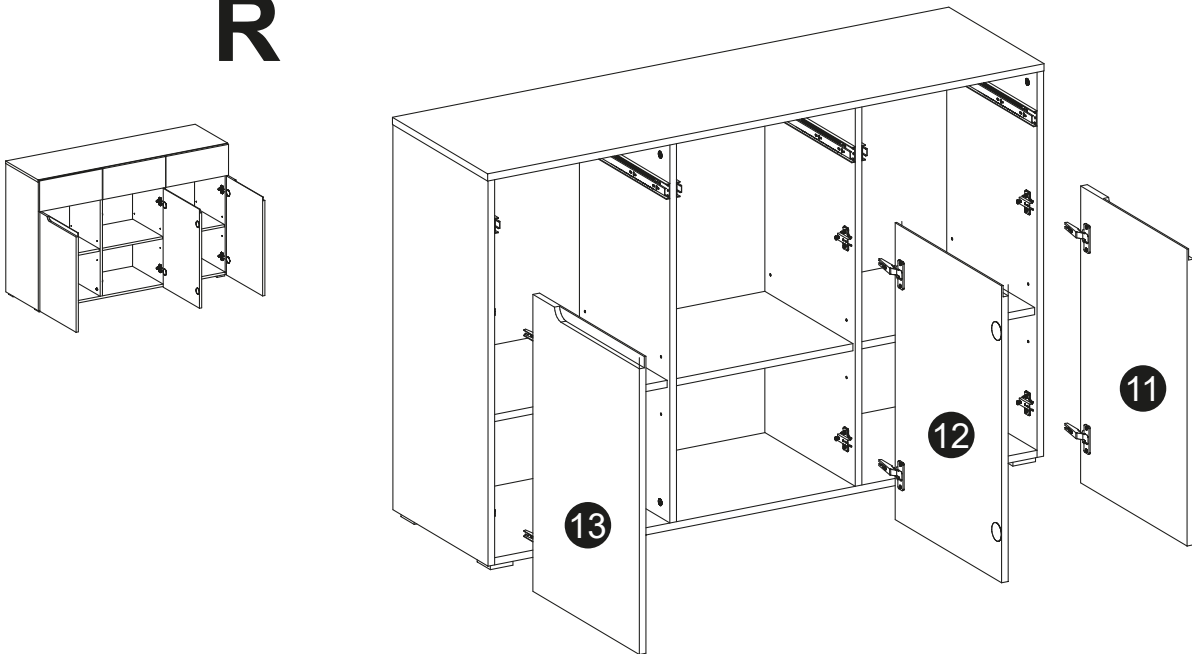


12



**L**

**R**



# 13

