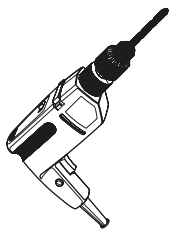
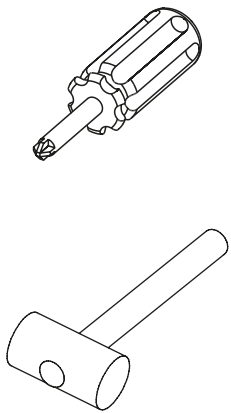
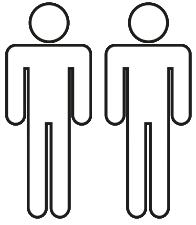
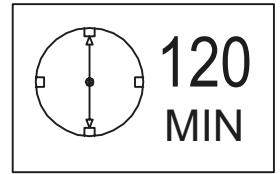
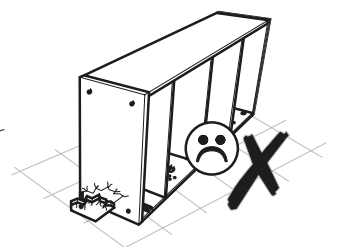
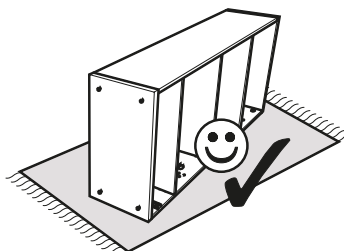
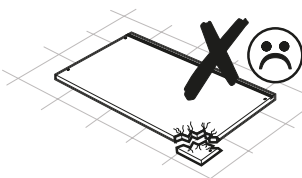
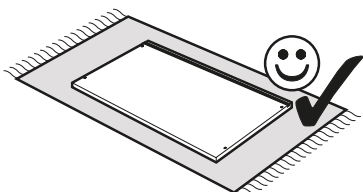
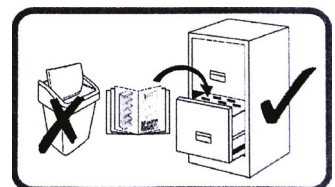
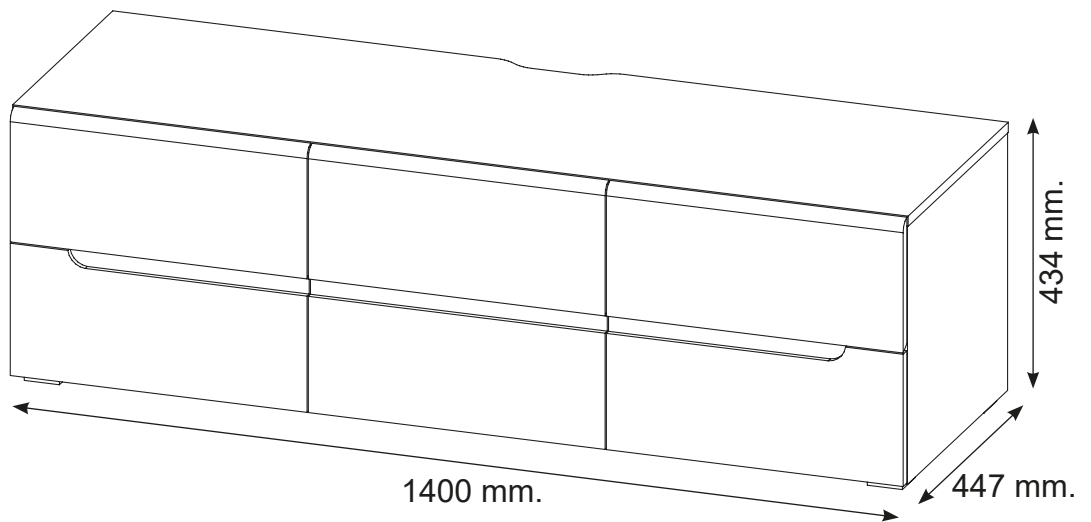










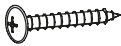


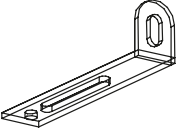


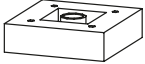
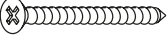


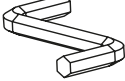
YOLK

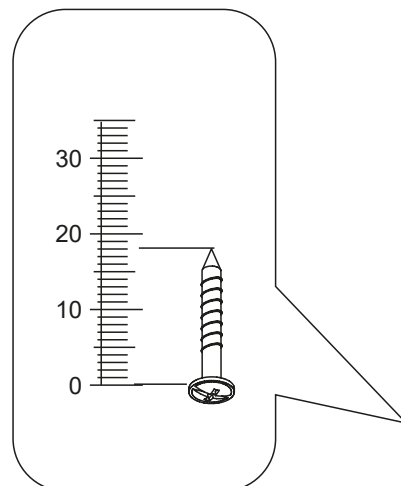
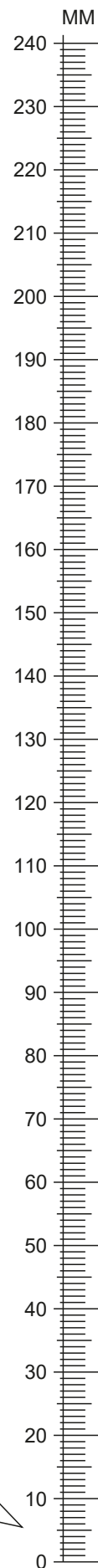


Ø8



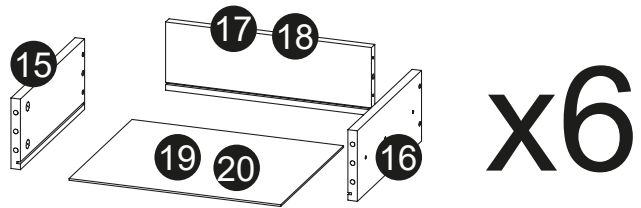
YOLK

A0  x40	B0  x24	B1 6,4 x 50 mm  x24
C0  x36	C1  x40	C2  x40
D0 3 x 15 mm  x40	D11 4 x 25 mm  x24	D17 3,5 x 16 mm  x8
D20 EURO 5 x 13 mm  x84	N22 L-350  x12	I1  x2
F0  x40	F10  x4	T0  x6
E4 5 x 50 mm  8 x 50 mm  x2	U0  x12	Z  x1

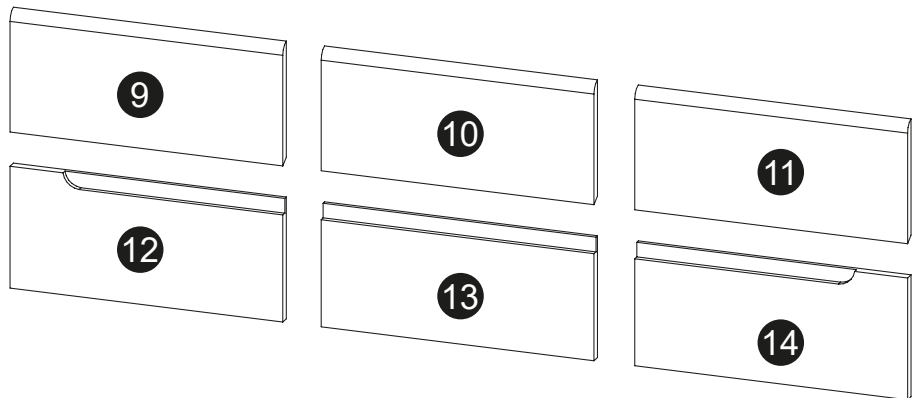


YOLK

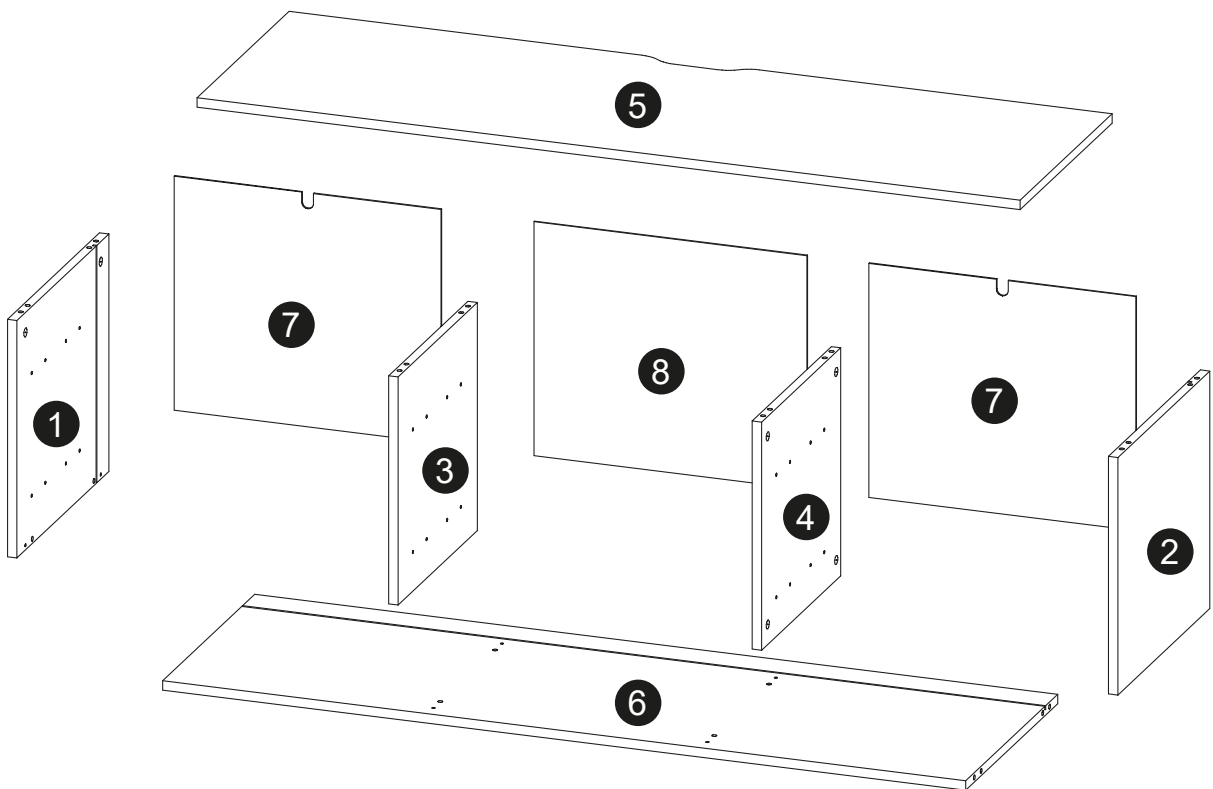
max.



max.






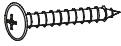


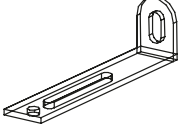
max.

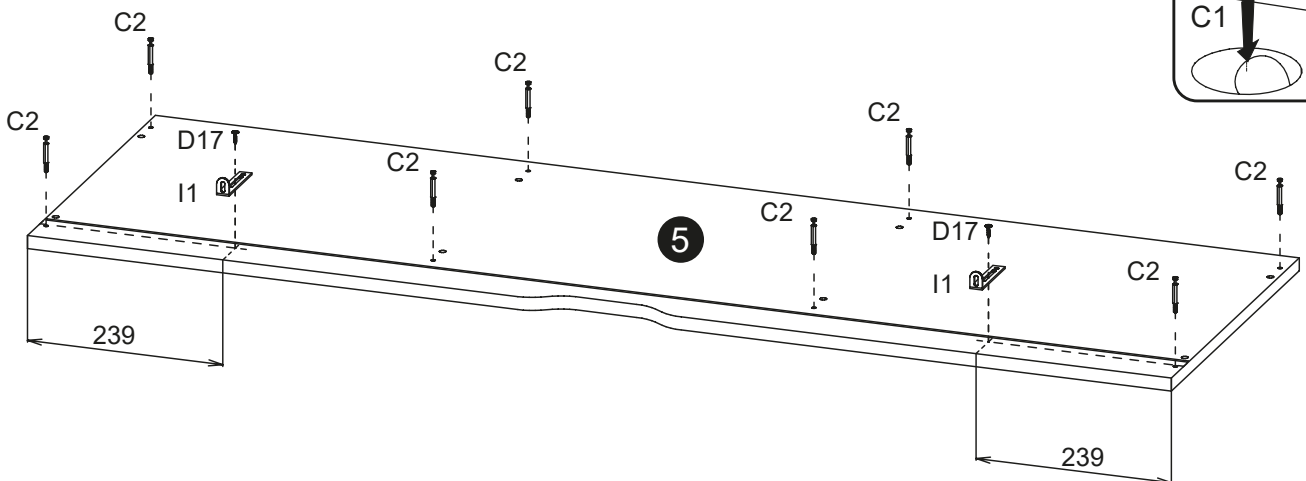
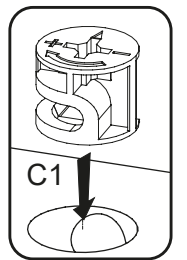
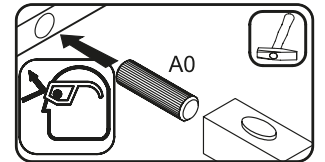
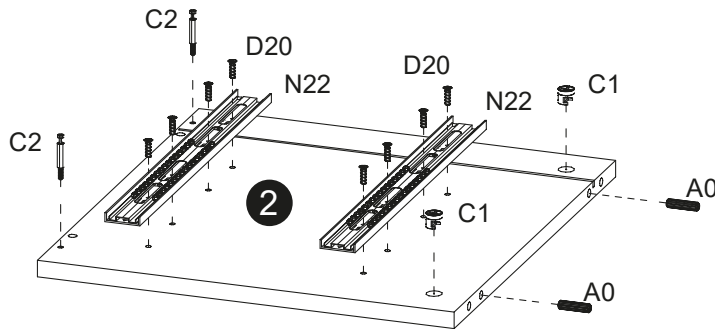
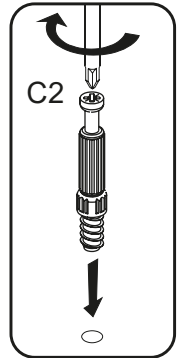
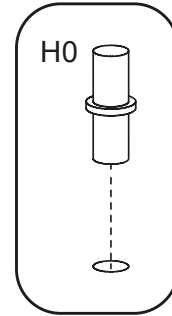
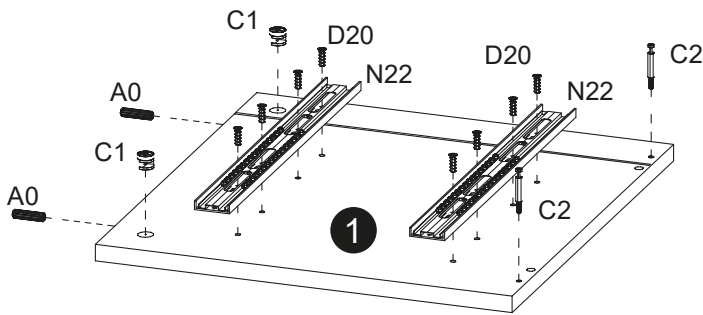
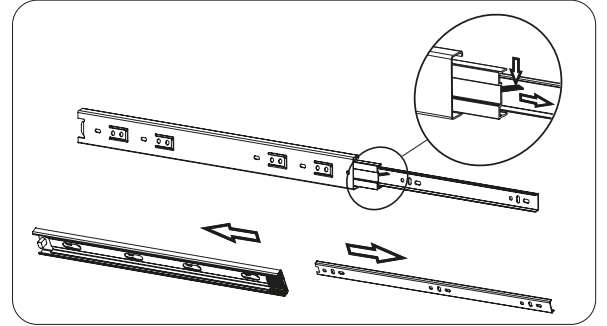
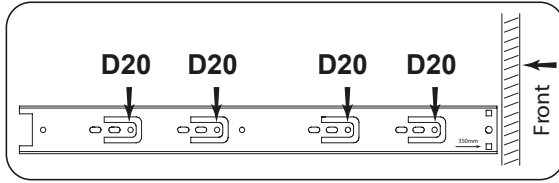


Colli 1/2: 1 2 3 4 6 15x6 16x6 17x2 18x4

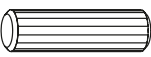


Colli 2/2: 5 7x2 8 9 10 11 12 13 14 19x2 20x4


1

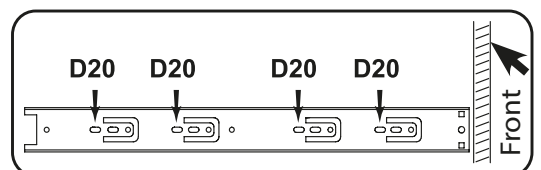
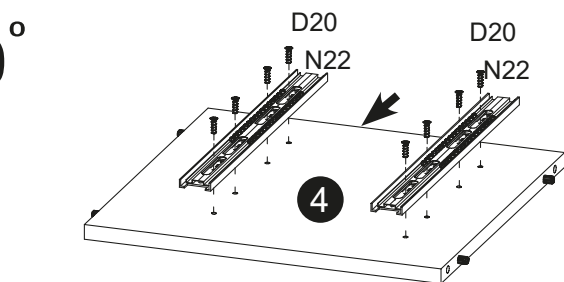
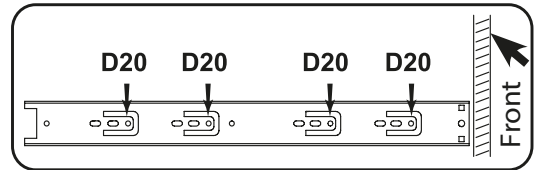
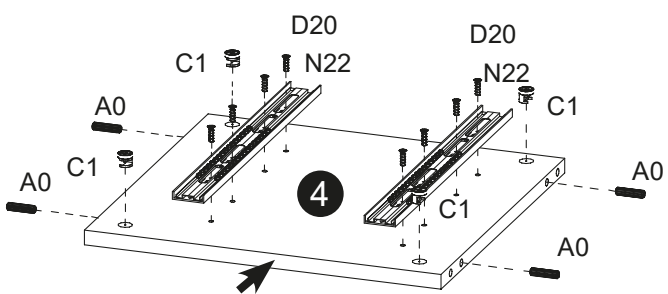
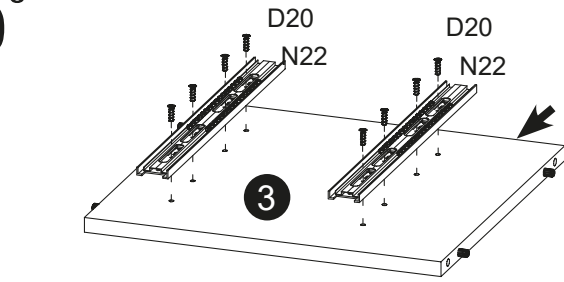
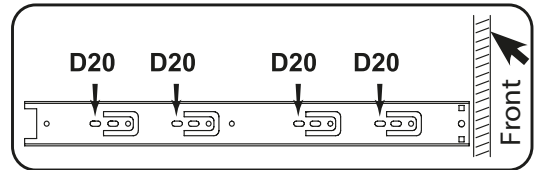
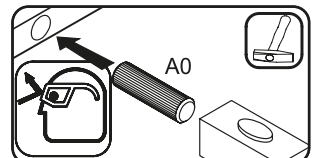
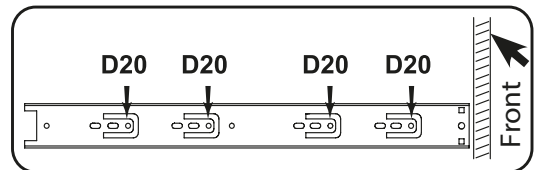
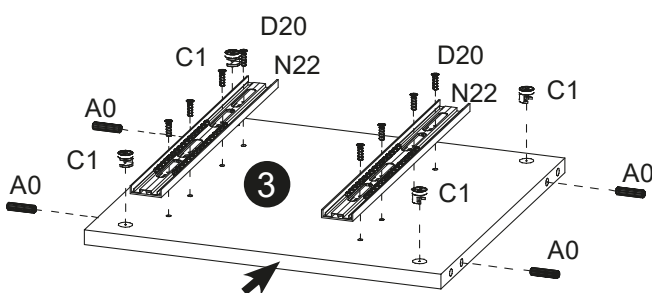
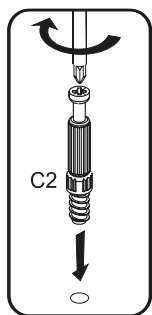
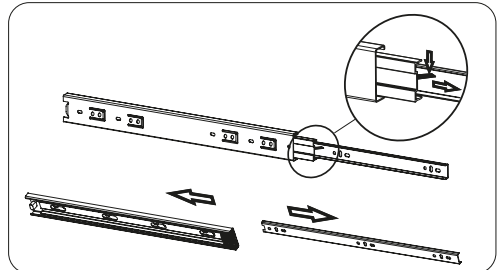
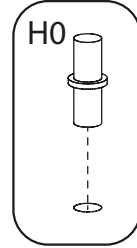
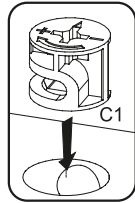
<p>A0</p>  <p>x4</p>	<p>C1</p>  <p>x4</p>	<p>C2</p>  <p>x12</p>
<p>D17</p> <p>3,5 x 16 mm</p>  <p>x2</p>	<p>D20</p> <p>EURO 5 x 13 mm</p>  <p>x16</p>	<p>N22</p> <p>L-350</p>  <p>x4</p>
<p>I1</p>  <p>x2</p>		



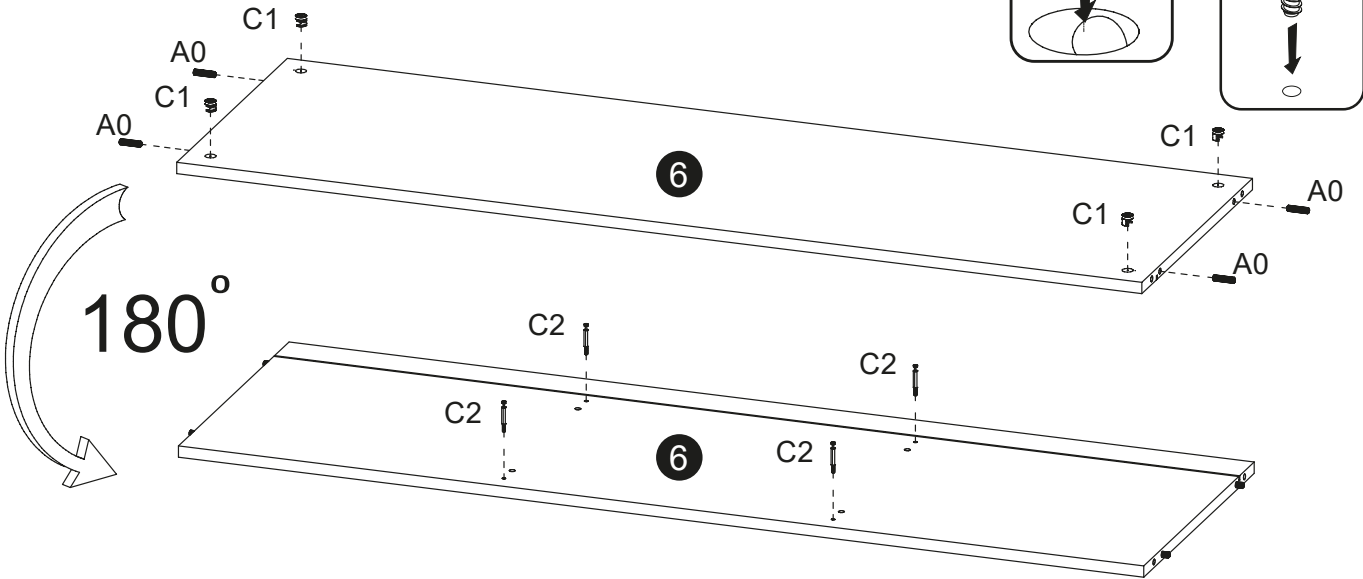
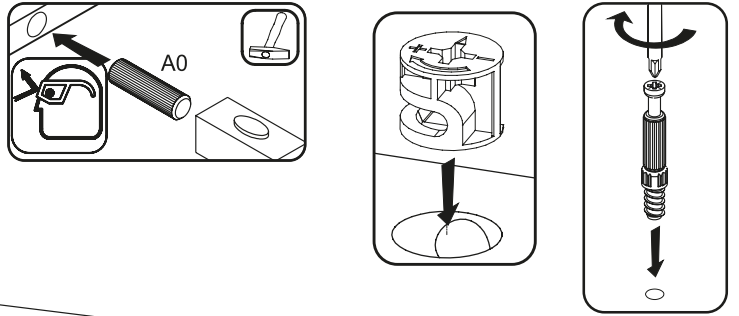
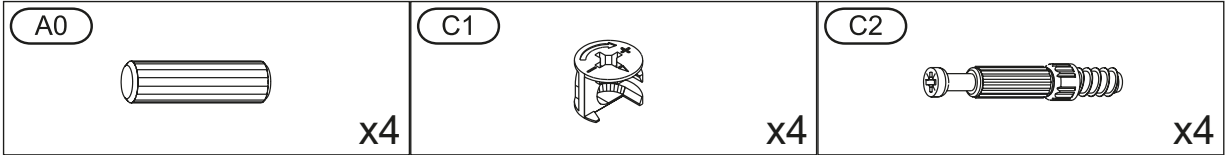
2

A0  x8	C1  x8	D20 EURO 5 x 13 mm  x32
--	--	--

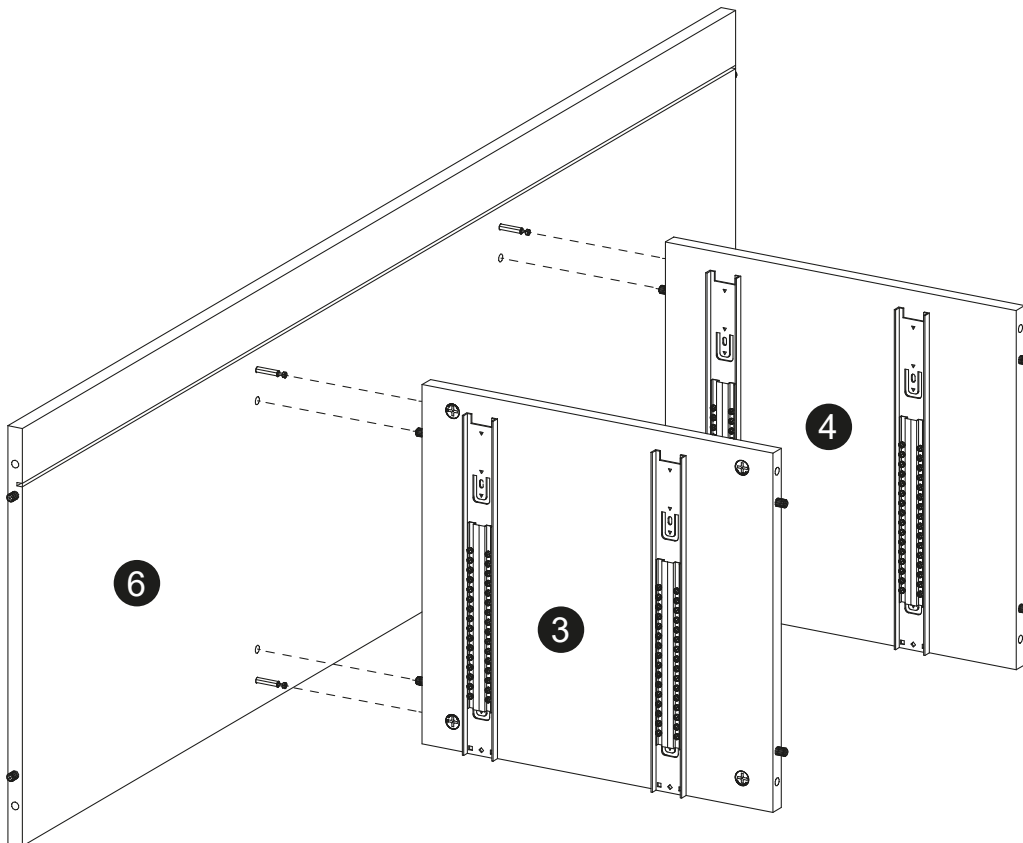
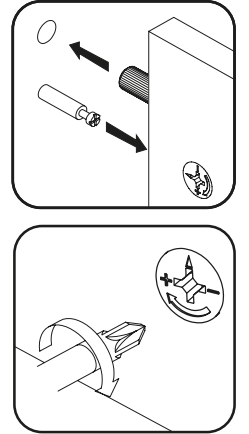
N22 L-350  x8
--



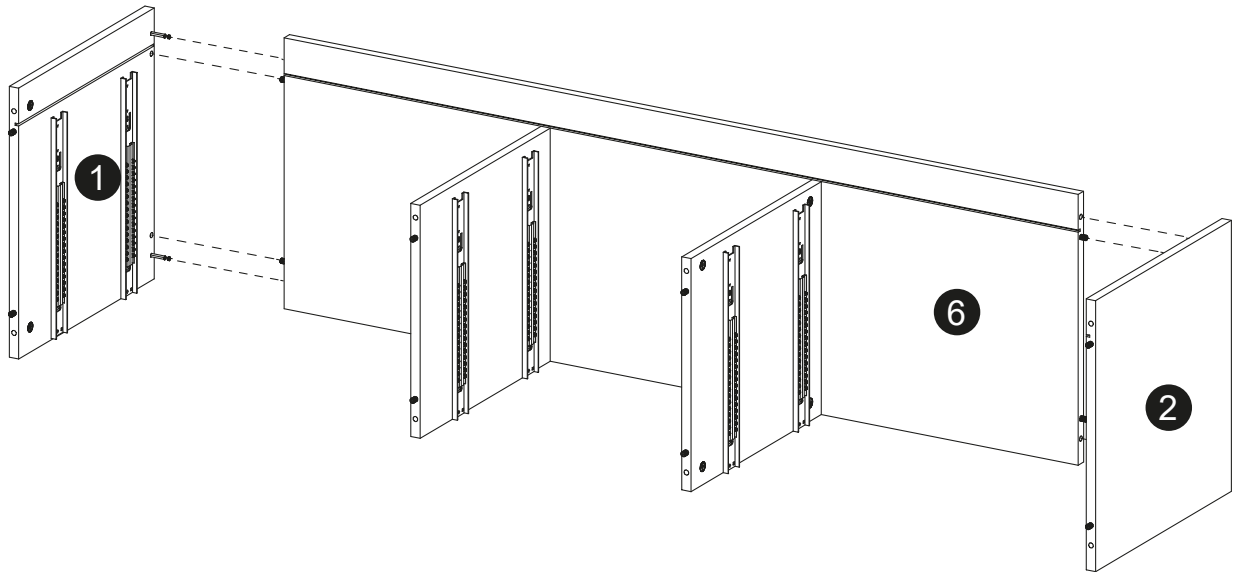
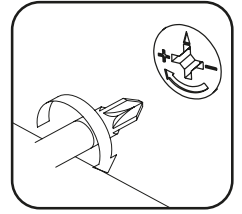
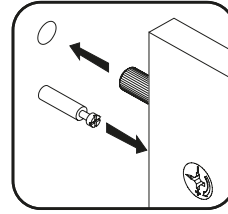
3



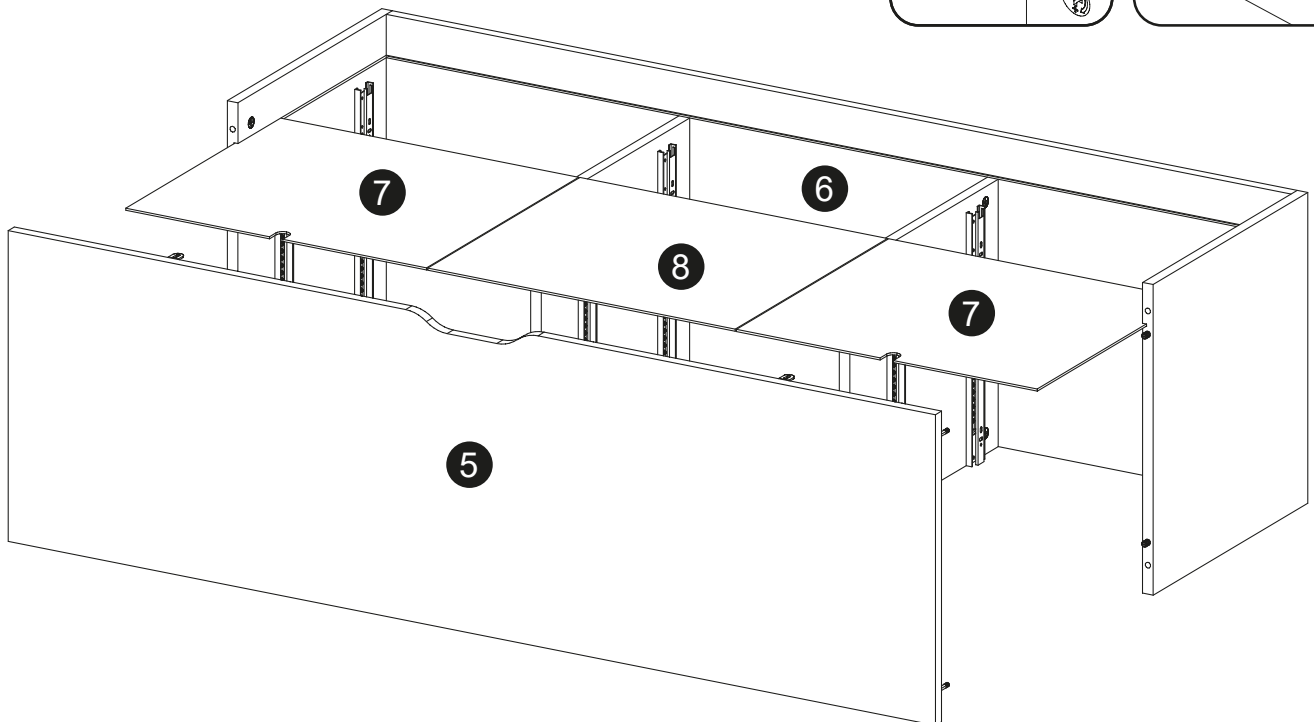
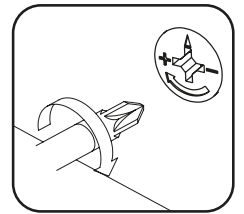
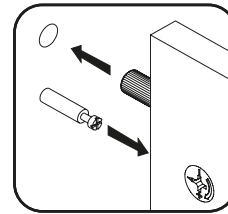
4




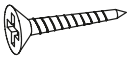
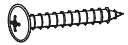
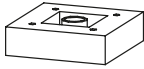


5

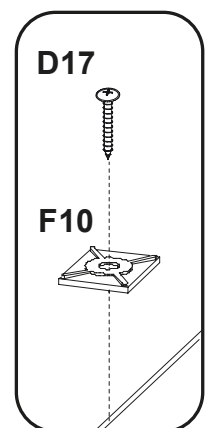
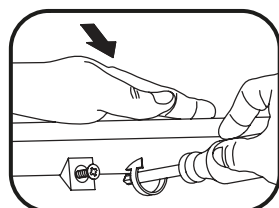
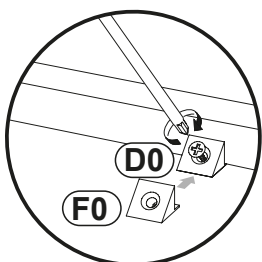
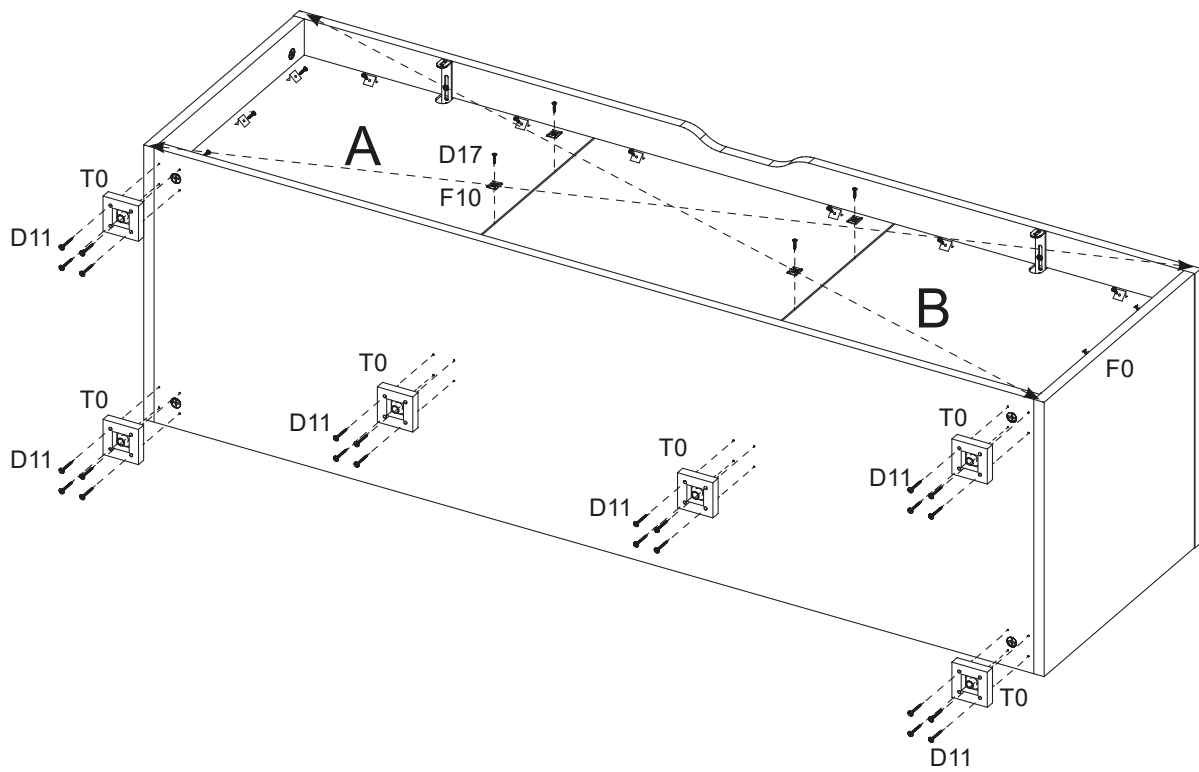
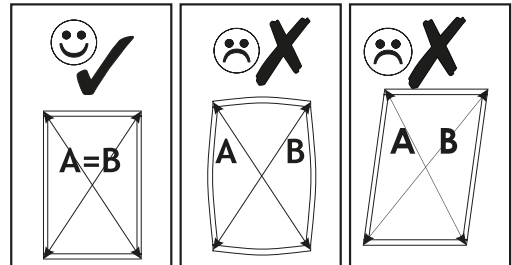


6

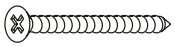
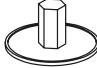
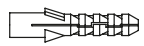


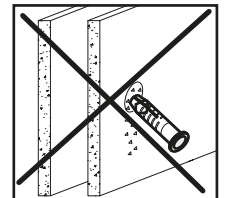
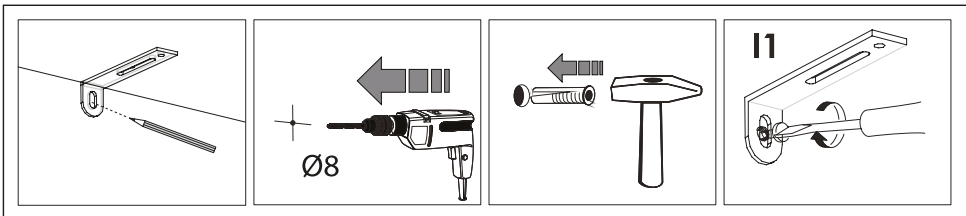
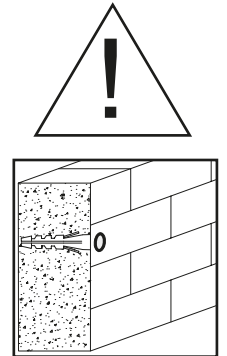
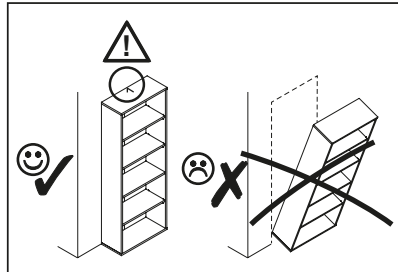
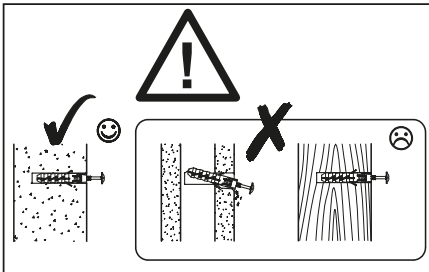
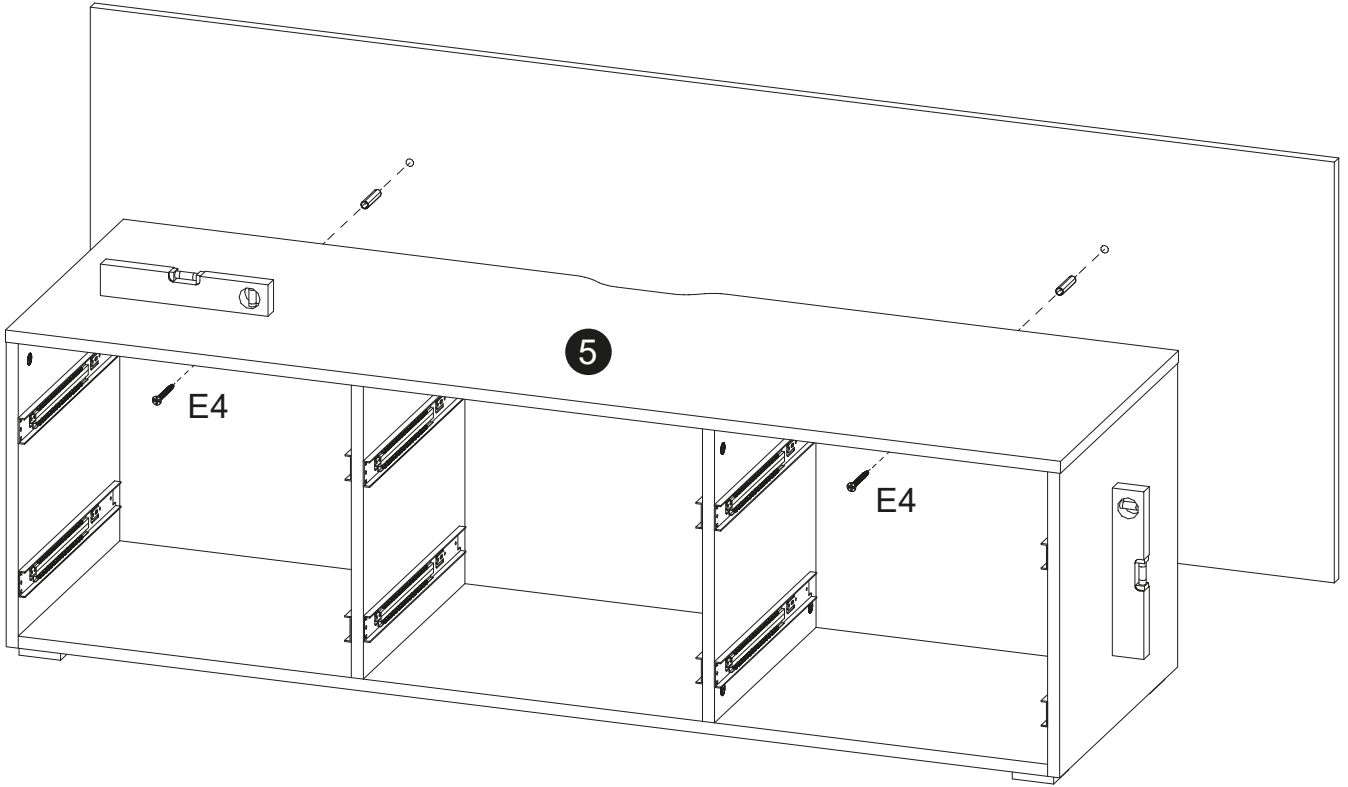
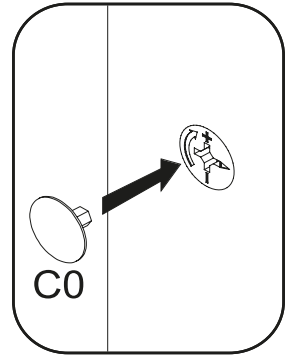
7

D0  3 x 15 mm x16	D11  4 x 25 mm x24	D17  3,5 x 16 mm x4
T0  x6	F0  x16	F10  x4




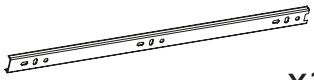




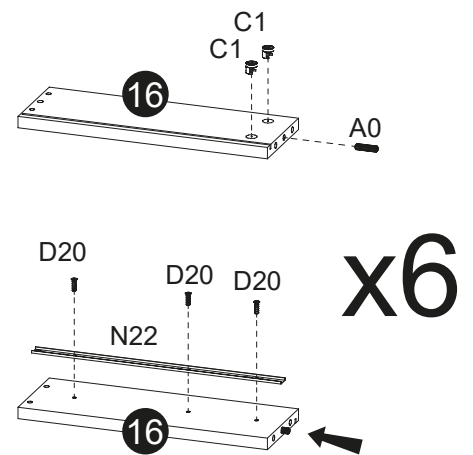
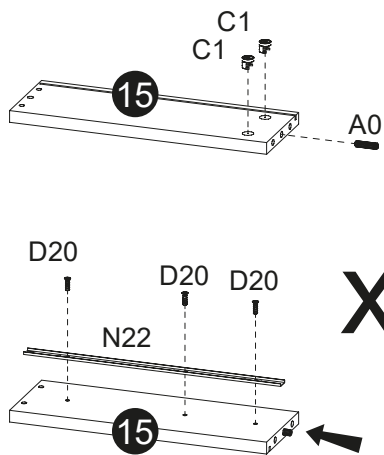
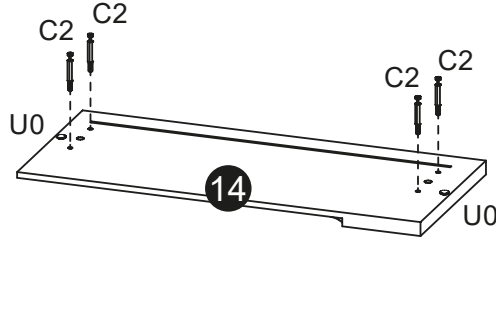
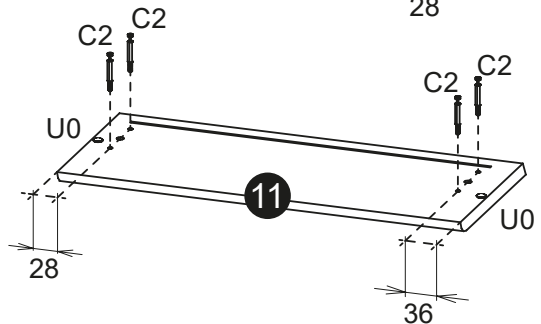
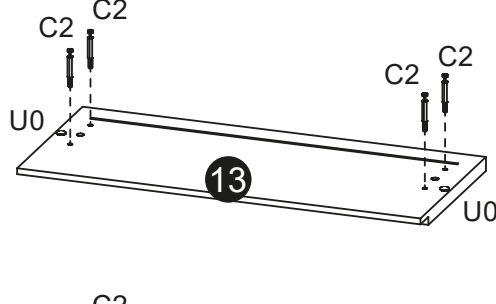
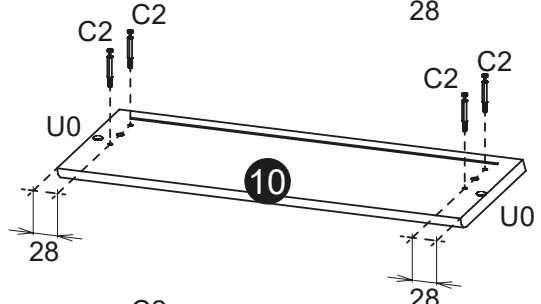
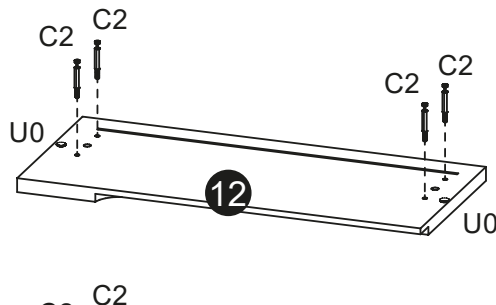
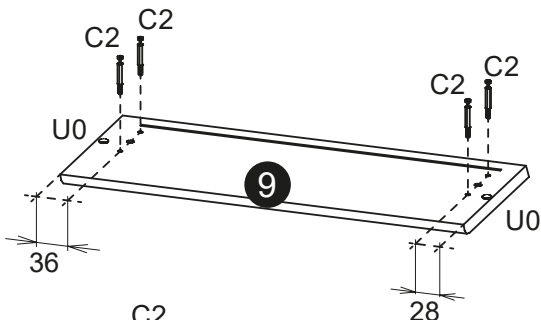
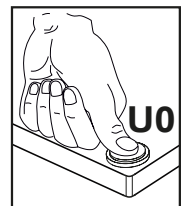
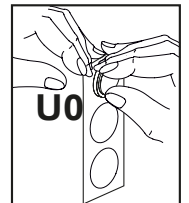
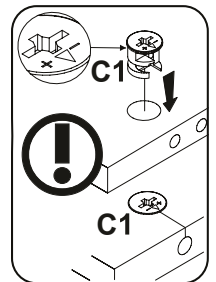
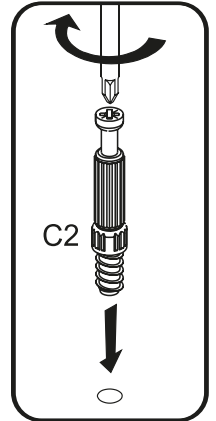
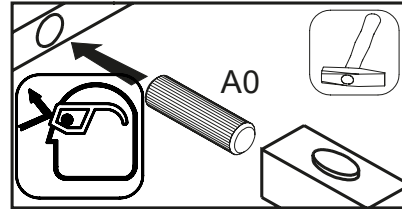
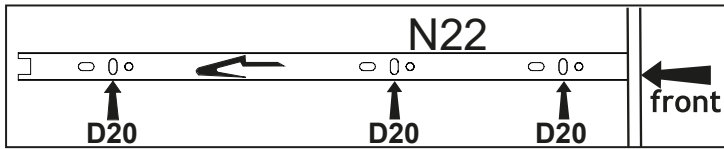
18

E4		5 x 50 mm	C0		x12
		8 x 50 mm			



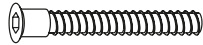



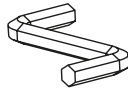


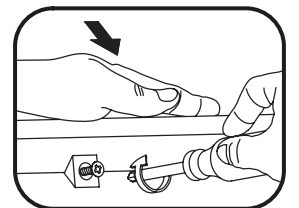
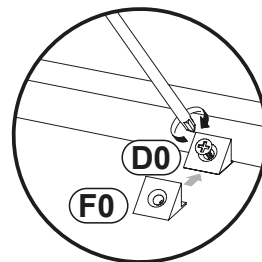
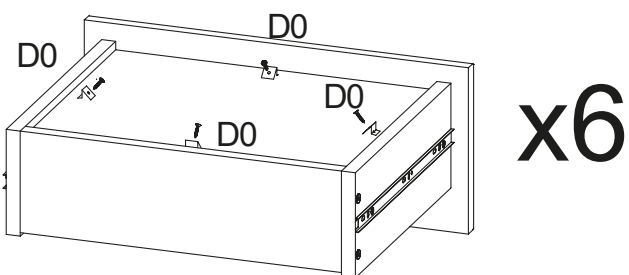
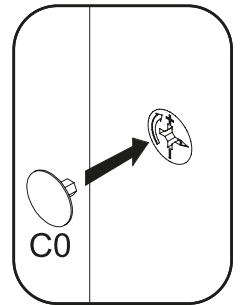
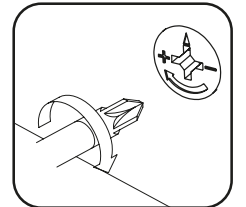
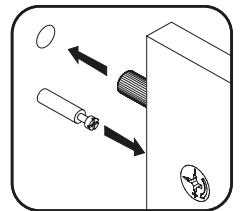
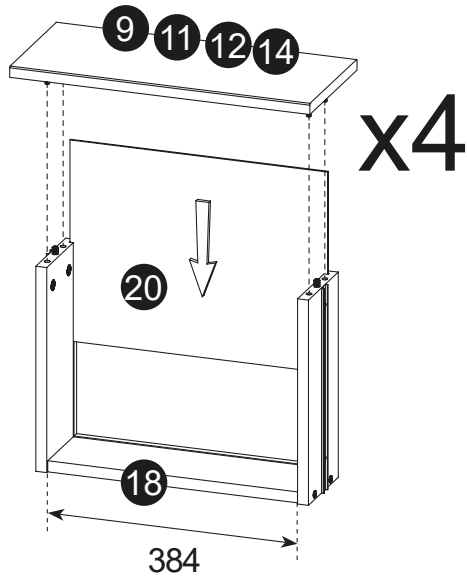
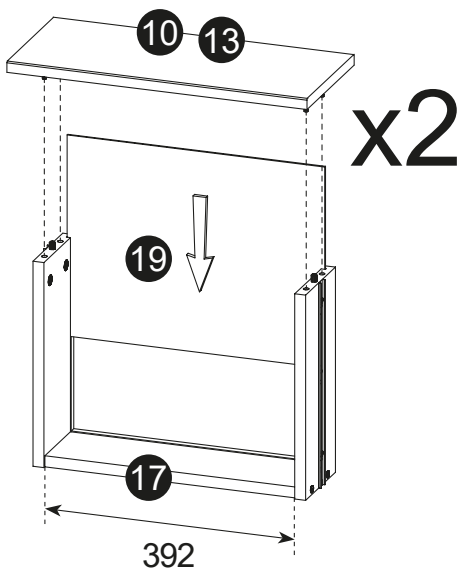
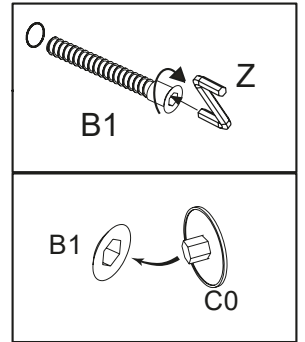
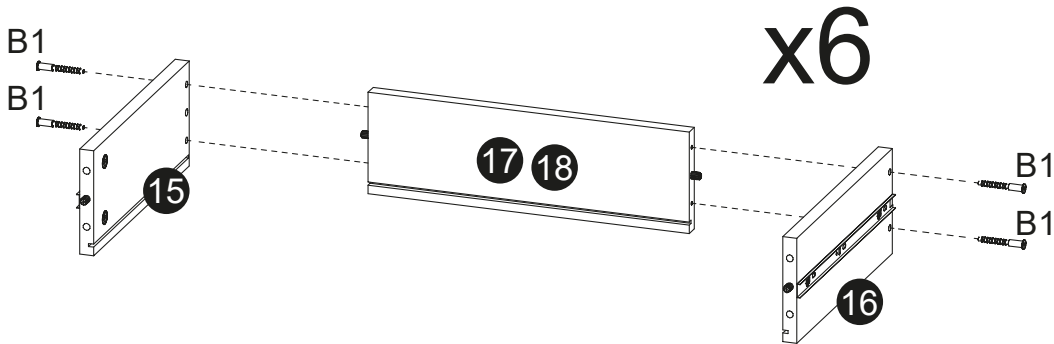
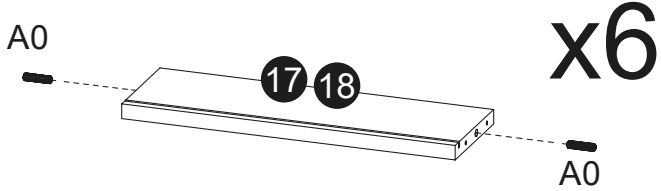
9

<p>A0</p>  <p>x12</p>	<p>C1</p>  <p>x24</p>	<p>D20</p> <p>EURO 5 x 13 mm</p>  <p>x36</p>
<p>N22</p> <p>L-350</p>  <p>x12</p>	<p>C2</p>  <p>x24</p>	<p>U0</p>  <p>x12</p>



10

<p>A0</p>  <p>x12</p>	<p>B0</p>  <p>x24</p>	<p>B1</p> <p>6,4 x 50 mm</p>  <p>x24</p>
<p>D0</p> <p>3 x 15 mm</p>  <p>x24</p>	<p>F0</p>  <p>x24</p>	<p>C0</p>  <p>x24</p>
		<p>Z</p>  <p>x1</p>



11

