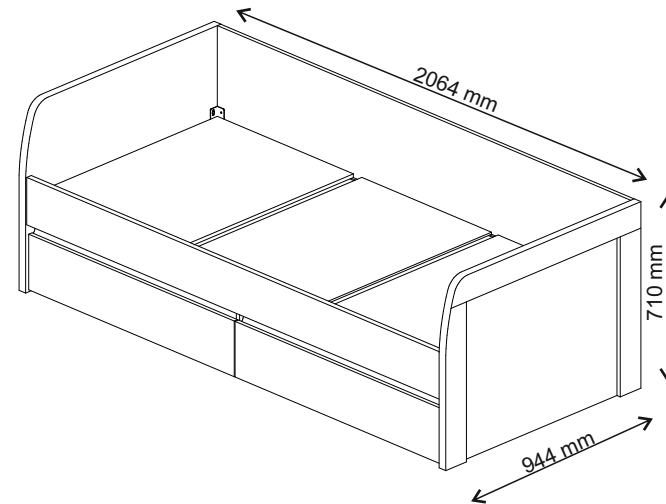
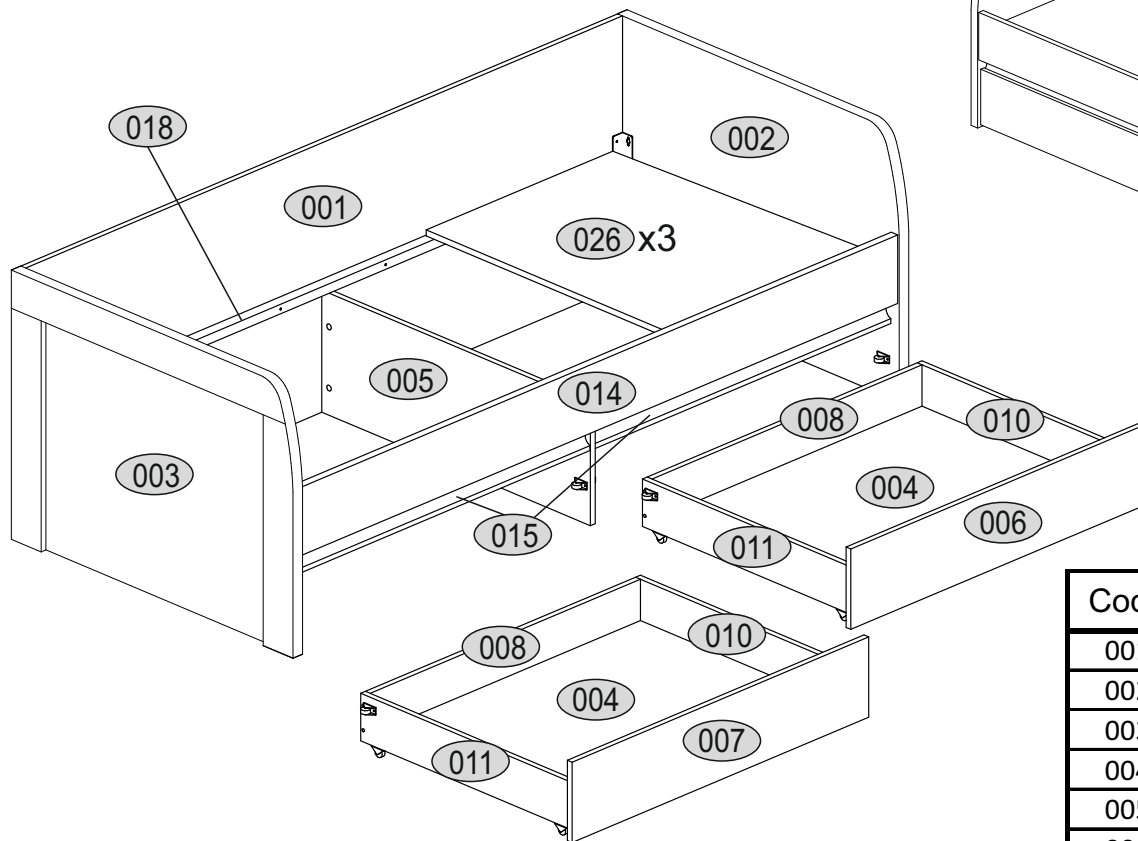
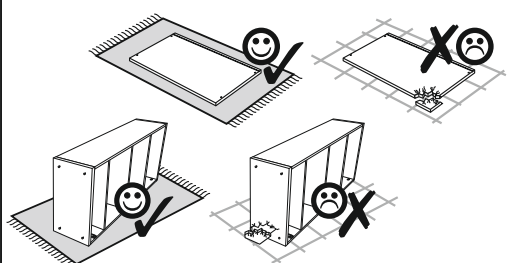
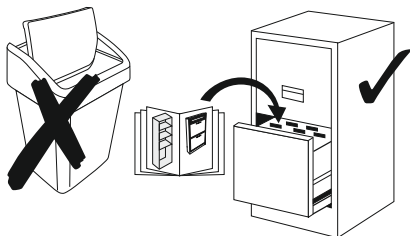
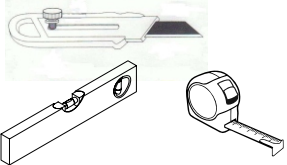
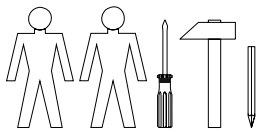




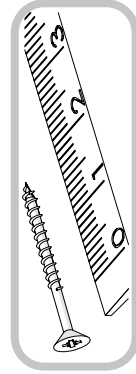
Installation manual

NORTON: ŁÓŻKO 2S/90

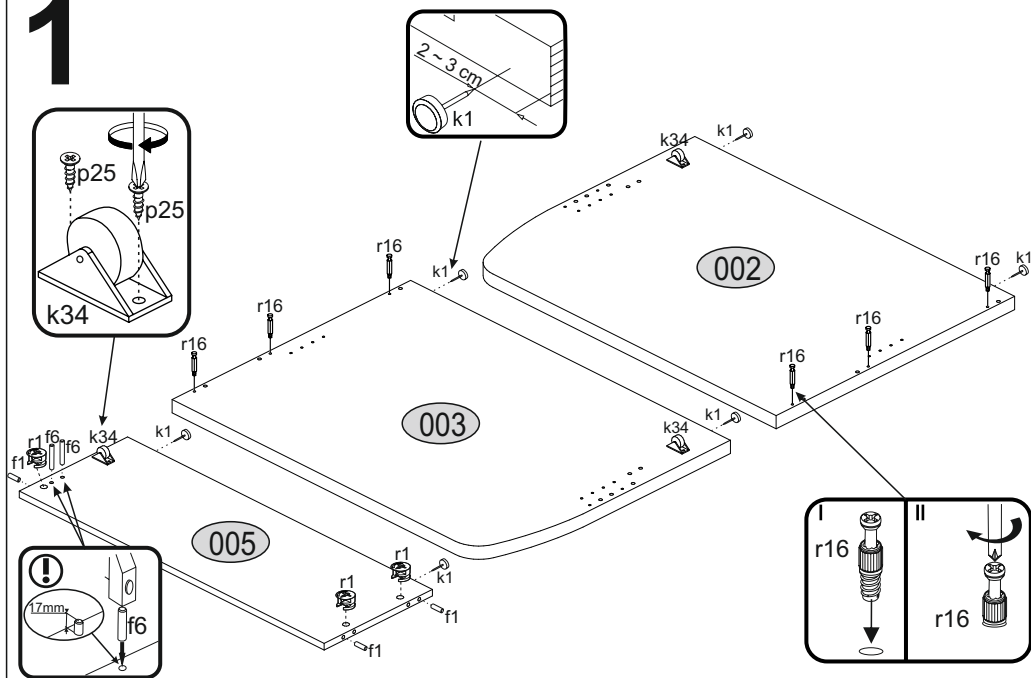


Code	Dimensions				Package
001	2000	702	16	1	3/3
002	944	704	16/32	1	3/3
003	944	704	16/32	1	3/3
004	905	700	16	2	2/3
005	900	319	16	1	2/3
006	994	206	16	1	1/3
007	994	206	16	1	1/3
008	905	124	16	2	2/3
010	716	124	16	2	3/3
011	716	124	16	2	3/3
014	2000	179	22	1	1/3
015	992	70	30	2	1/3
018	1880	30	25	2	1/3
026	898	618	16	3	2/3
accessories					1 3/3

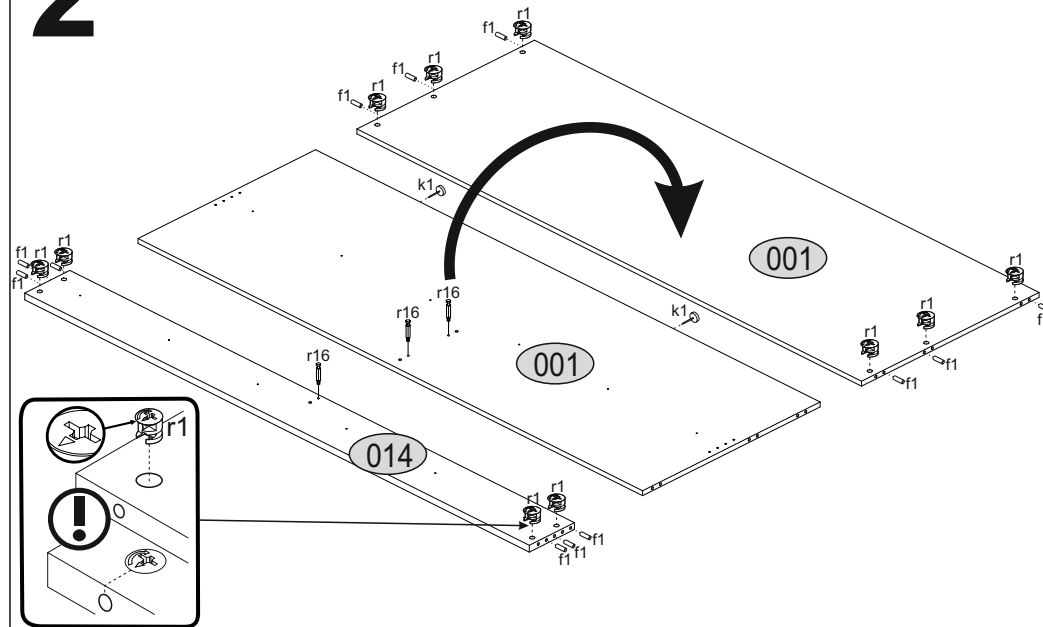
<p>x8 e1 Ø5x50 mm</p> 	<p>x8 s1</p> 	<p>x48 p25 Ø3.5x16 mm</p> 	<p>x4 r3 Ø15x15 mm</p> 
<p>x25 r16</p> 	<p>x25 s2</p> 	<p>x43 f1 Ø8x30 mm</p> 	<p>x32 e2 Ø6.3x13 mm</p> 
<p>x16 k34</p> 	<p>x4 n63</p> 	<p>x8 k1</p> 	<p>x12 p21 Ø4x30 mm</p> 
<p>x4 n221</p> 	<p>x6 p62 Ø4x45 mm</p> 	<p>x1 z1</p> 	
<p>x2 f6 Ø8x50 mm</p> 	<p>x6 p10 Ø4x40 mm</p> 		



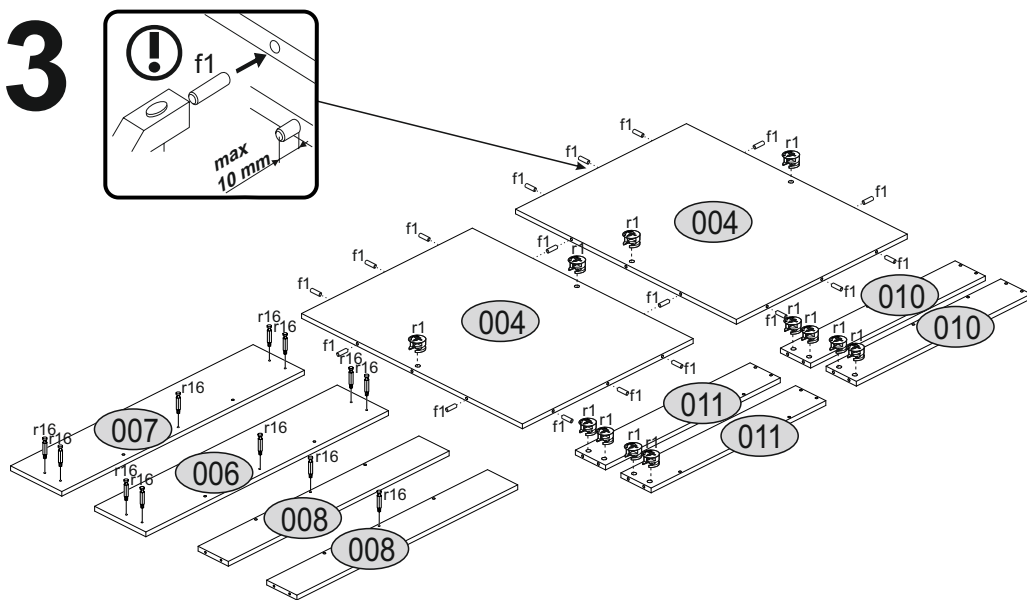
1



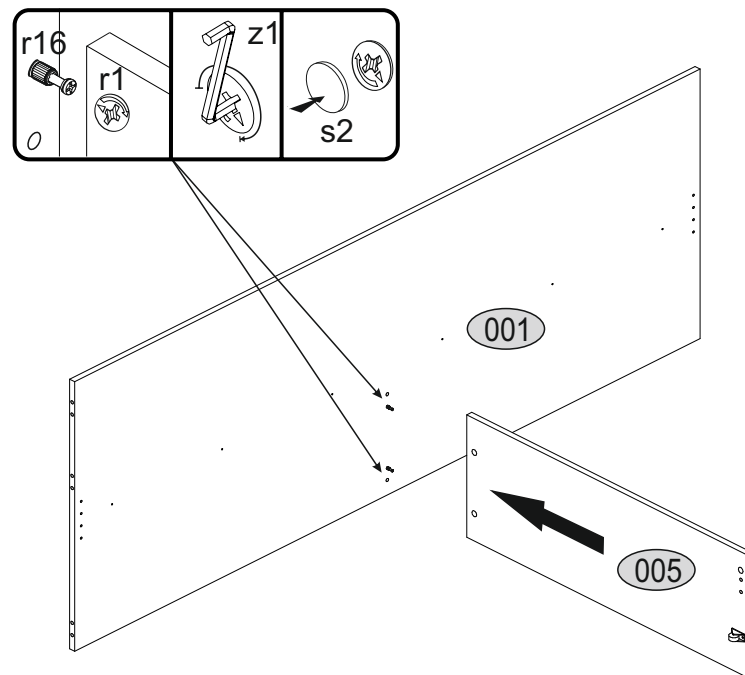
2



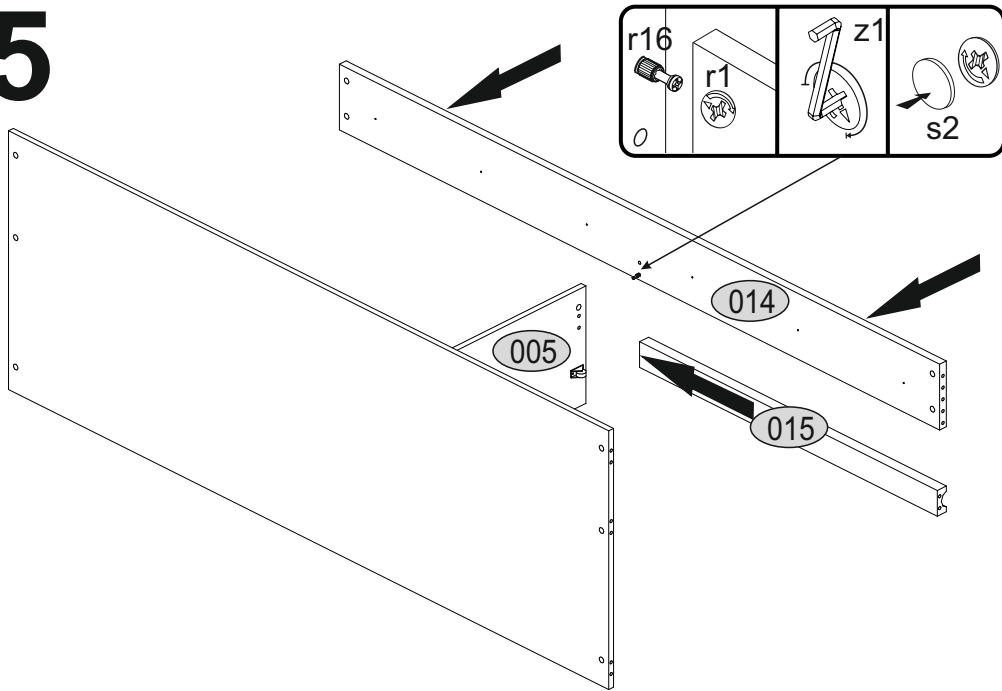
3



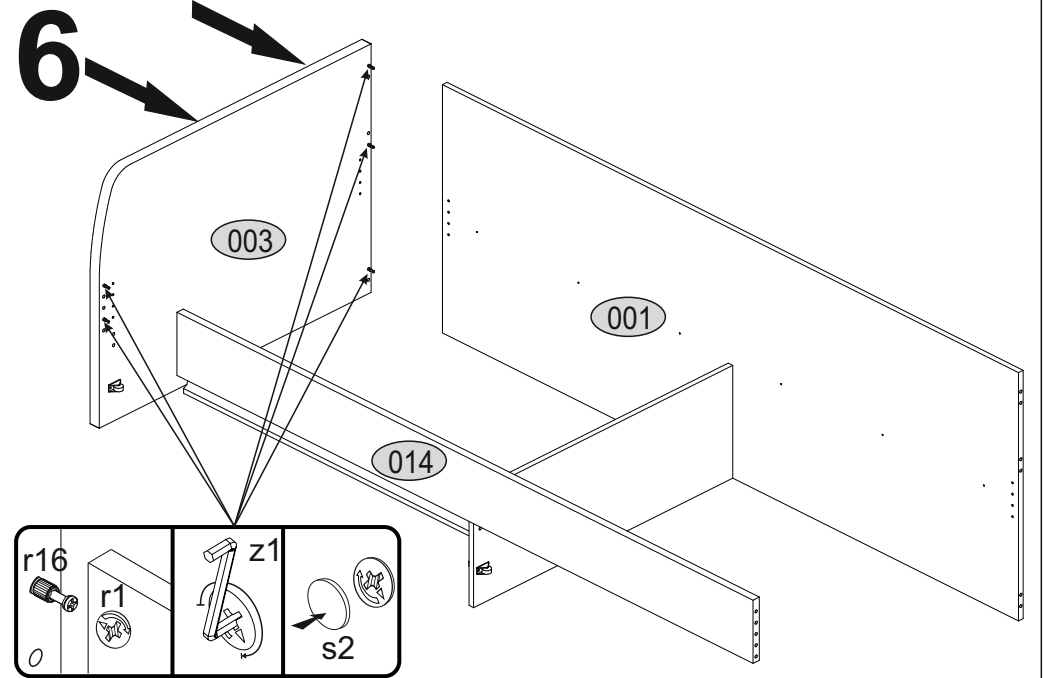
4



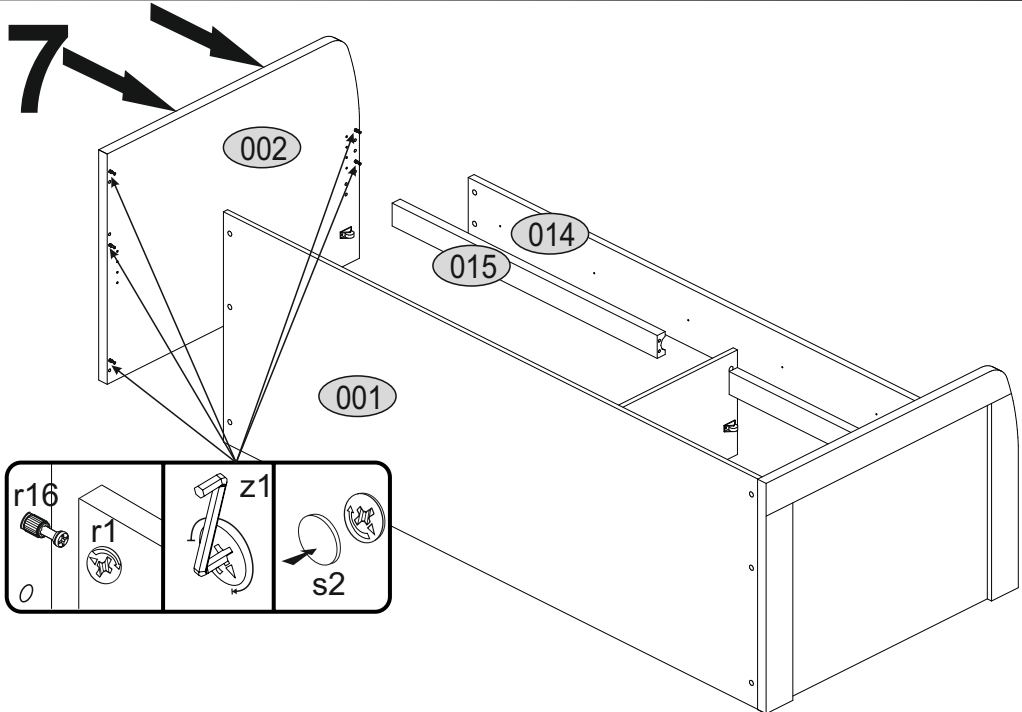
5



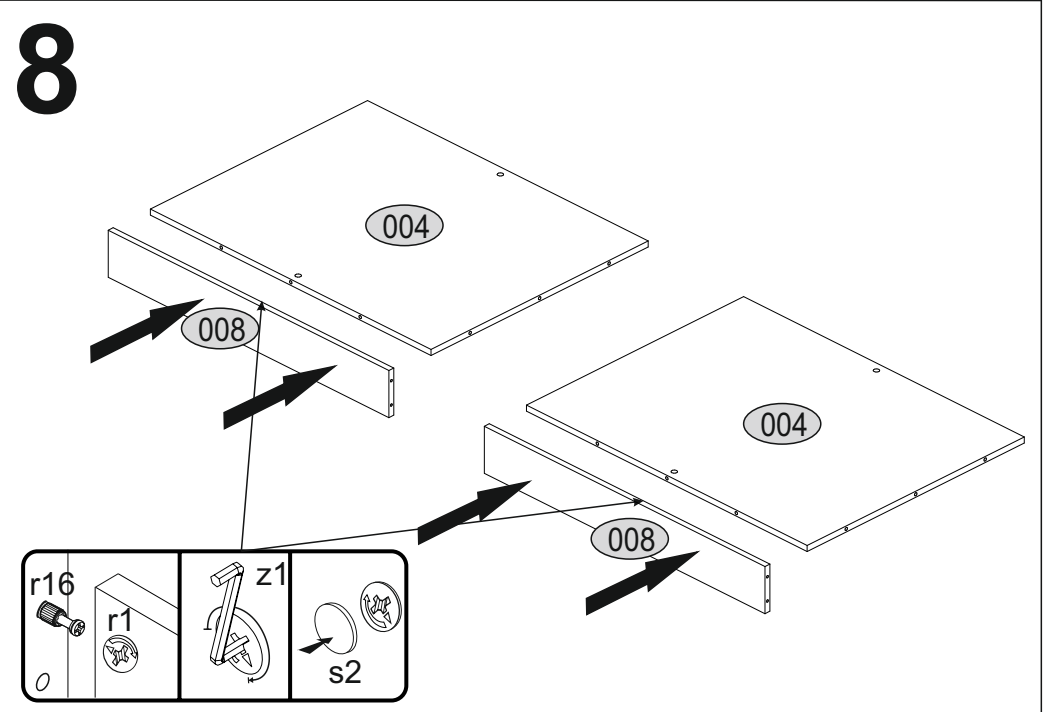
6



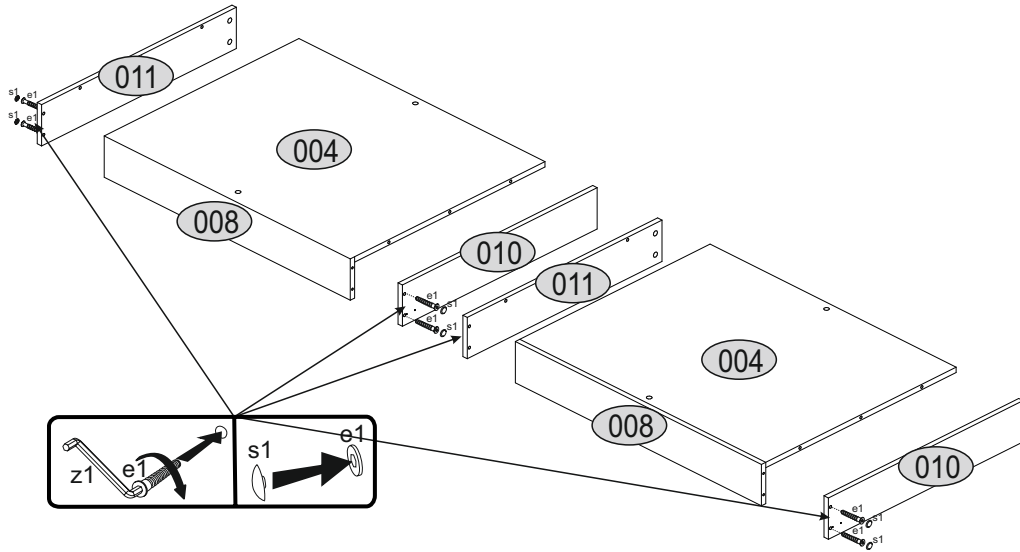
7



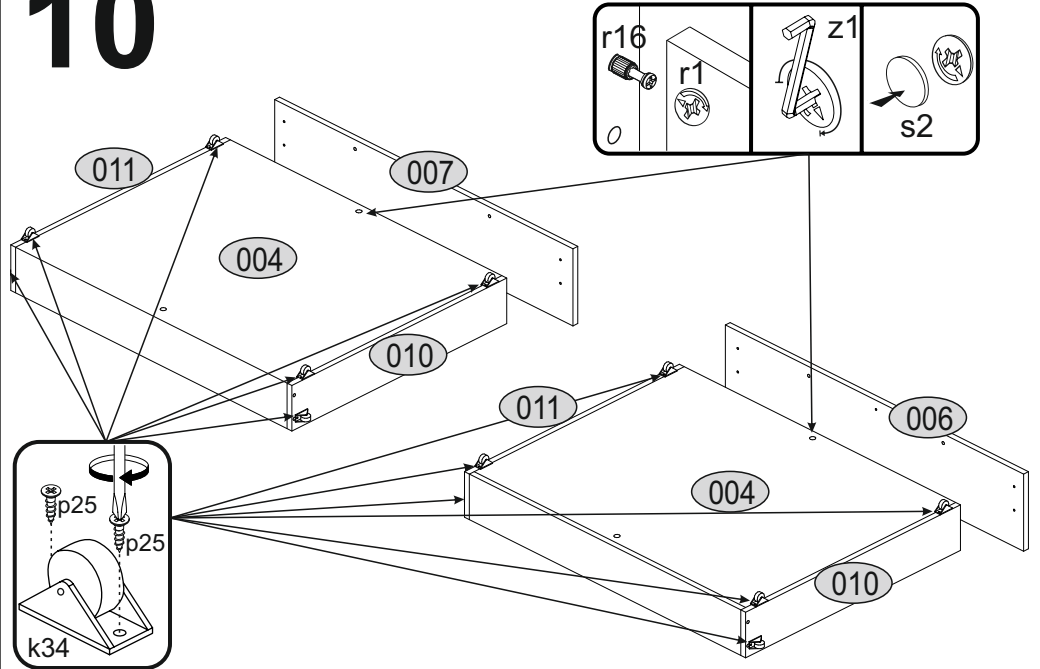
8



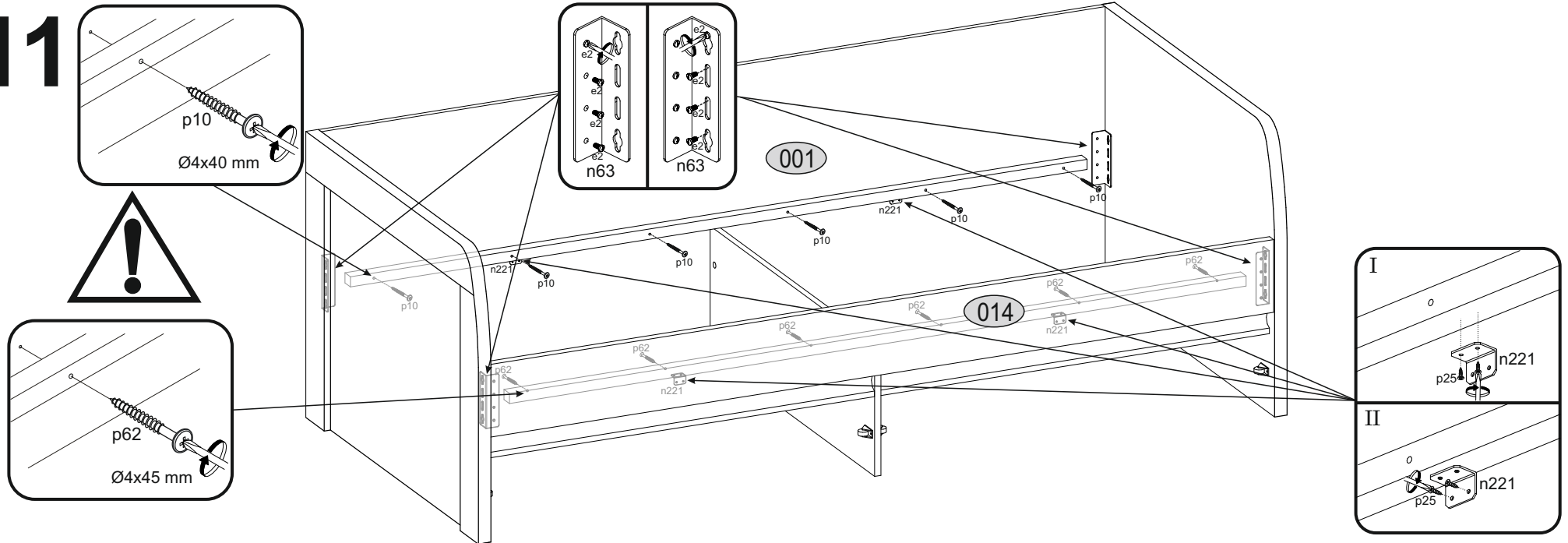
9



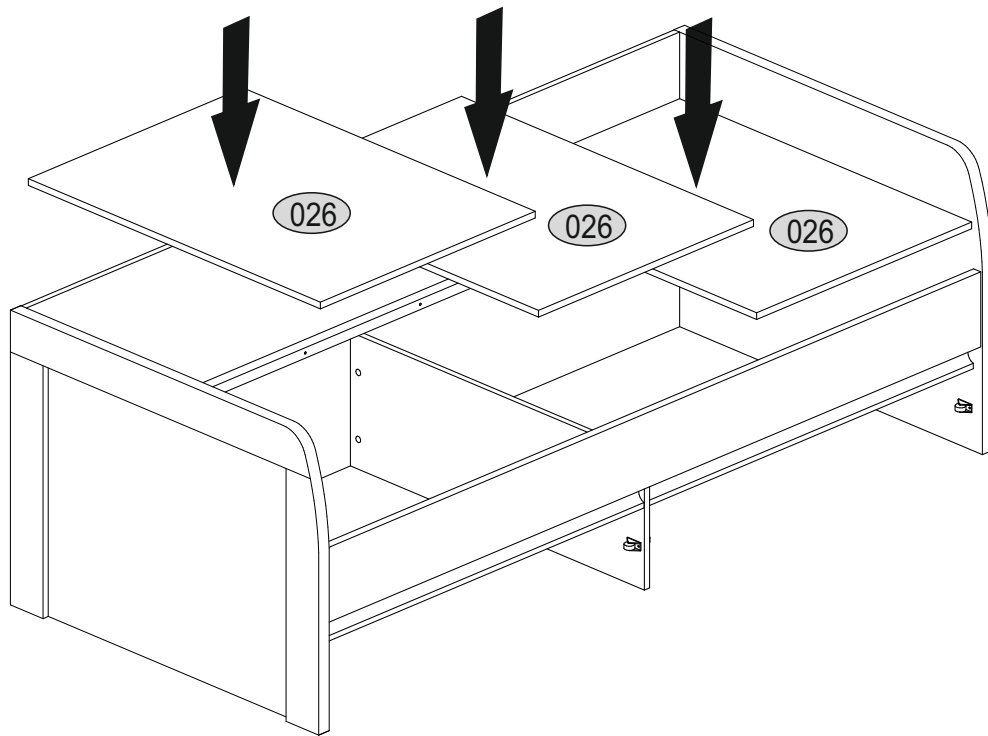
10



11



12



13

