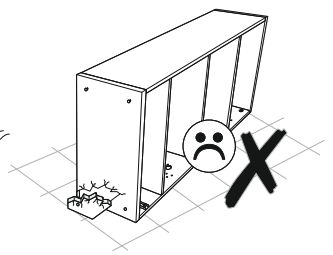
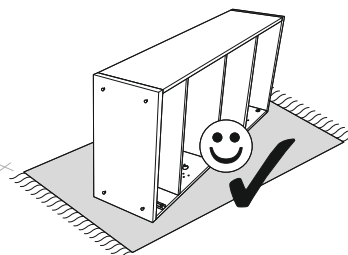
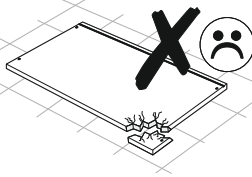
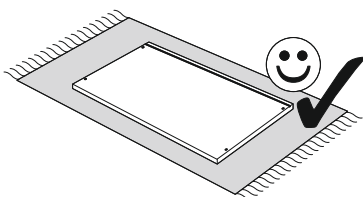
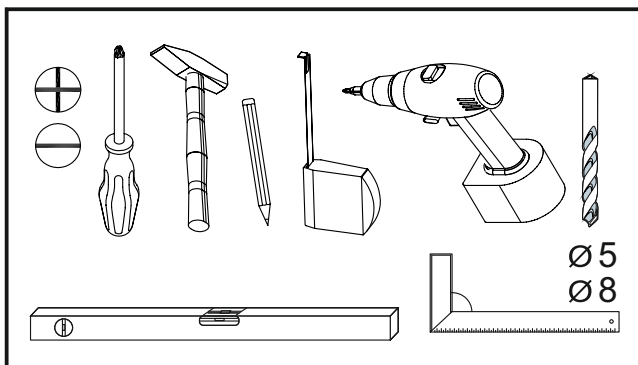
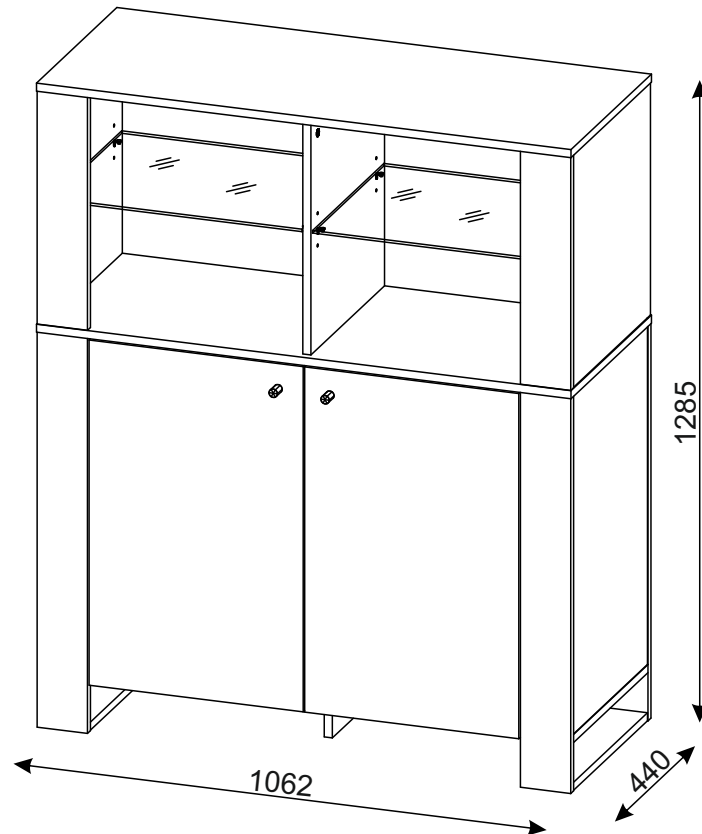
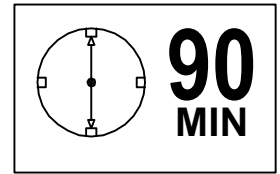
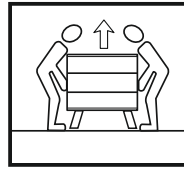
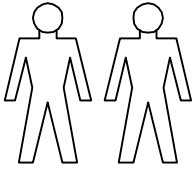

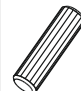


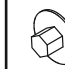

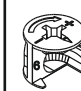



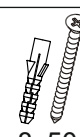

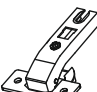
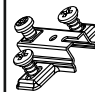



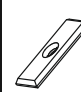
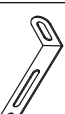

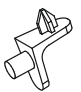


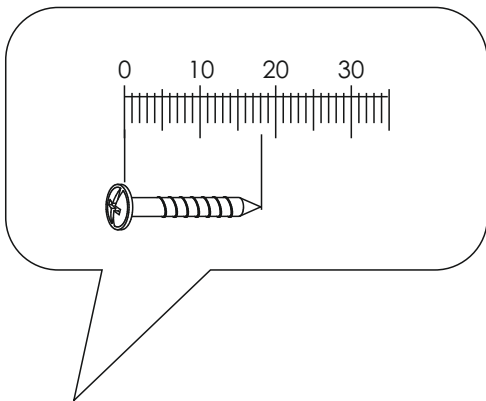


Wohnen WOOD Chest 2D

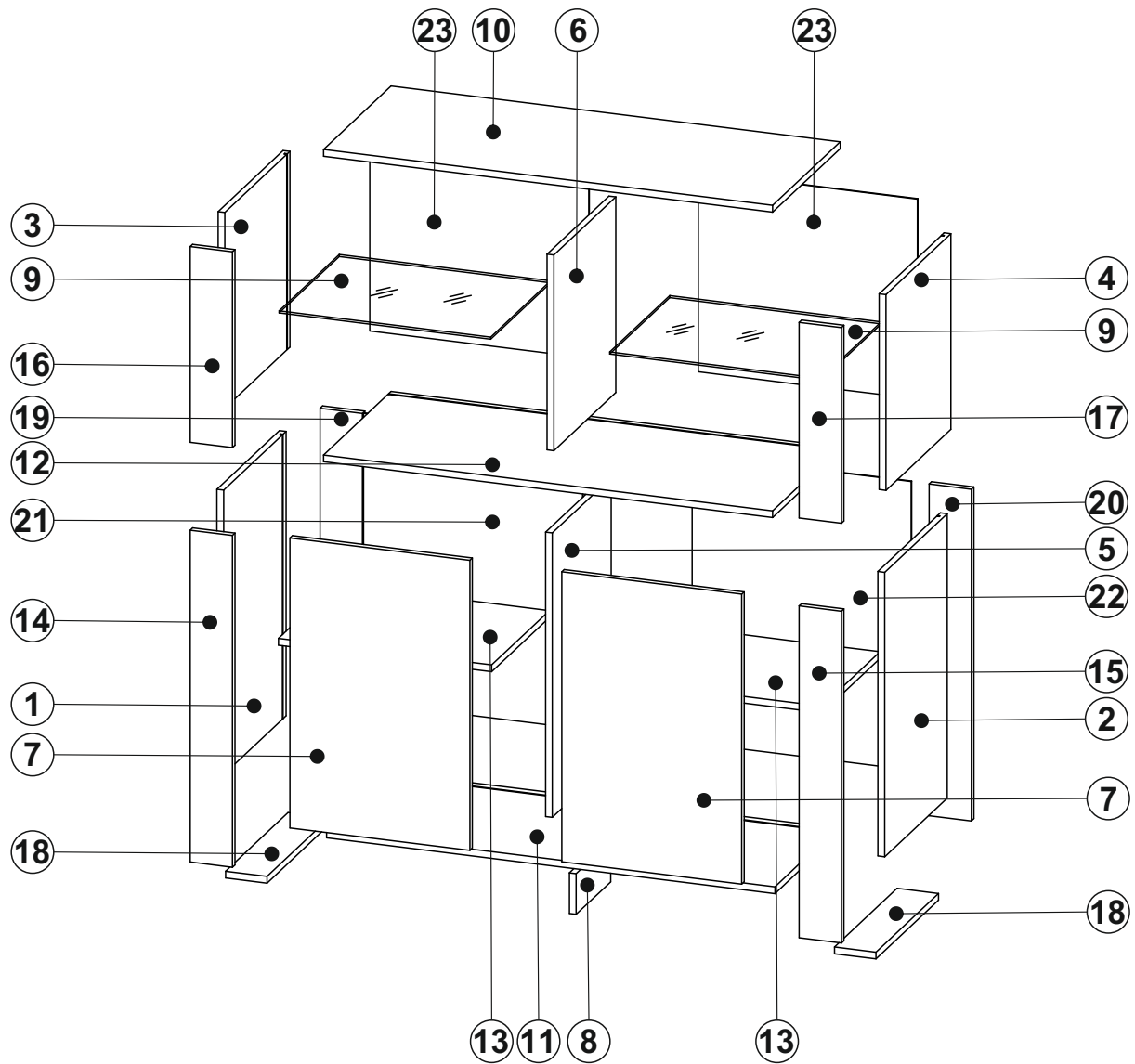


Wohnen WOOD Chest 2D

A0	A1	B1	C0	C0	C2	C7	D0	D5	D21	E0
										
ø8x30	ø8x50	ø7x50			16mm		3x15	3,5x16	5x13	8x50
x36	x10	x26	x20	x4	x32	x32	x28	x8	x1	x1
H2	J26	J27	K	L44	M1	M3	P0	Q1	Q3	T3
										
4x22		H=4	4mm							
x2	x4	x4	x1	x2	x20	x8	x1	x8	x8	x10
U0										
										
x4										




Wohnen WOOD Chest 2D

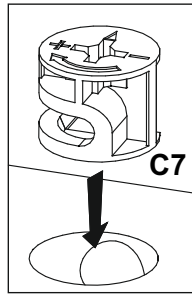
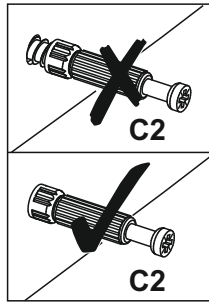
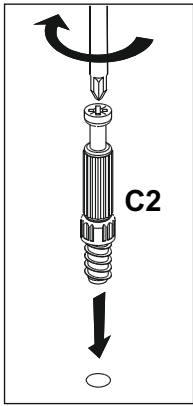





①	673	406	16	x1	1/2
②	673	406	16	x1	1/2
③	463	422	16	x1	1/2
④	463	422	16	x1	1/2
⑤	673	382	16	x1	1/2
⑥	463	402	16	x1	1/2
⑦	686	425.5	16	x2	1/2
⑧	96	224	16	x1	1/2
⑨	500	390	5	x2	1/2

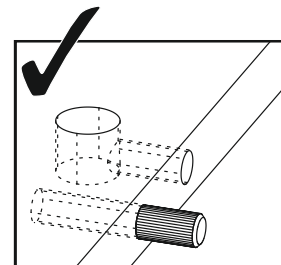
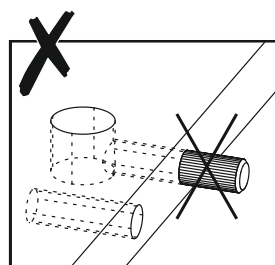
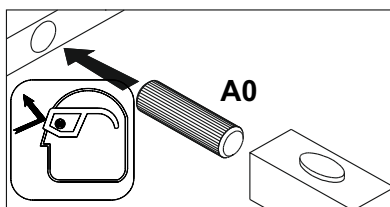
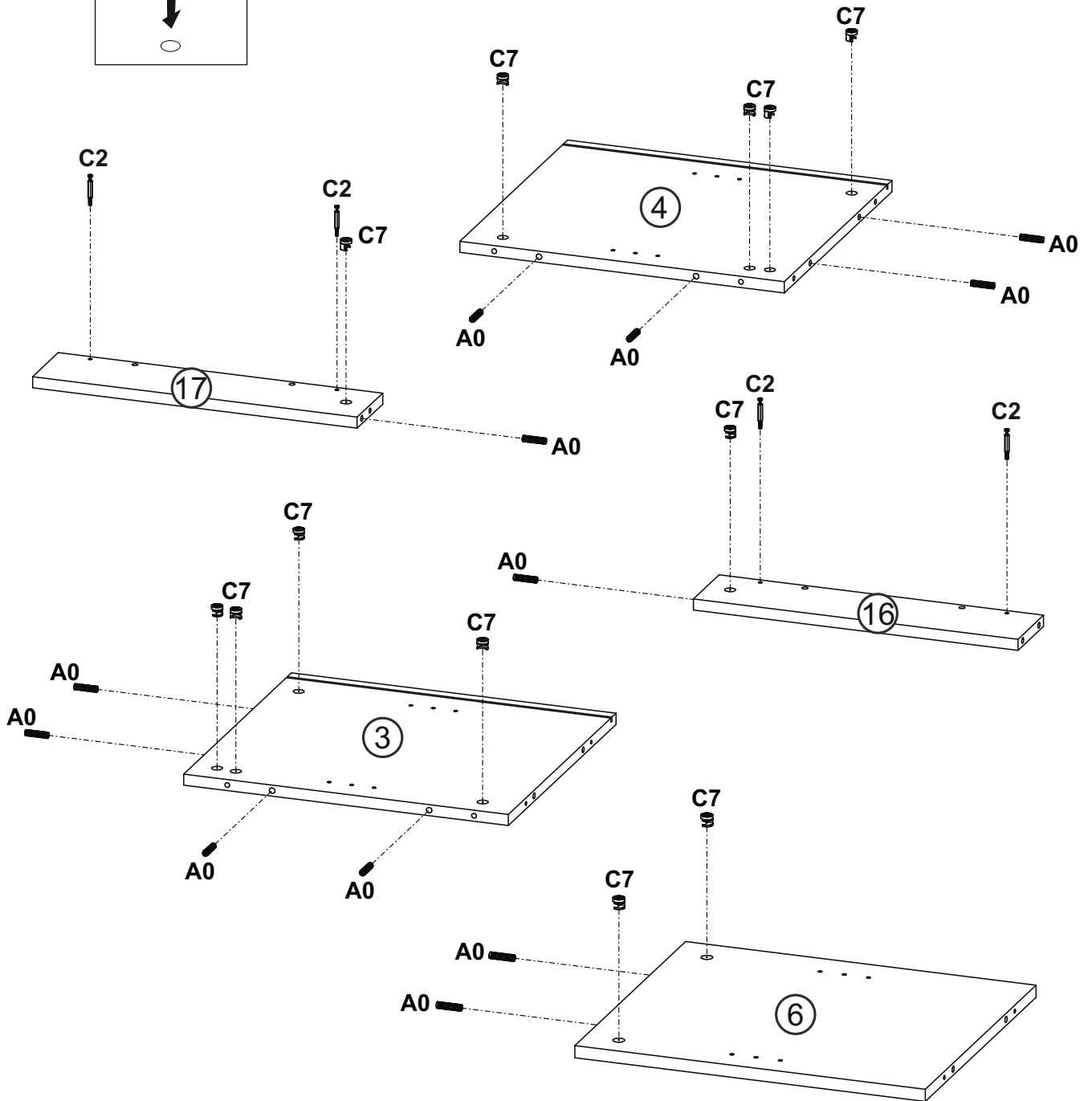
⑩	1062	439	16	x1	2/2
⑪	1060	406	16	x1	2/2
⑫	1062	439	16	x1	2/2
⑬	504	376	16	x2	2/2
⑭	785	100	16	x1	2/2
⑮	785	100	16	x1	2/2
⑯	463	100	16	x1	2/2
⑰	463	100	16	x1	2/2
⑱	406	98	16	x2	2/2

⑲	785	100	16	x1	2/2
⑳	785	100	16	x1	2/2
㉑	683	518	3	x1	2/2
㉒	683	518	3	x1	2/2
㉓	473	518	3	x2	2/2
					1/2





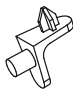
1

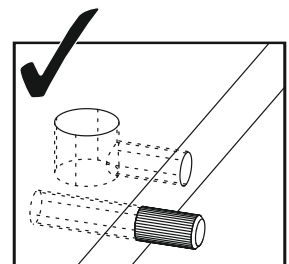
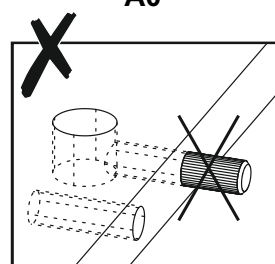
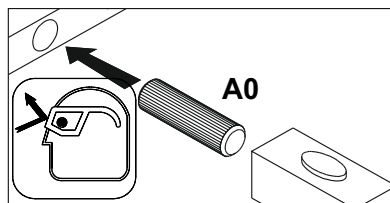
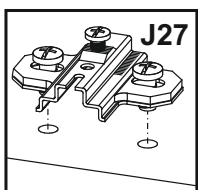
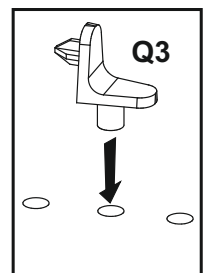
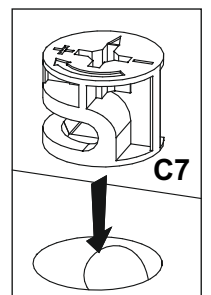
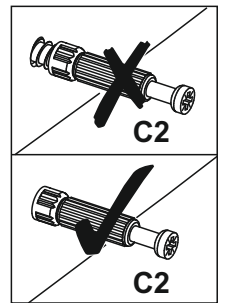
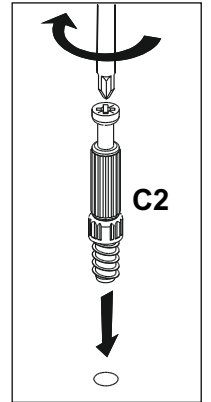
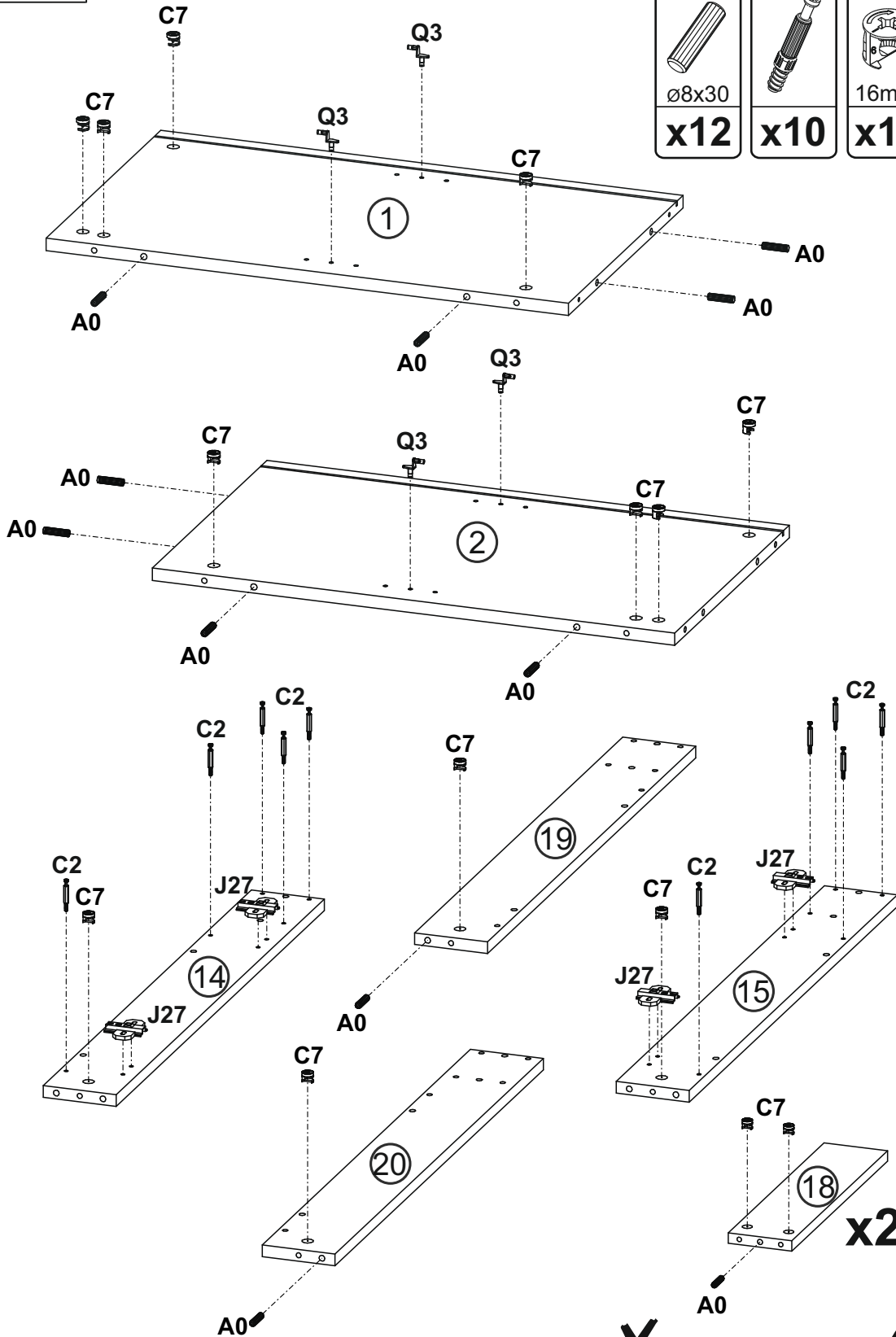


A0	C2	C7
 ø8x30		 16mm
x12	x4	x12

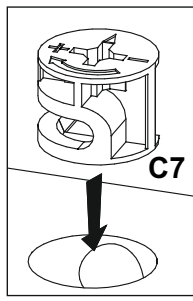
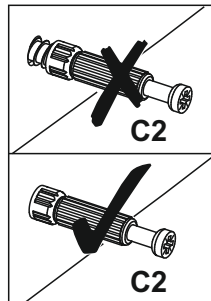
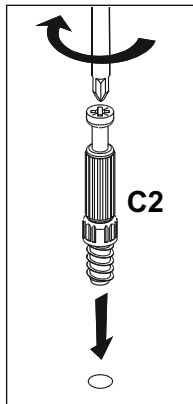





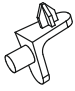
2

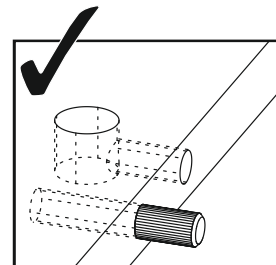
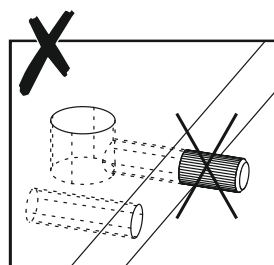
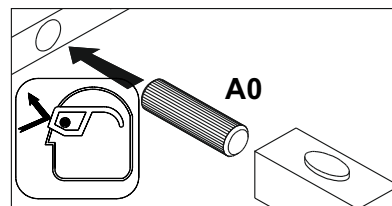
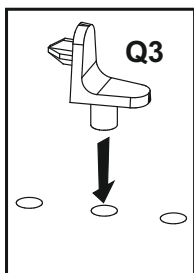
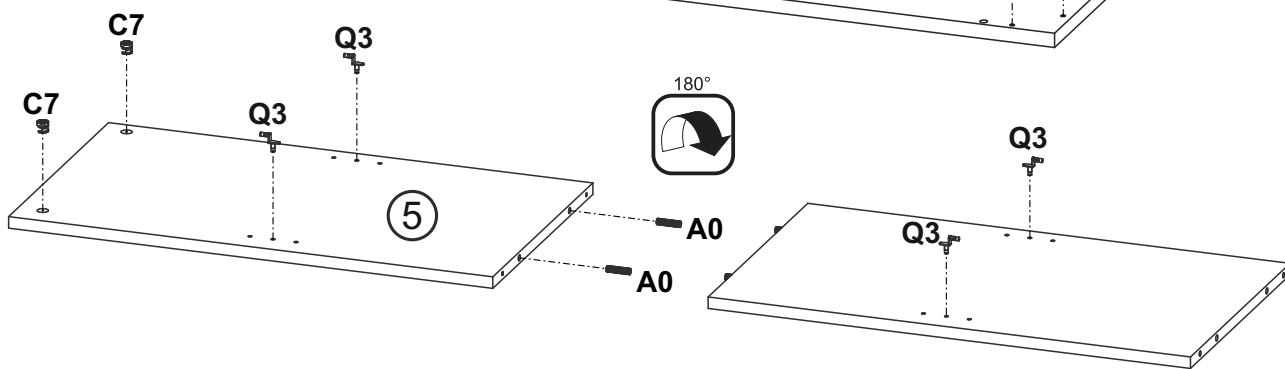
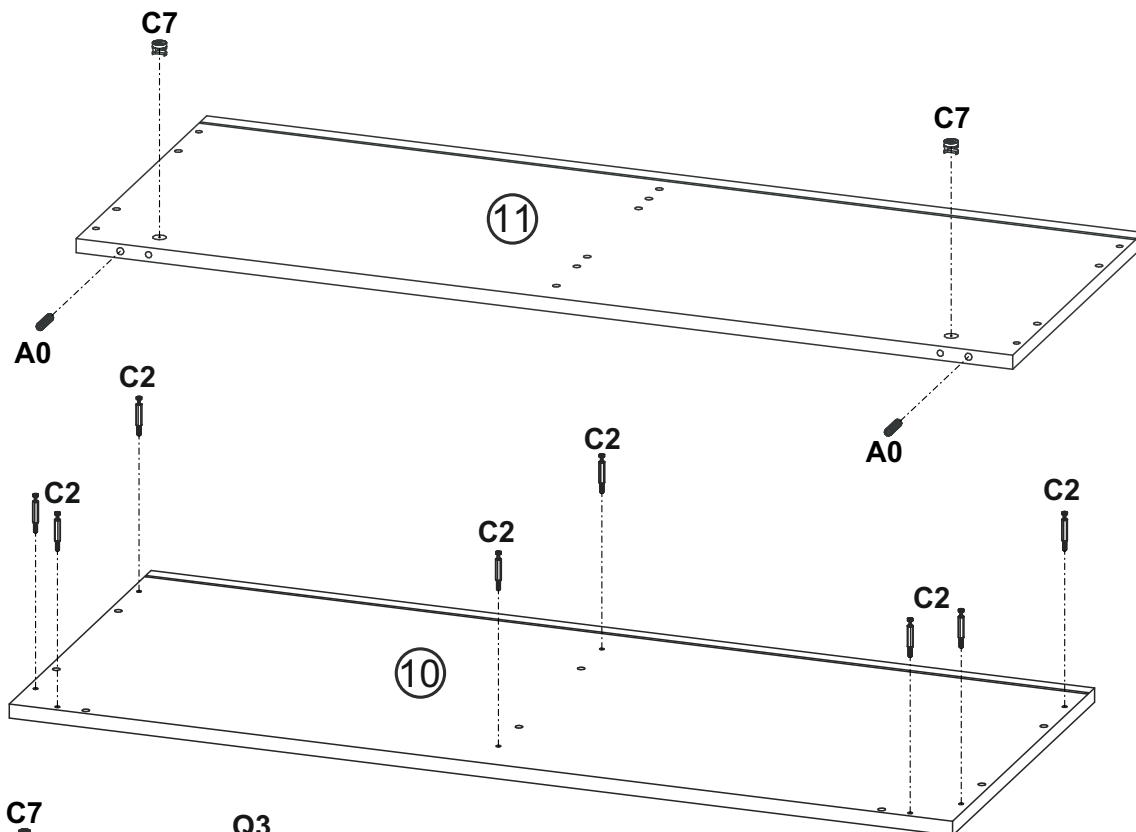
A0  ∅8x30 x12	C2  x10	C7  16mm x16	J27  H=4 x4	Q3  x4
---	--	--	---	---



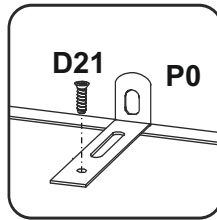
3



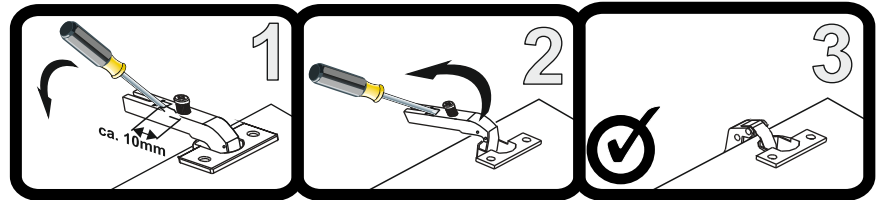
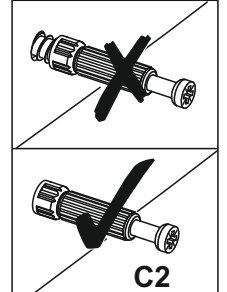
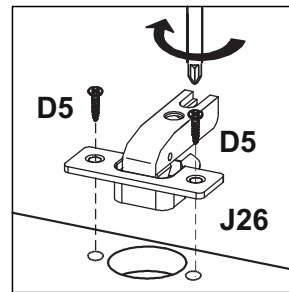
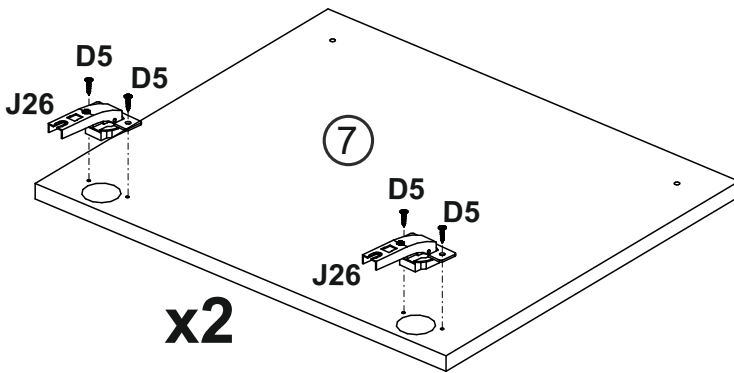
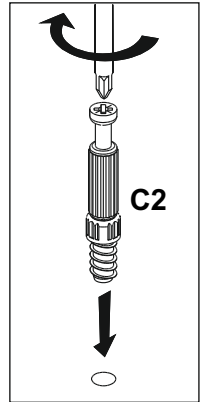
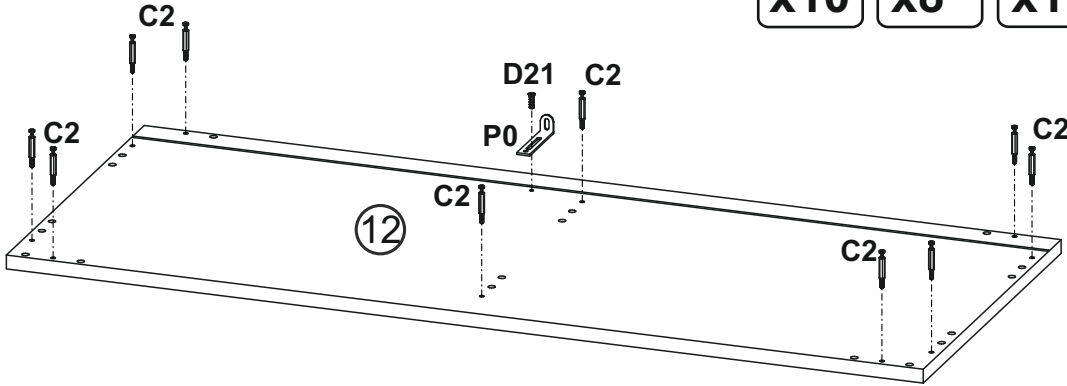
A0	C2	C7	Q3
			
∅8x30		16mm	
x4	x8	x4	x4



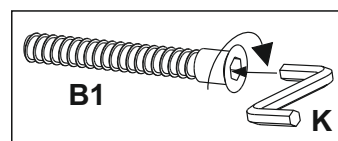
4



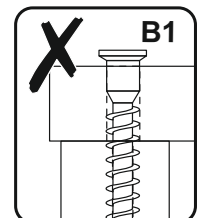
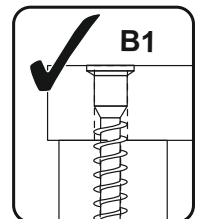
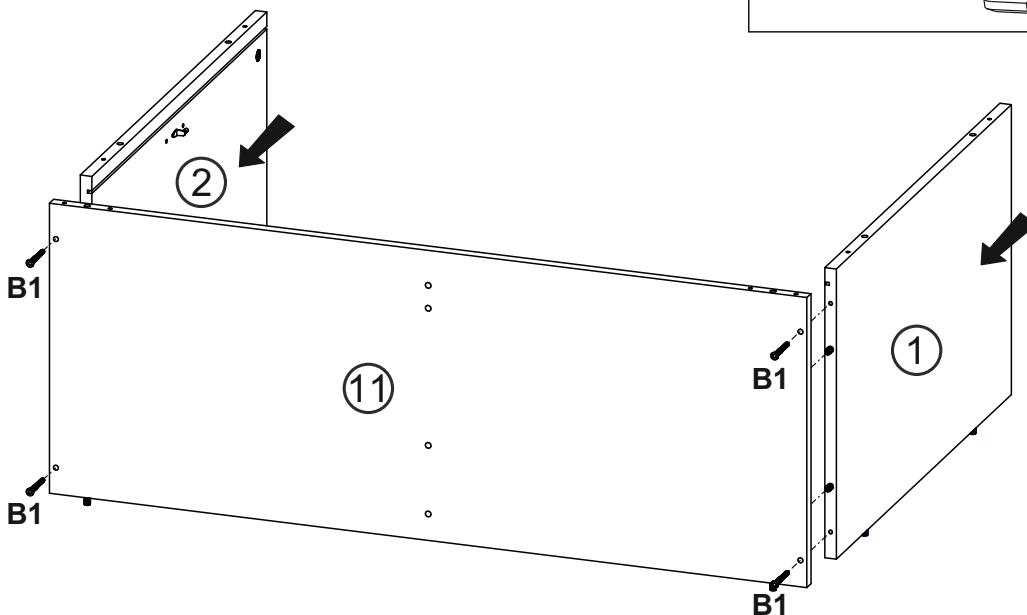
C2	D5	D21	J26	P0
x10	3,5x16 x8	5x13 x1	x4	x1



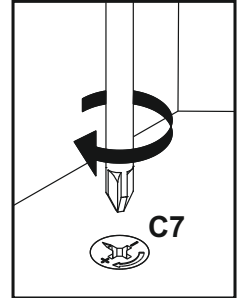
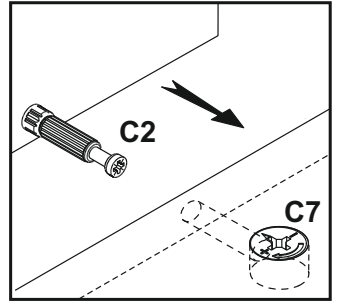
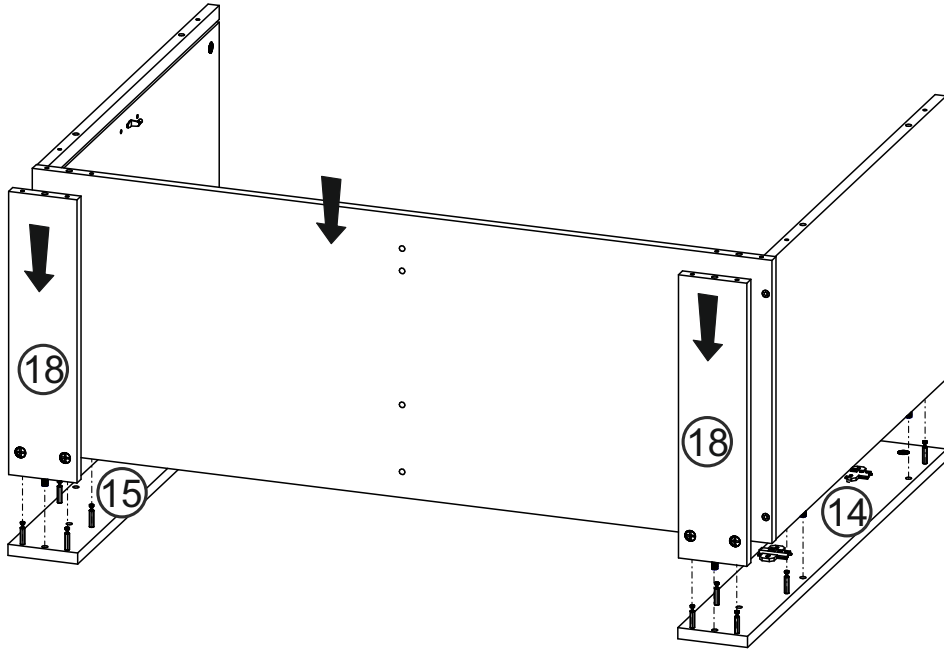
5



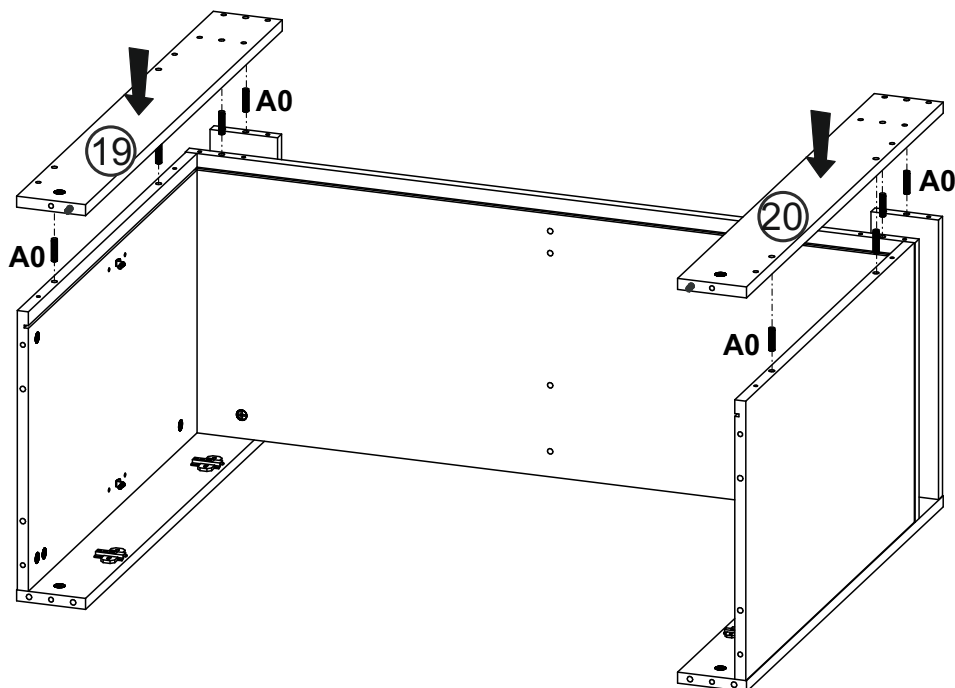
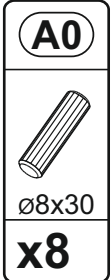
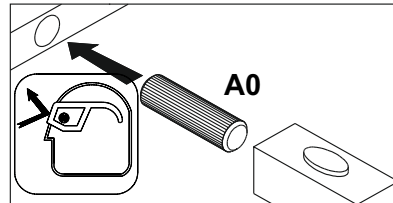
B1	K
ø7x50 x4	4mm x1



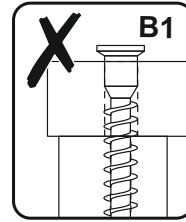
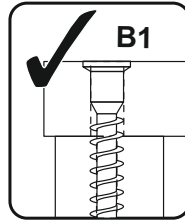
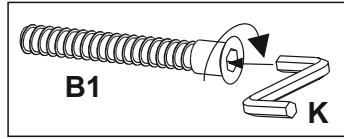
6





7

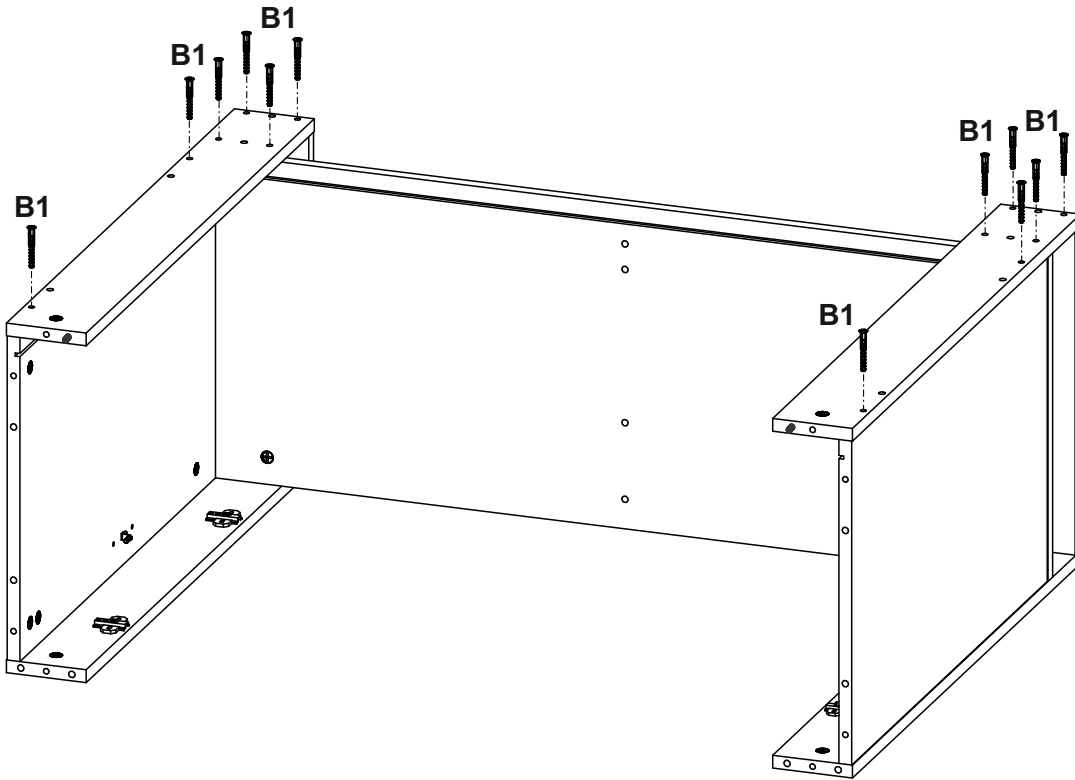


8

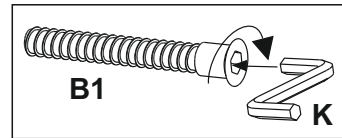
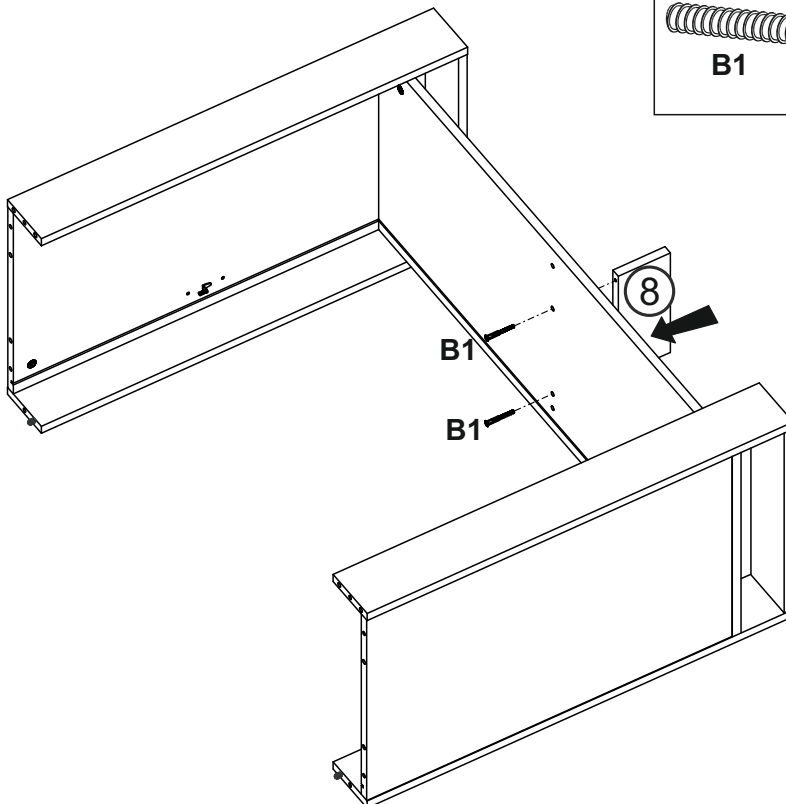


B1

ø7x50
x12

K

4mm
x1




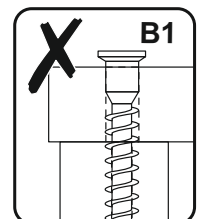
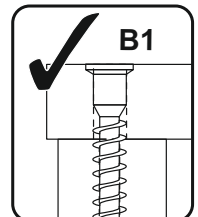
9



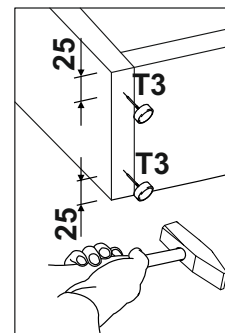
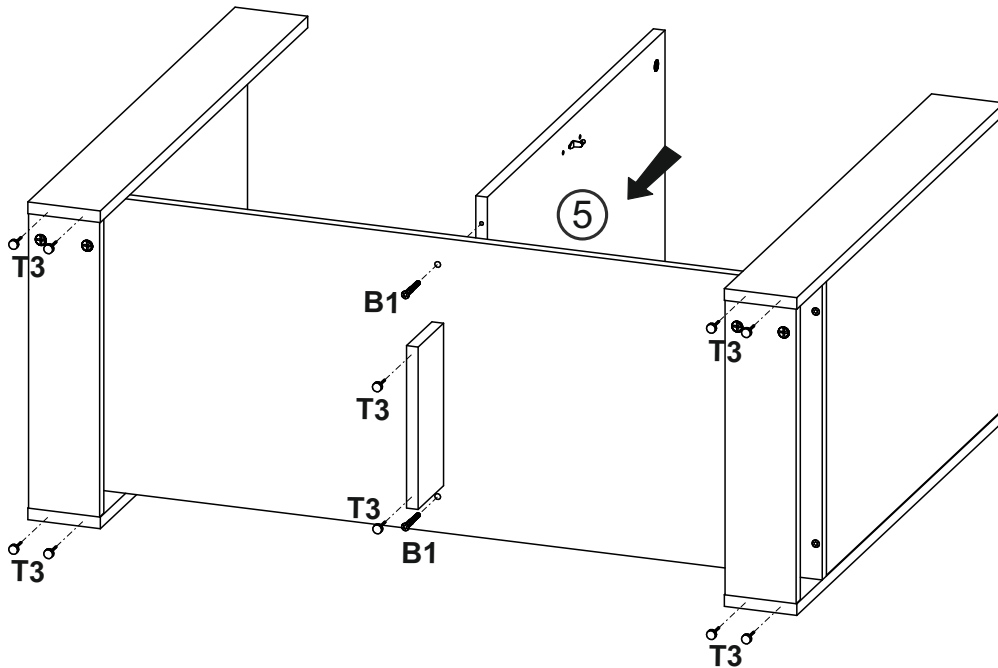
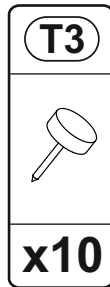
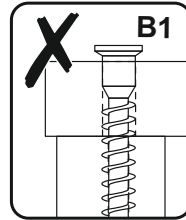
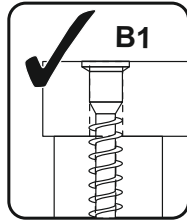
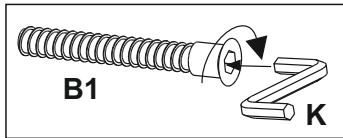
B1

ø7x50
x2

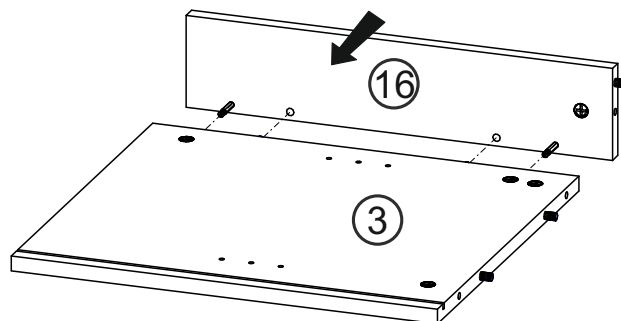
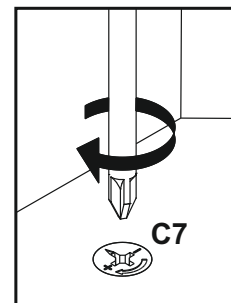
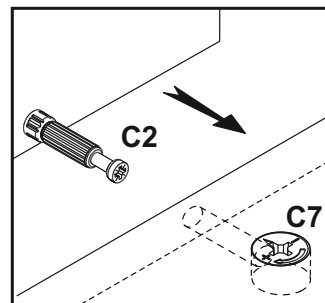
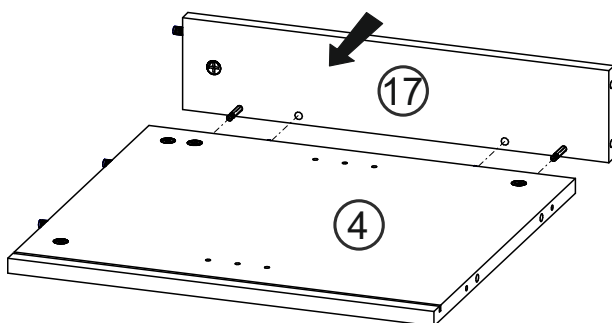
K

4mm
x1



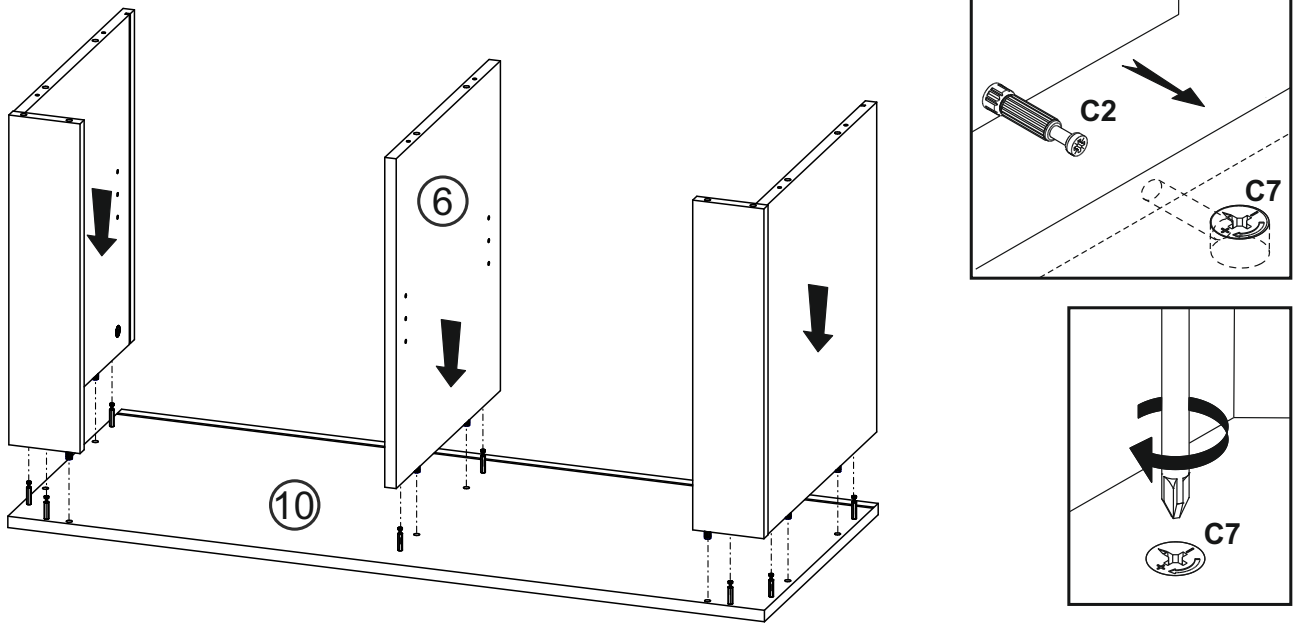
10



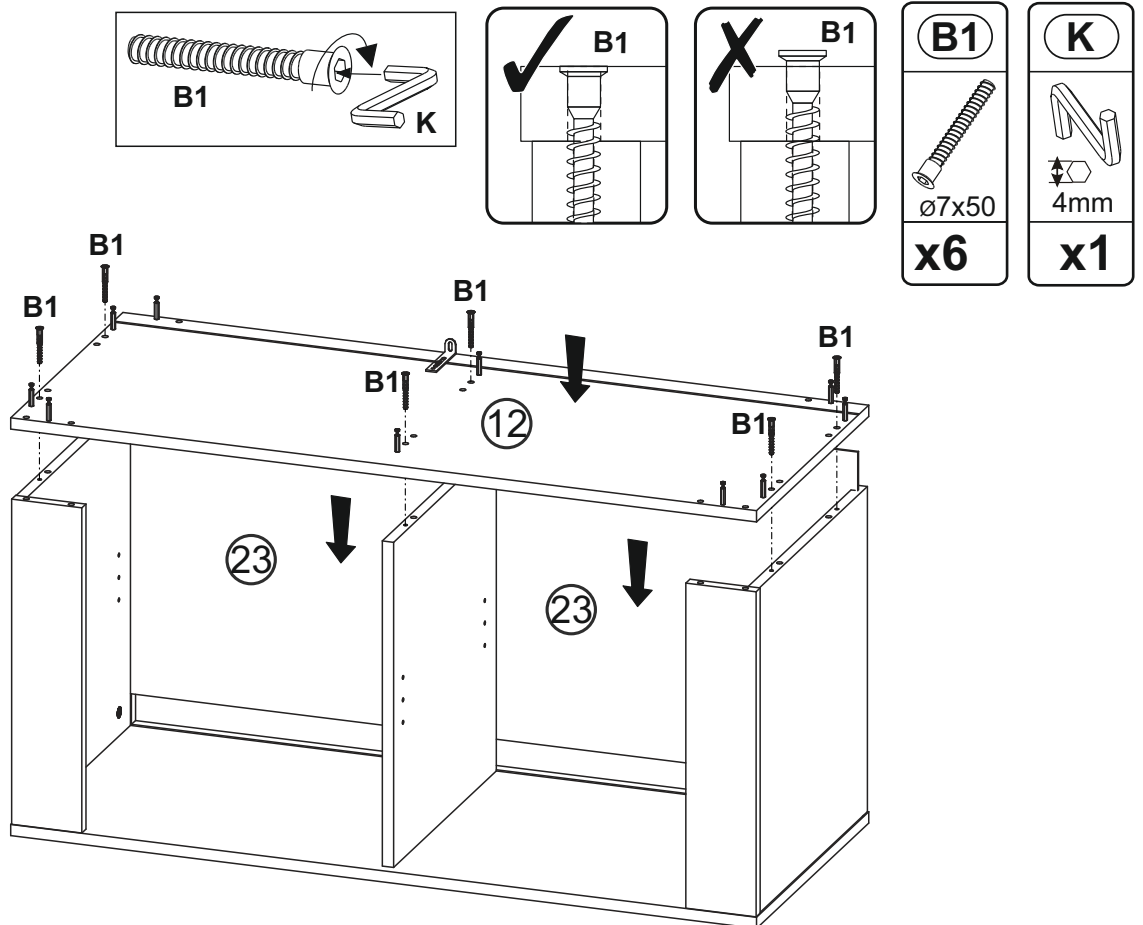
11



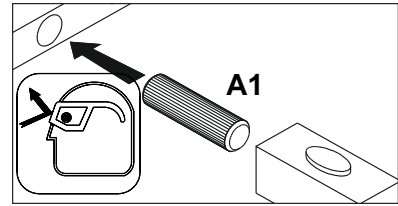
12



13

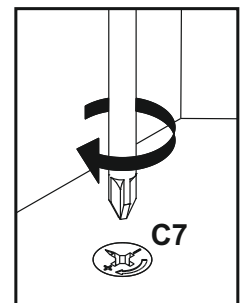
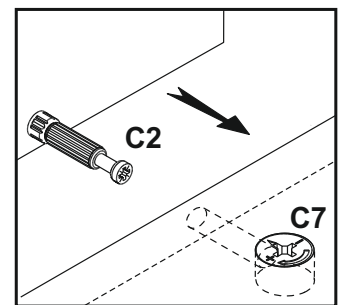
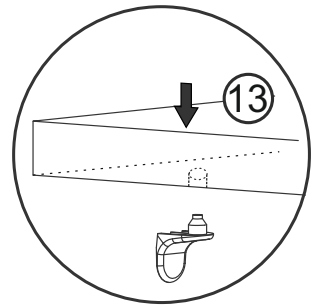
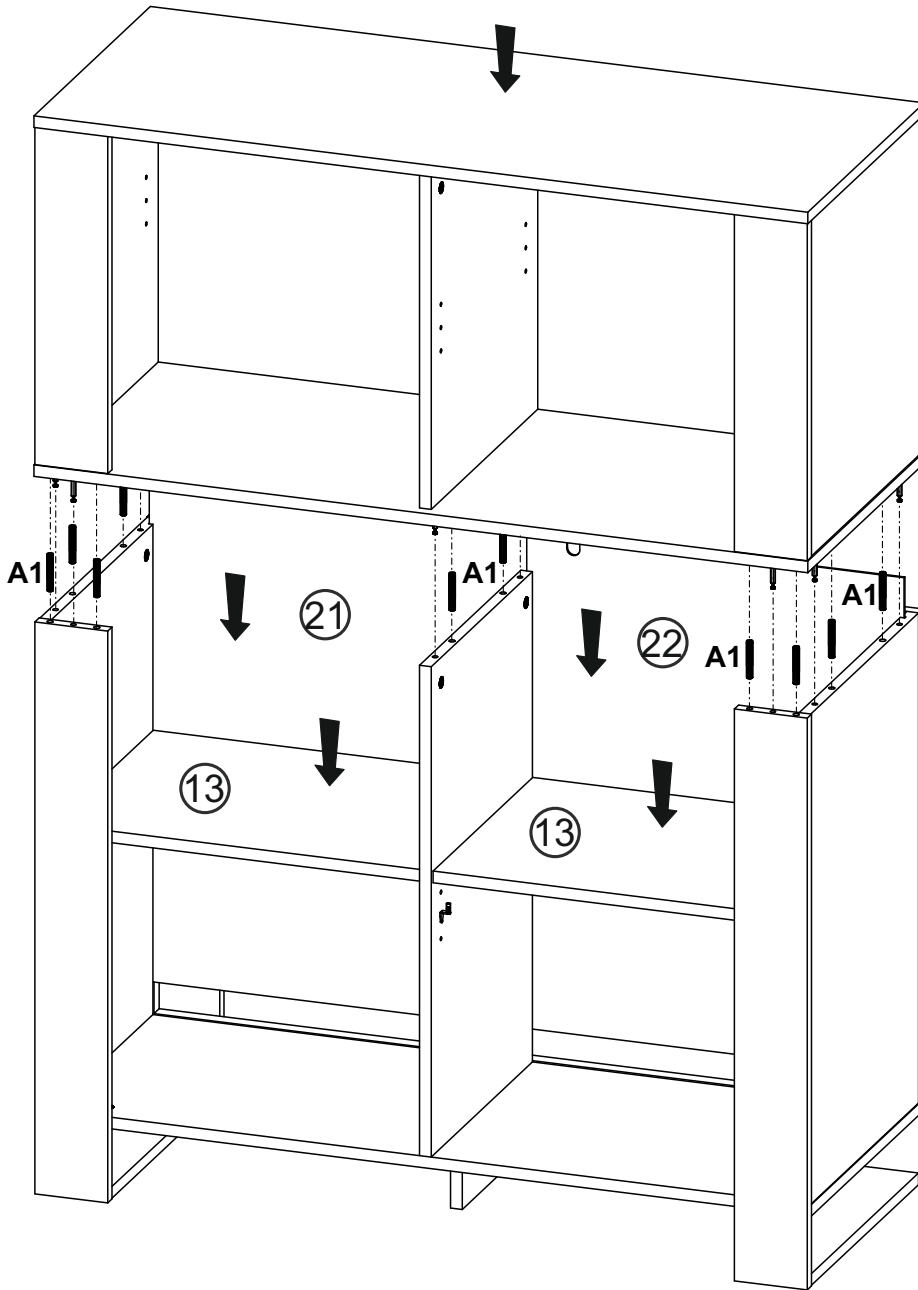


14

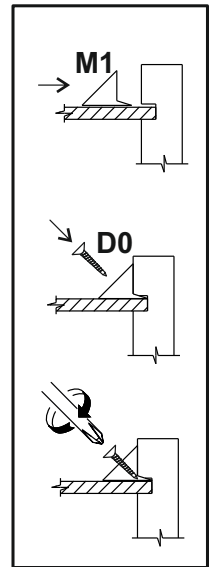
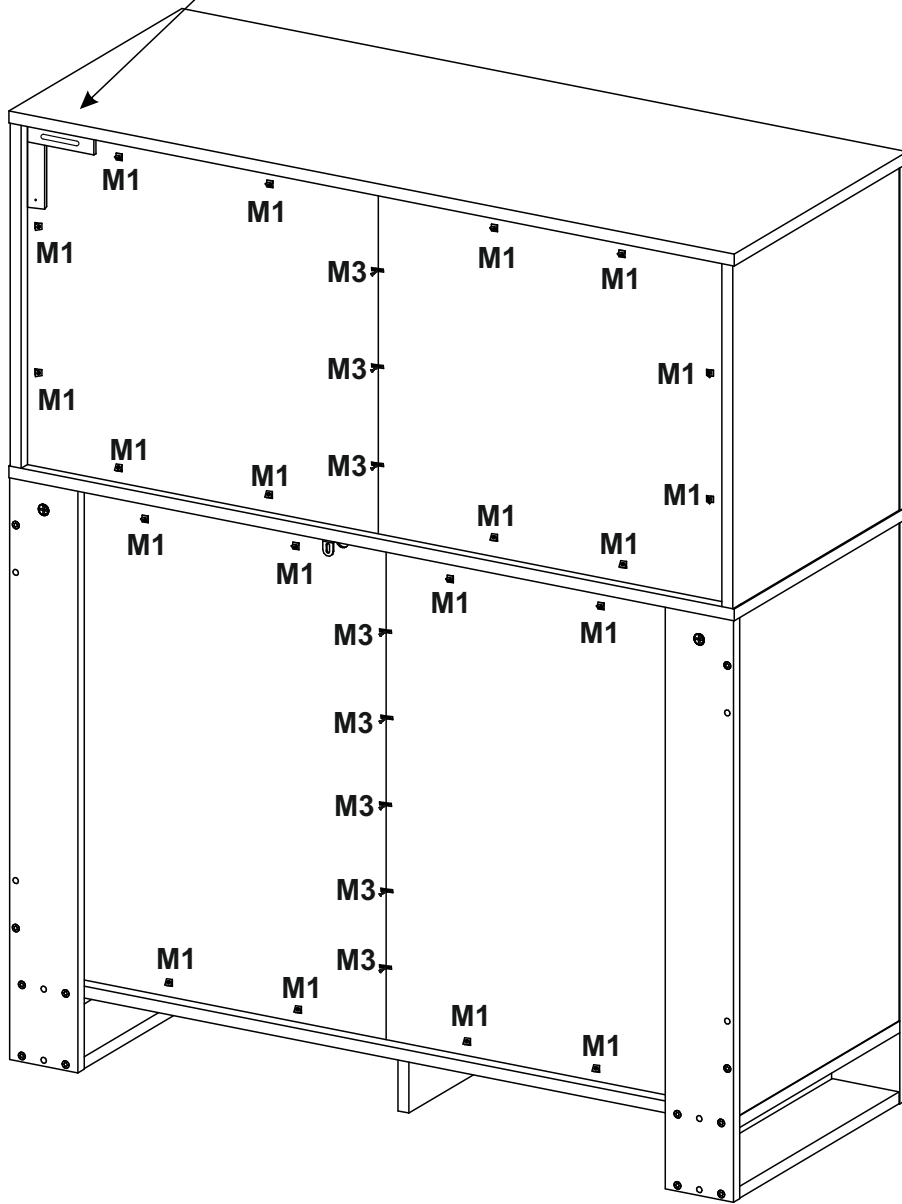
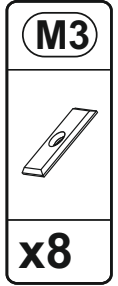
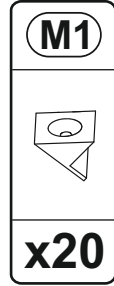
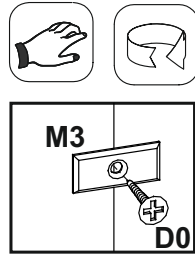
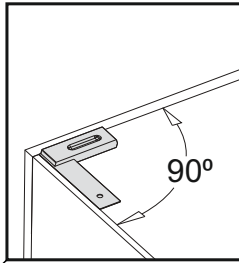


A1

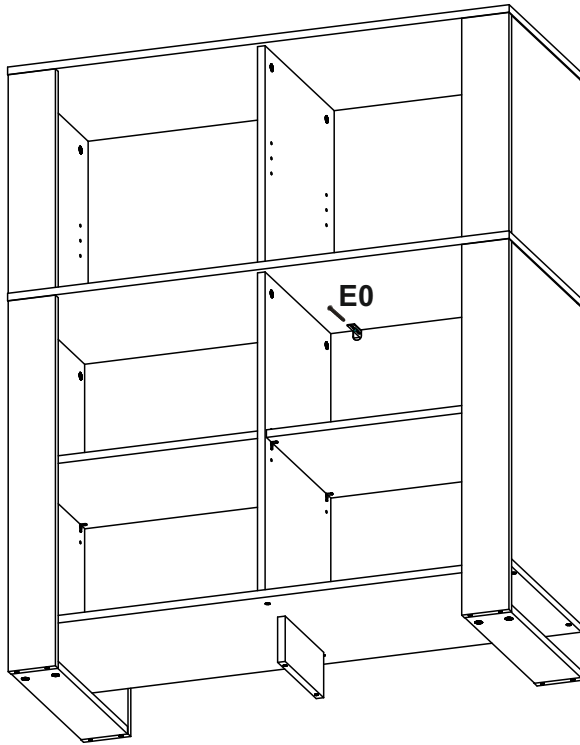
ø8x50
x10



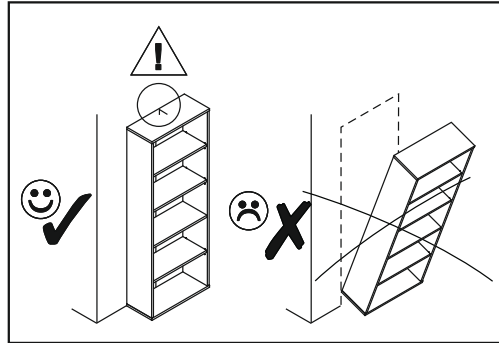
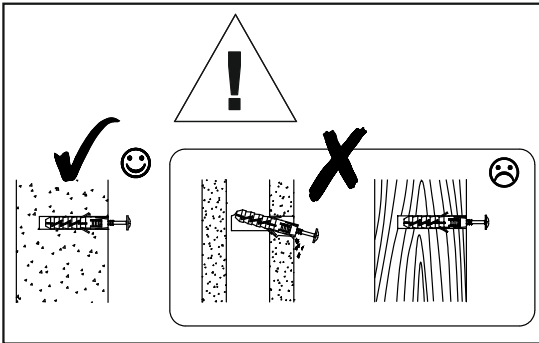
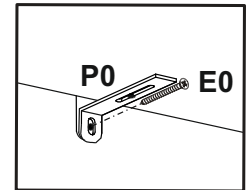
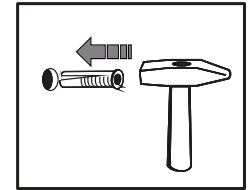
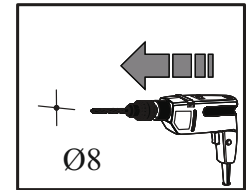
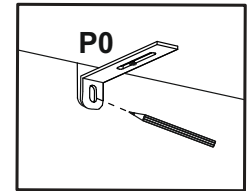
15



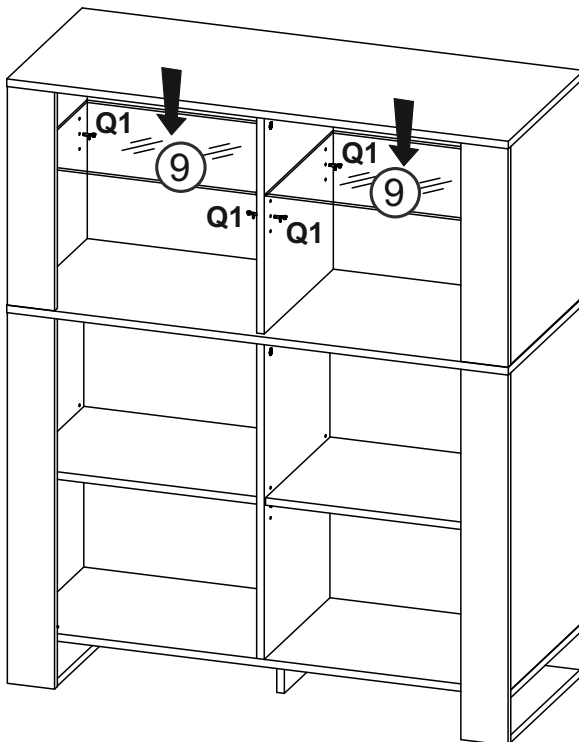
16



E0
8x50
x1



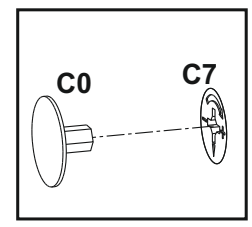
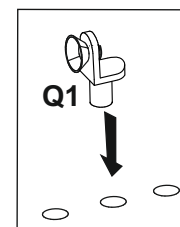
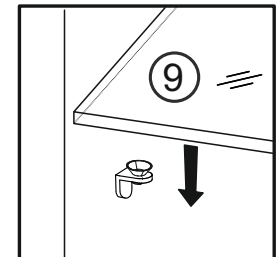
17



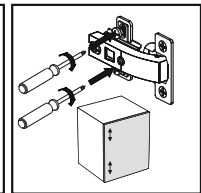
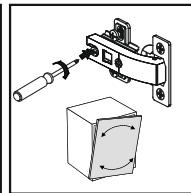
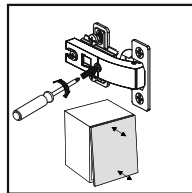
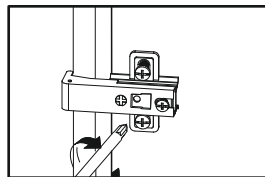
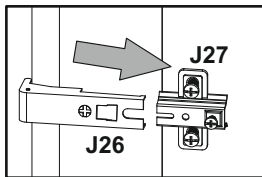
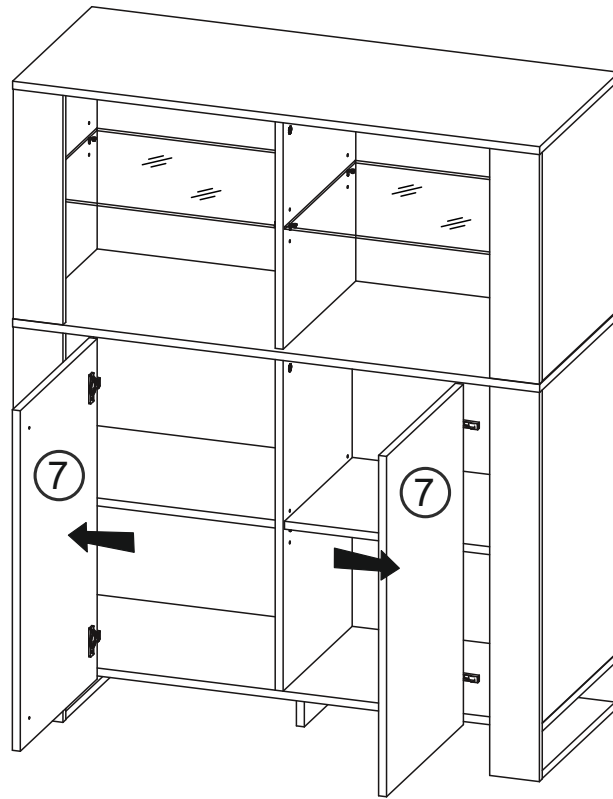
C0
x20

C0
x4

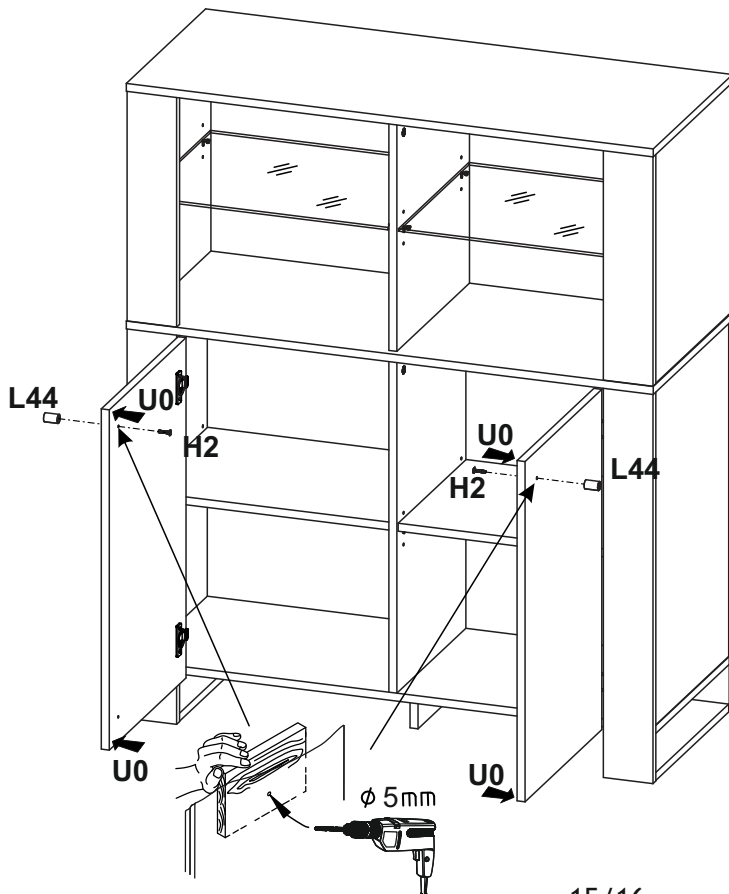
Q1
x8






18



19



H2	L44	U0
		
4x22		
x2	x2	x4

