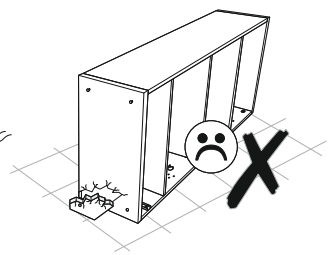
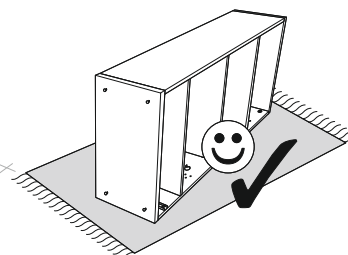
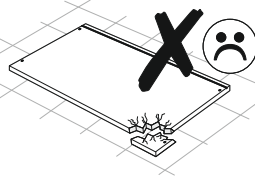
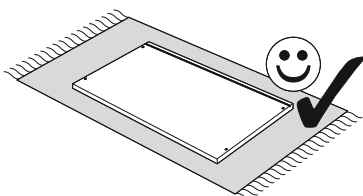
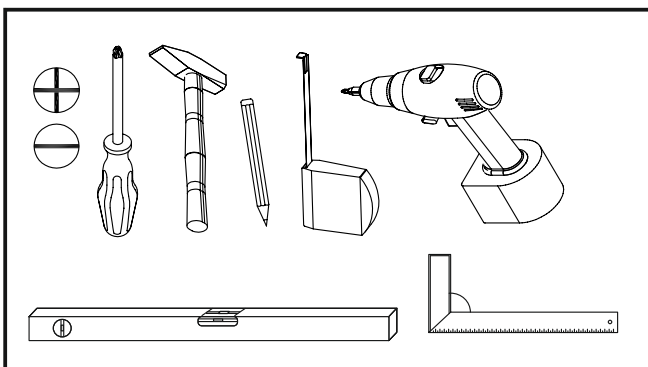
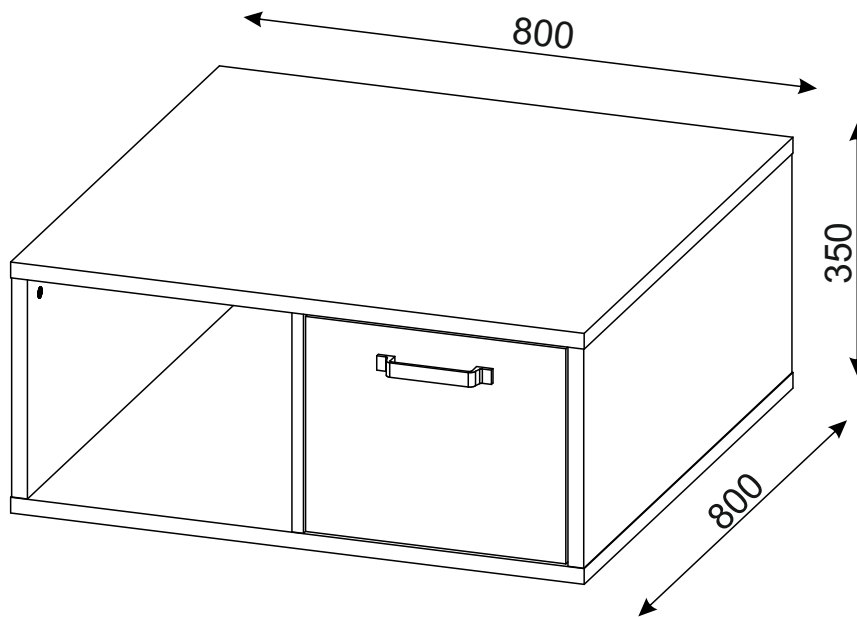
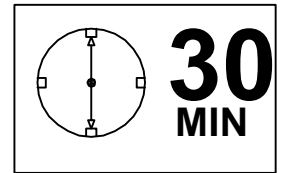
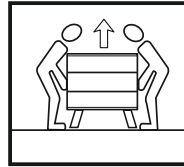
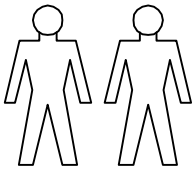











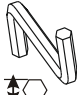





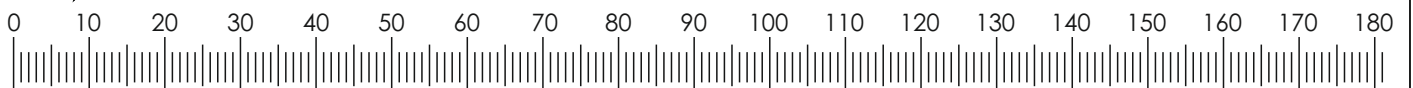
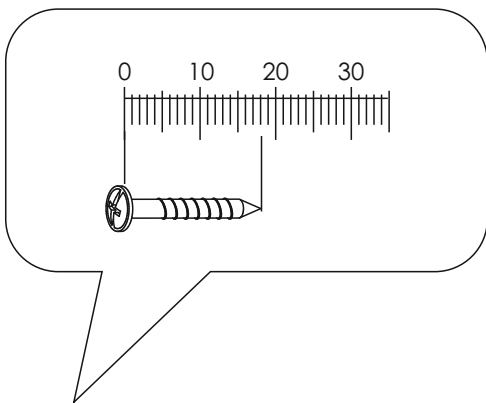


BARI Coffee table 800x800




BARI Coffee table 800x800

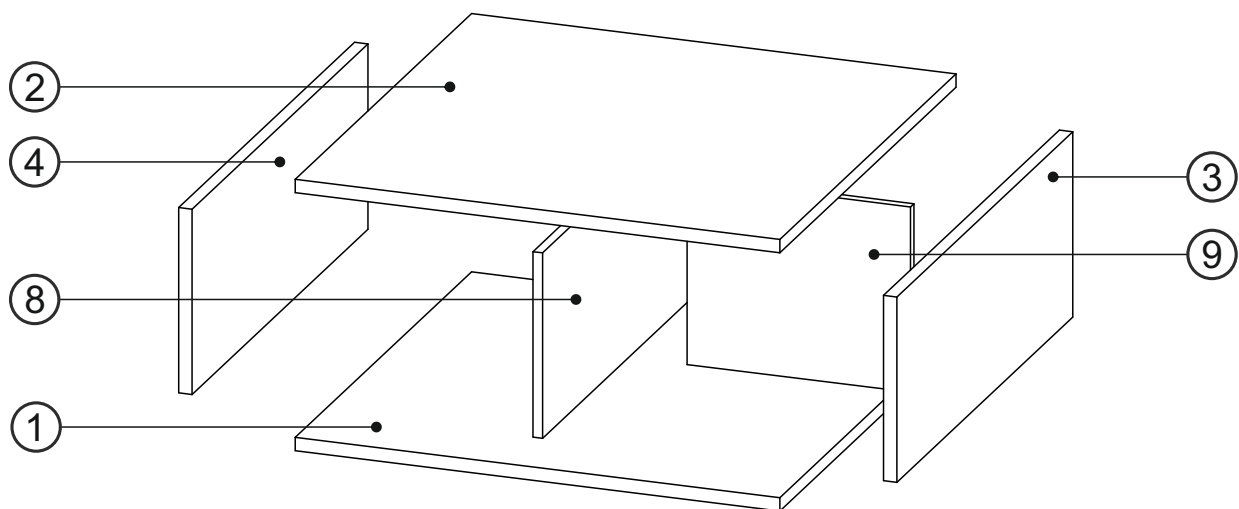
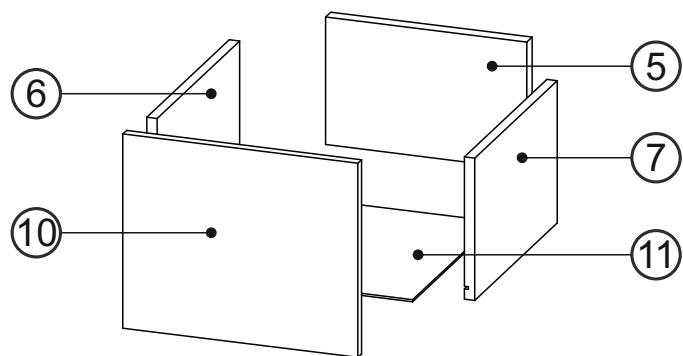
| | | | | | | | | | | |
|---|---|--|---|---|--|--|---|---|---|---|
| A0  Ø8x30 x32 | B0  Ø 7mm x16 | B1  Ø7x50 x4 | B2  Ø7x70 x12 | C0  Ø16mm x16 | C0  Ø16mm x4 | C2  x20 | C7  16mm x20 | D0  3x15 x6 | D21  5x13 x14 | H2  4x22 x2 |
| K  4mm x1 | L42  x1 | M1  x6 | N7  L-350 x1 | T8  x5 | U2  x9 | | | | | |



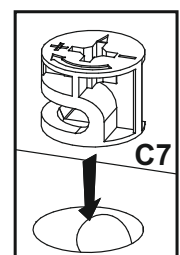
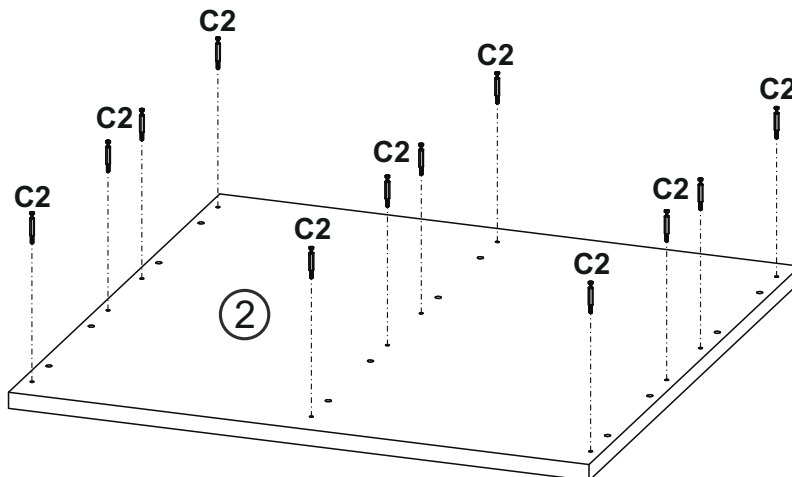
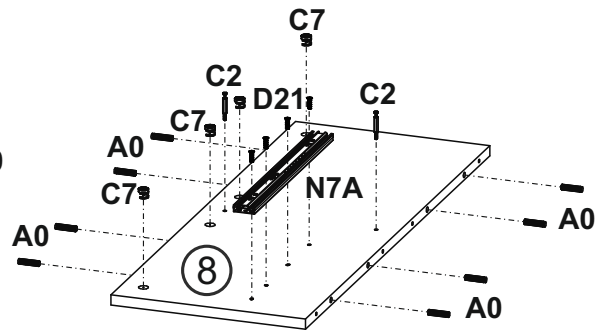
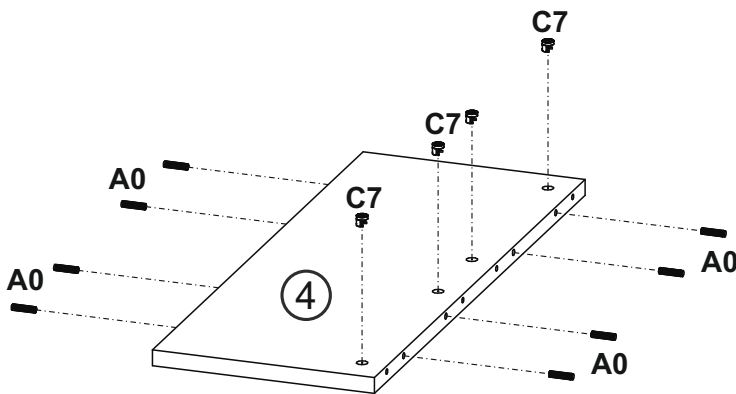
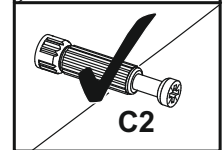
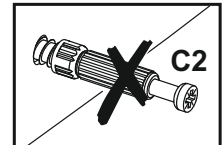
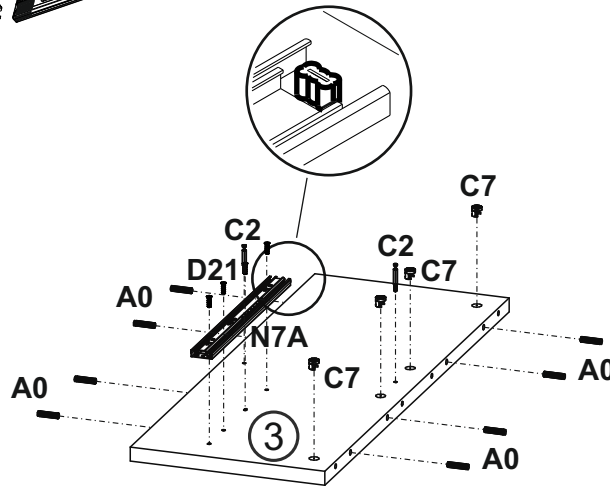
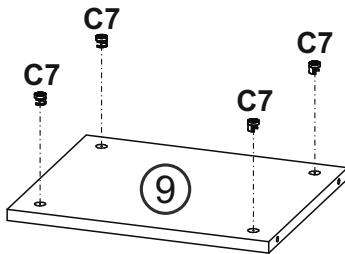
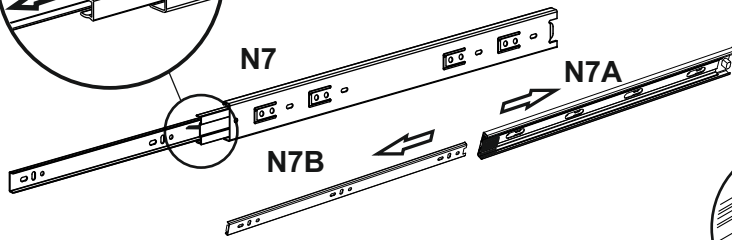
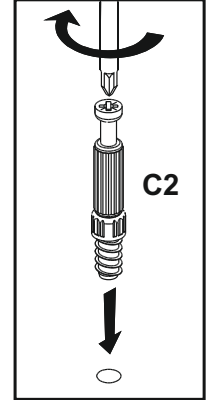
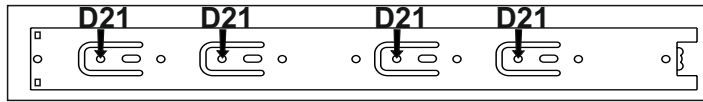
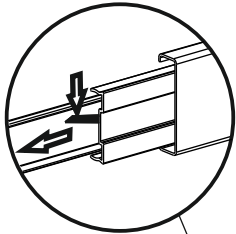
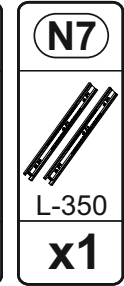
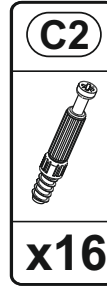
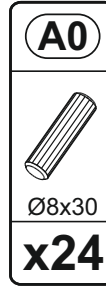
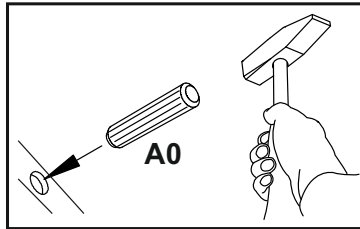
BARI Coffee table 800x800

| | | | | | |
|---|-----|-----|----|----|-----|
| ① | 800 | 800 | 22 | x1 | 1/1 |
| ② | 800 | 800 | 22 | x1 | 1/1 |
| ③ | 306 | 798 | 22 | x1 | 1/1 |
| ④ | 306 | 798 | 22 | x1 | 1/1 |
| ⑤ | 197 | 311 | 22 | x1 | 1/1 |
| ⑥ | 220 | 350 | 16 | x1 | 1/1 |
| ⑦ | 220 | 350 | 16 | x1 | 1/1 |

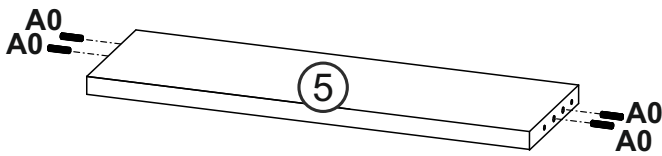
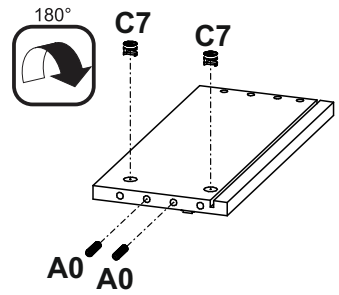
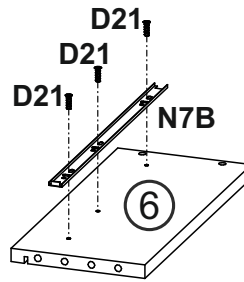
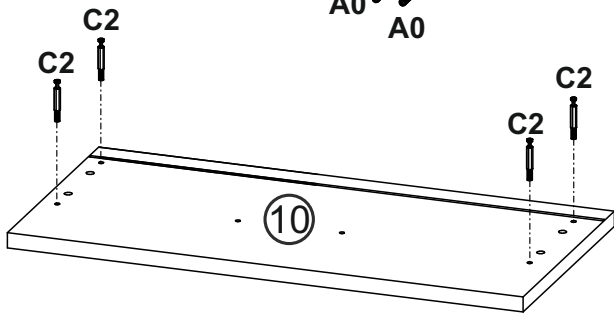
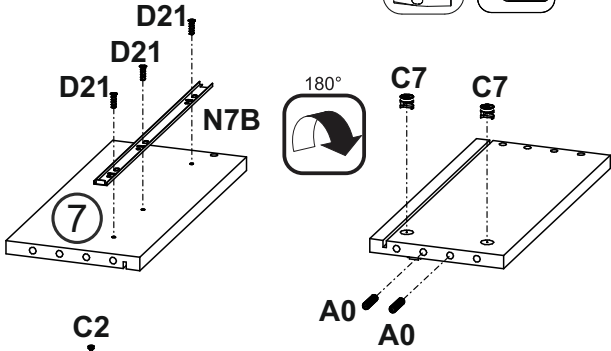
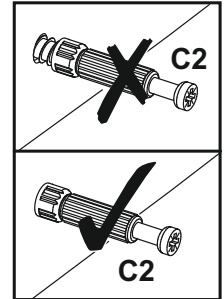
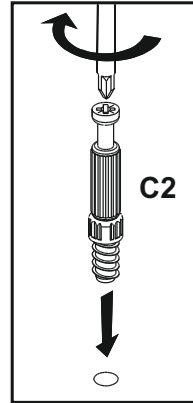
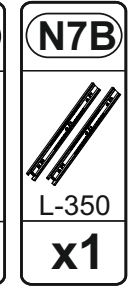
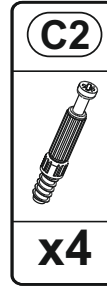
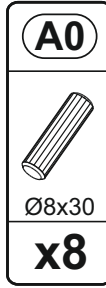
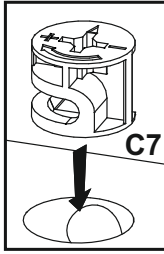
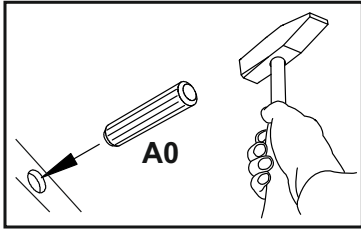
| | | | | | |
|---|-----|-----|----|----|-----|
| ⑧ | 306 | 798 | 16 | x1 | 1/1 |
| ⑨ | 306 | 369 | 16 | x1 | 1/1 |
| ⑩ | 363 | 300 | 16 | x1 | 1/1 |
| ⑪ | 321 | 353 | 3 | x1 | 1/1 |
|  | | | | | 1/1 |



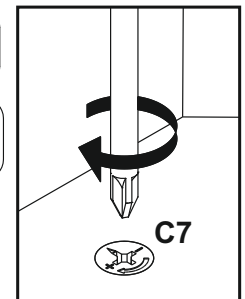
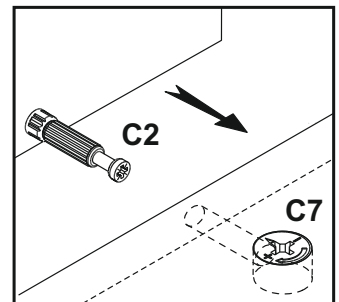
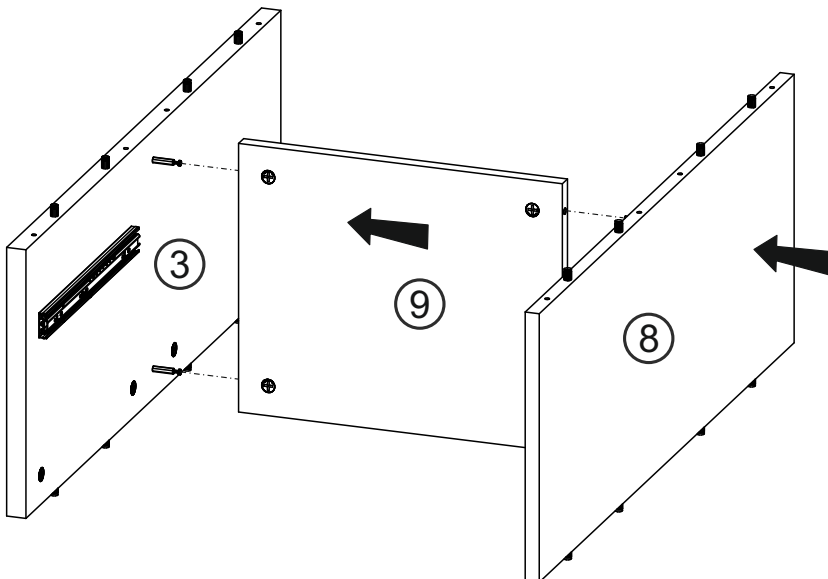
1



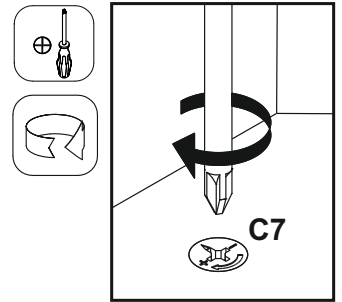
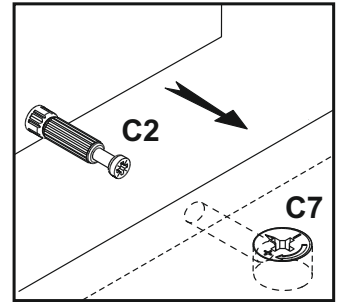
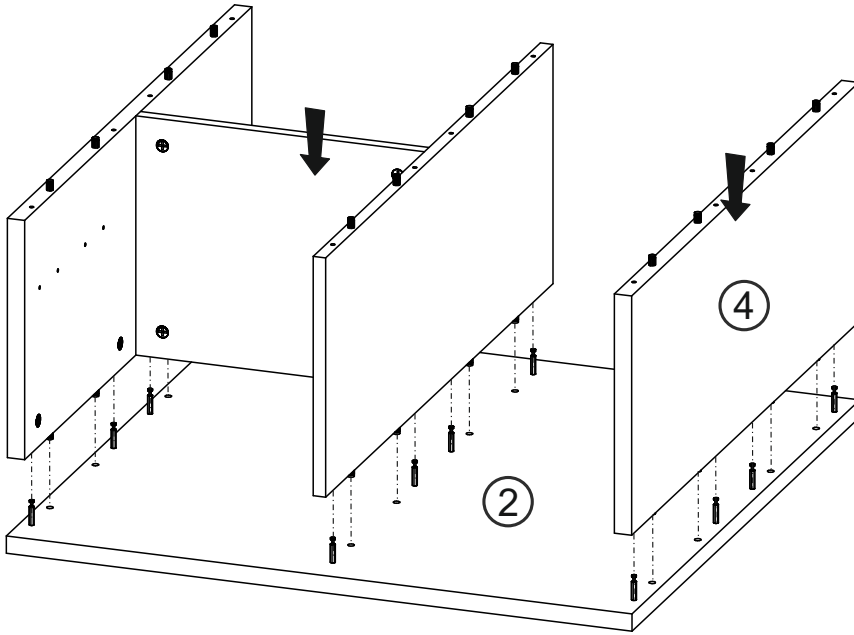
2



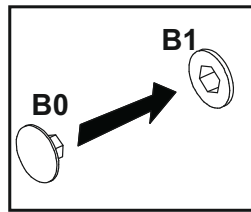
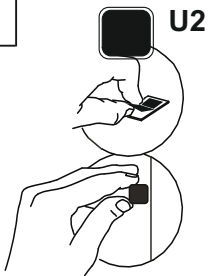
3



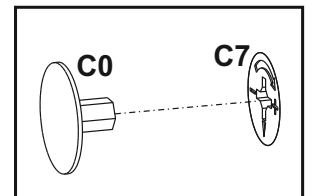
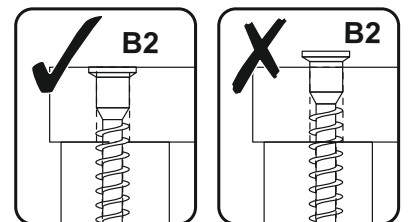
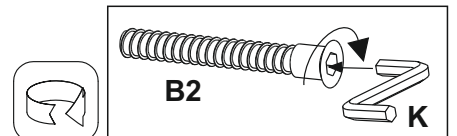
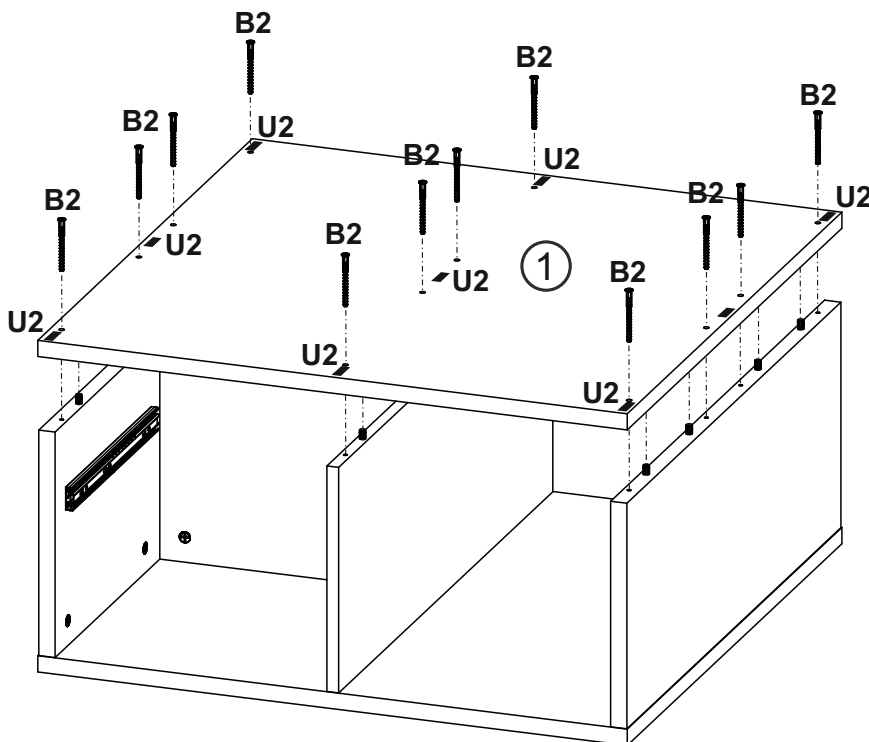
4












5

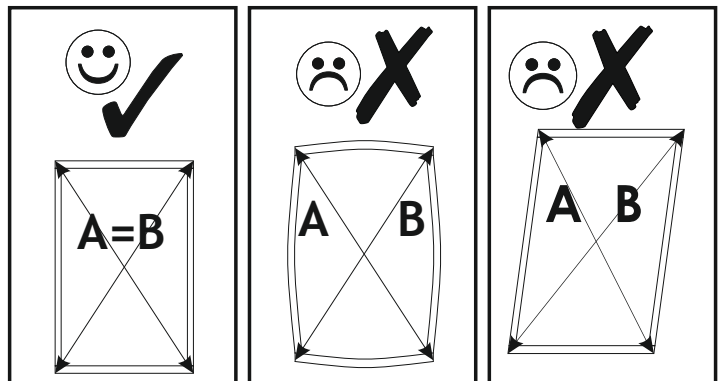
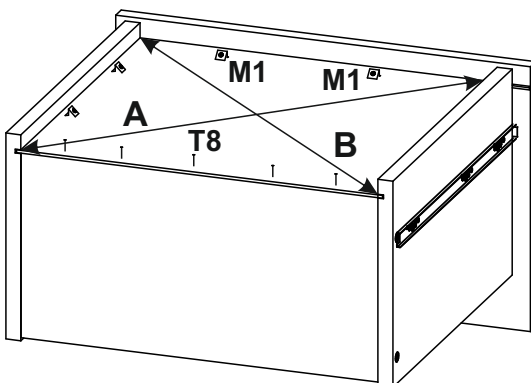
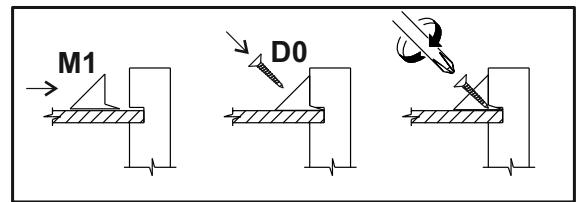
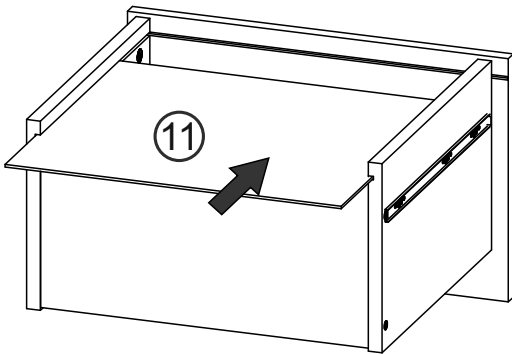
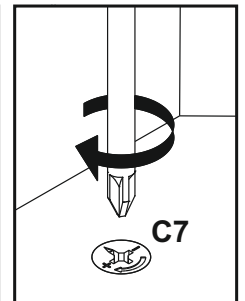
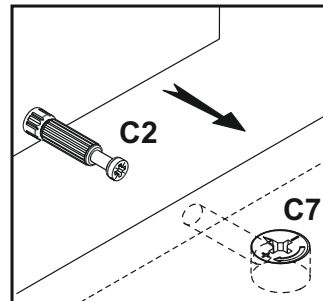
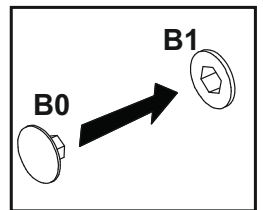
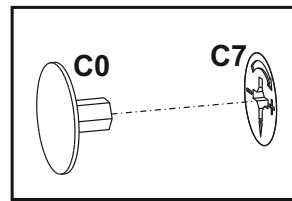
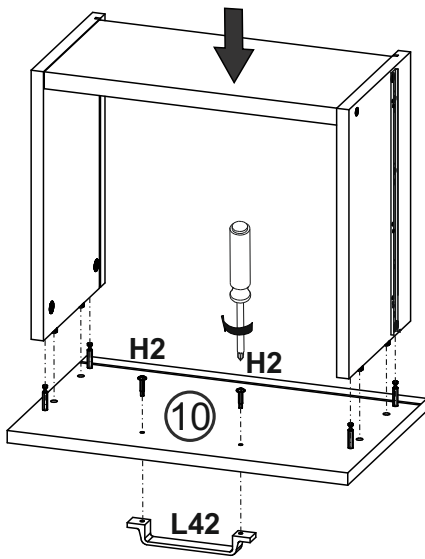
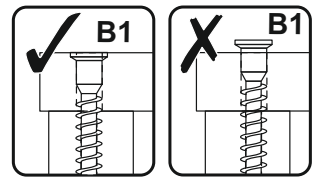
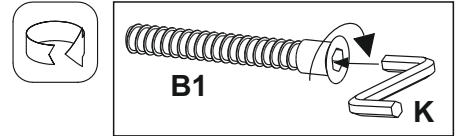
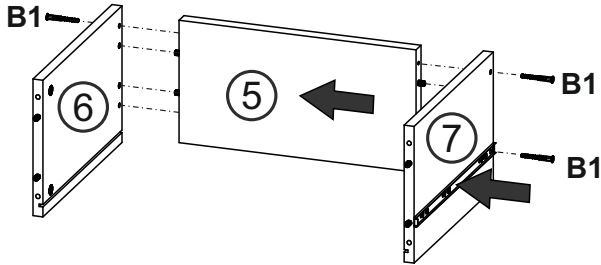


| | | | | | |
|------------|------------|-----------|------------|-----------|-----------|
| B0 | B2 | C0 | C0 | K | U2 |
| | | | | | |
| ∅ 7mm | ∅7x70 | ∅16mm | ∅16mm | 4mm | |
| x12 | x12 | x4 | x16 | x1 | x9 |



6

| | | | | | | | | |
|--|--|--|---|---|---|--|---|---|
| B0  Ø 7mm x4 | B1  Ø7x50 x4 | C0  Ø16mm x4 | D0  3x15 x6 | H2  4x22 x2 | K  4mm x1 | L42  x1 | M1  x6 | T8  x5 |
|--|--|--|---|---|---|--|---|---|



7

