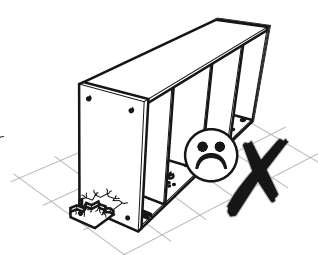
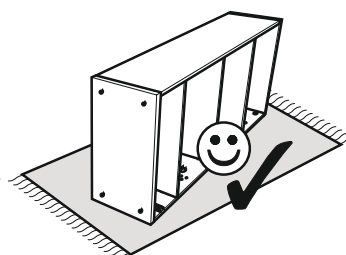
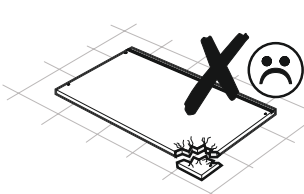
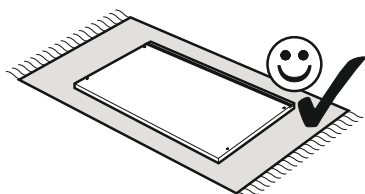
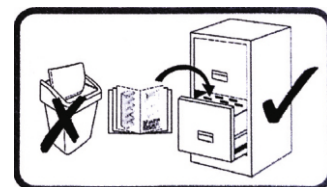
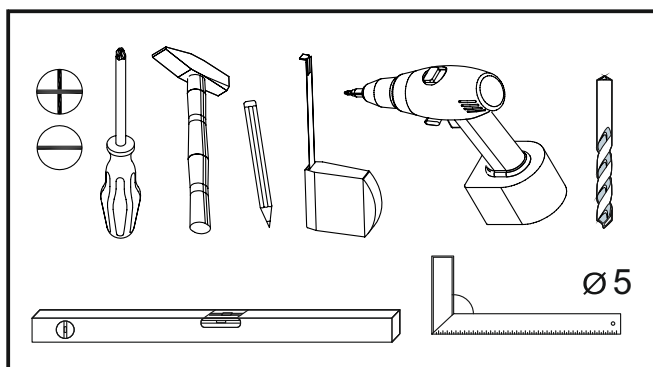
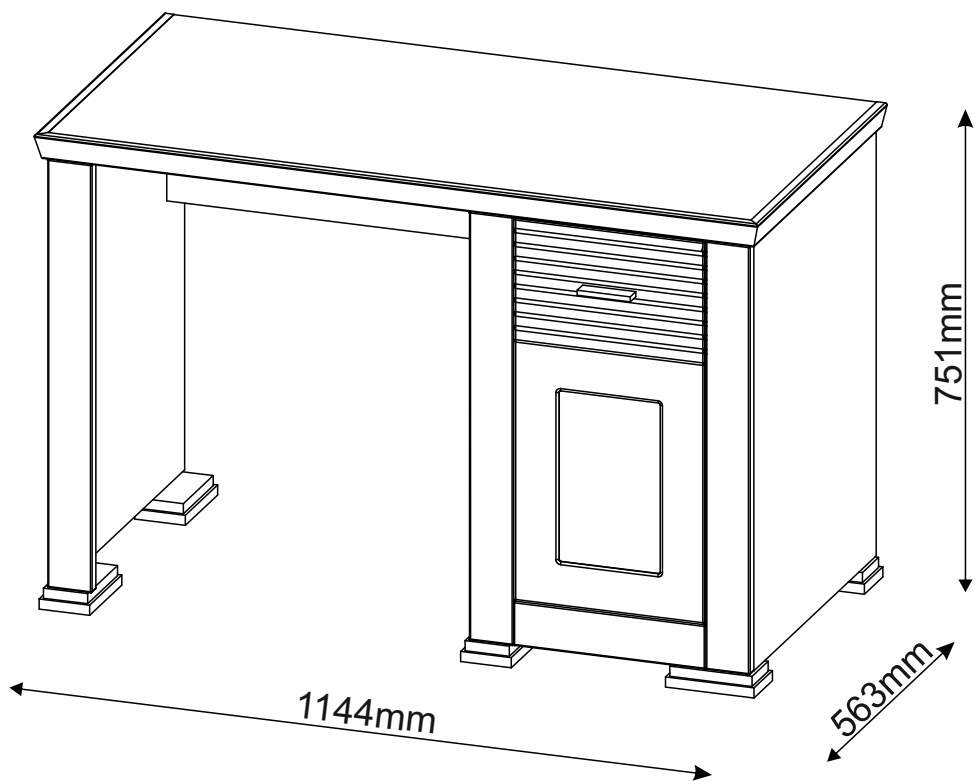
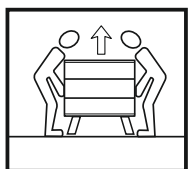
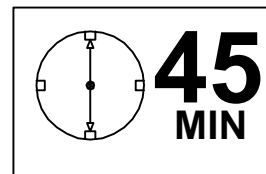
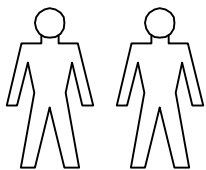

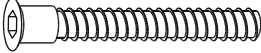
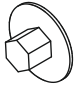



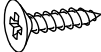
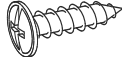
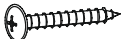


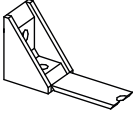
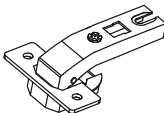
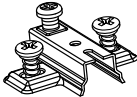
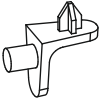




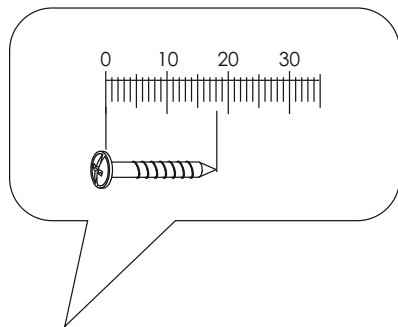


Agnes Table




Agnes Table

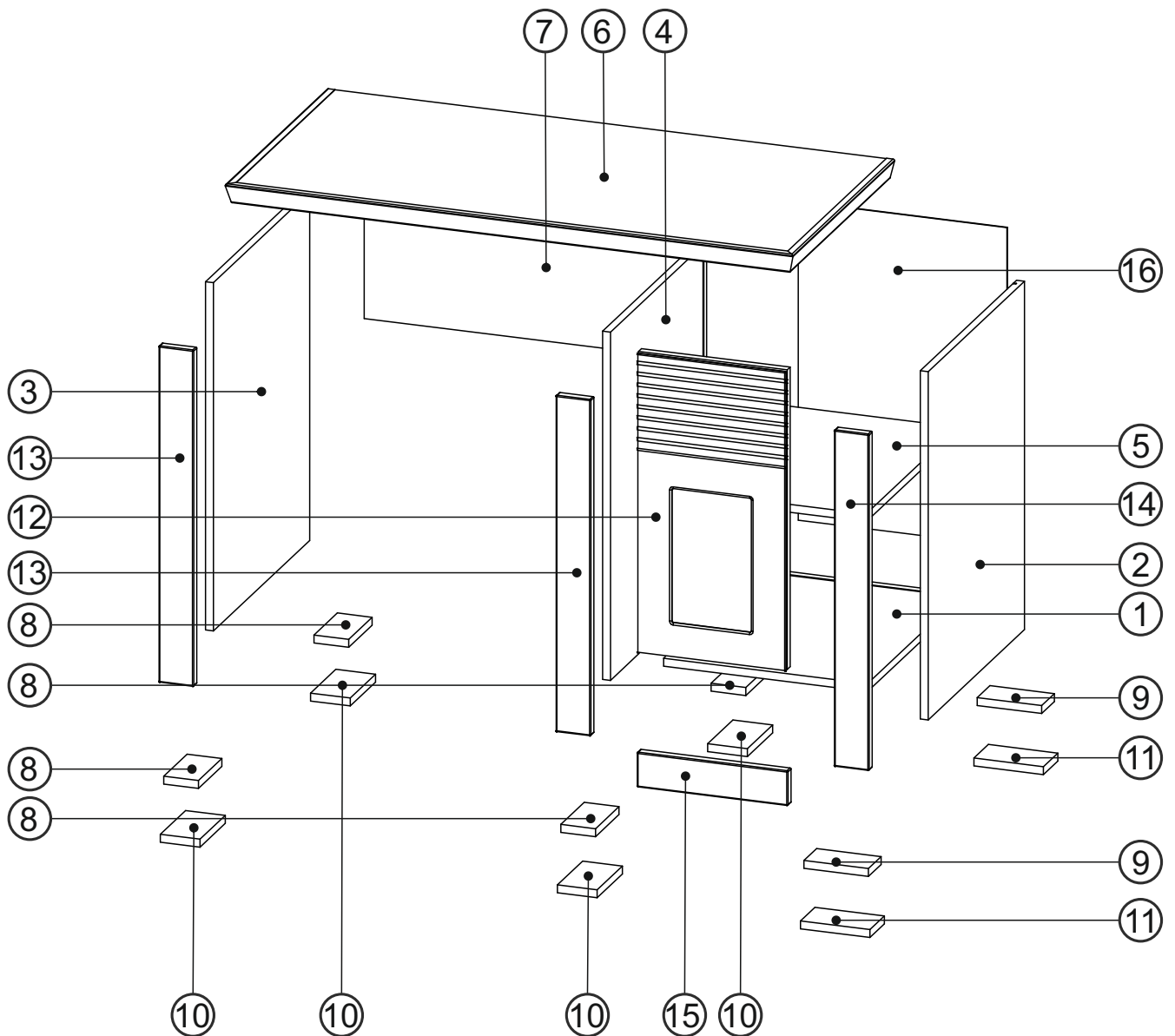
A0 8 x 30mm x17 	B2 7 x 70 mm x10 	C0 x10 
C1 x14  16mm	C2 x14 	D0 3 x 15 mm x12 
D10 4 x 16 mm x4 	D17 x32  3,5 x 16 mm	D18 x4  4.2 x 30 mm
F0 x8 	F1 x8 	F2 x2 
G8A x2 	G8B x2 	H2 x4 
L35 x1 	U0 x1 	U2 x12 
Z 4mm x1 		



Agnes Table

①	411	532.5	16	x1	1/2
②	702	533	16	x1	1/2
③	702	533	16	x1	1/2
④	702	533	16	x1	1/2
⑤	411	511	16	x1	1/2
⑥	1144	563	40	x1	1/2
⑦	651	220	16	x1	2/2
⑧	130	70	16	x4	2/2
⑨	130	70	16	x2	2/2

⑩	140	80	16	x4	2/2
⑪	140	80	16	x2	2/2
⑫	604	300	16	x1	2/2
⑬	678	70	18	x2	2/2
⑭	678	70	18	x1	2/2
⑮	304	70	18	x1	2/2
⑯	642	420	3	x1	2/2
					1/2



1

A0

8 x 30mm

x9



C1

16mm



x6

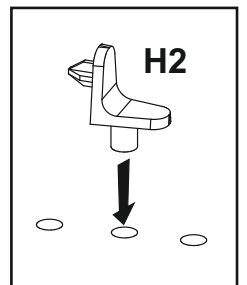
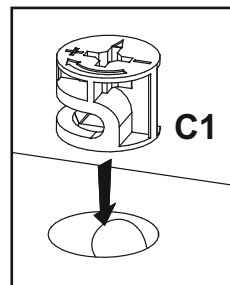
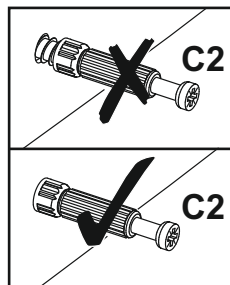
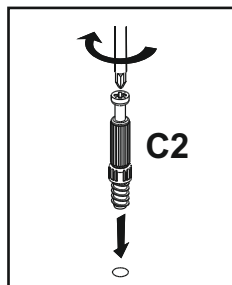
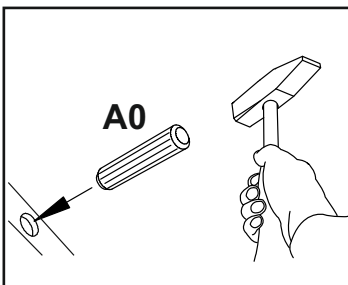
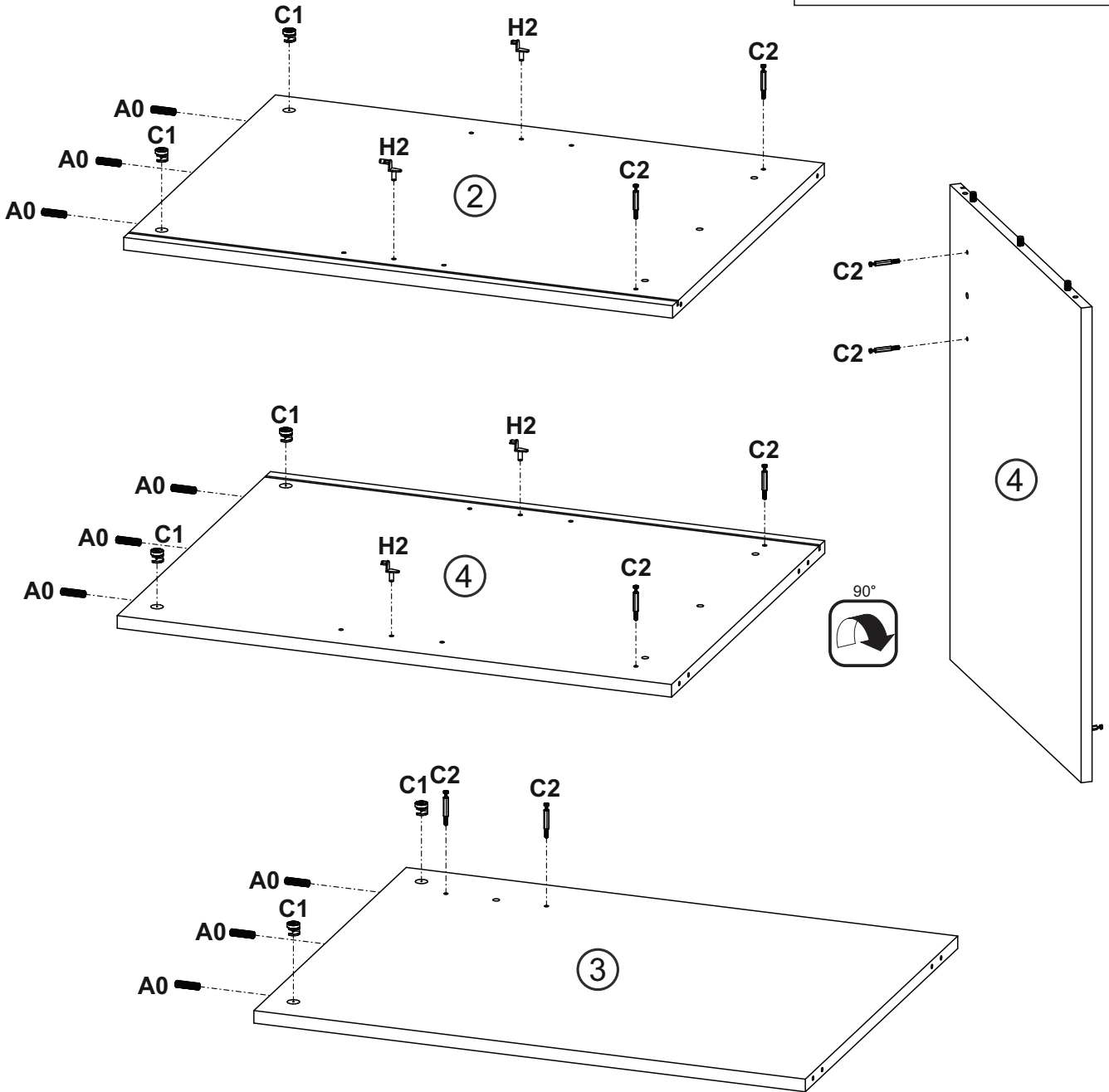
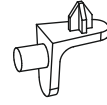
C2

x8




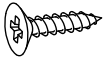
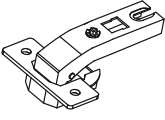


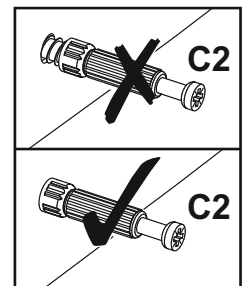
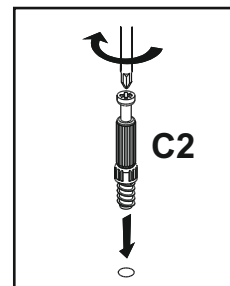
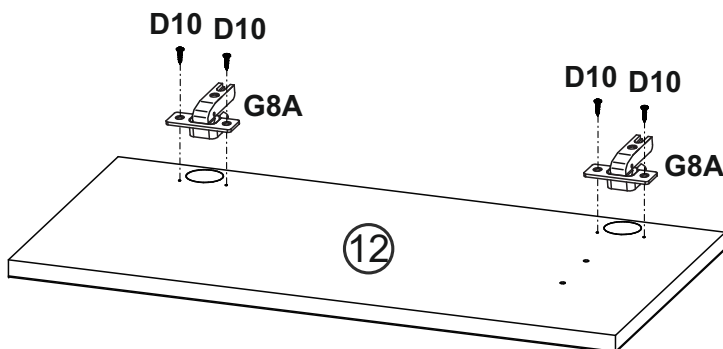
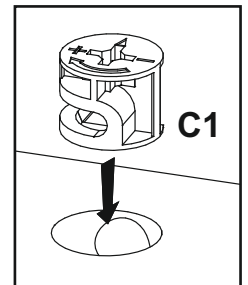
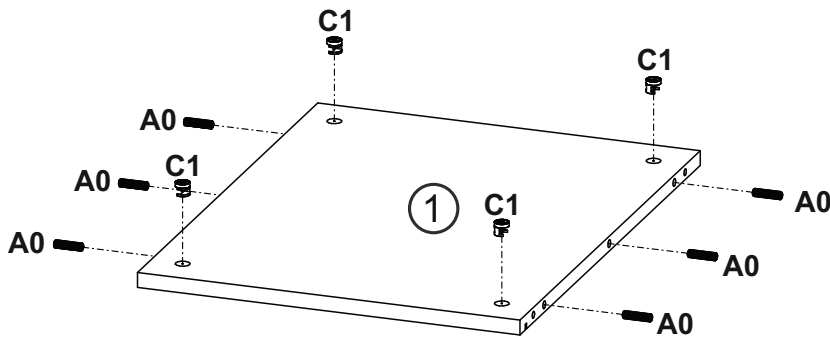
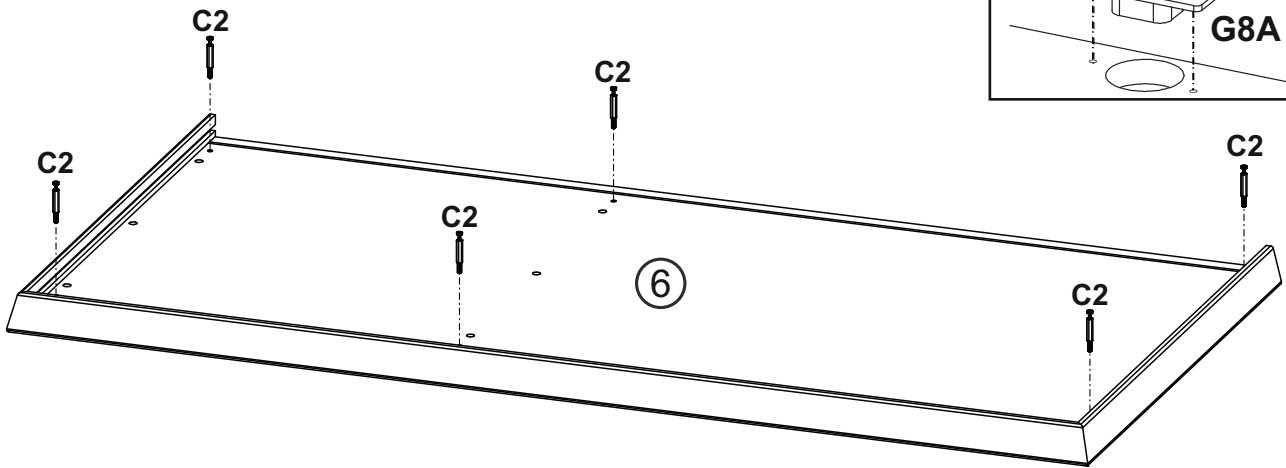
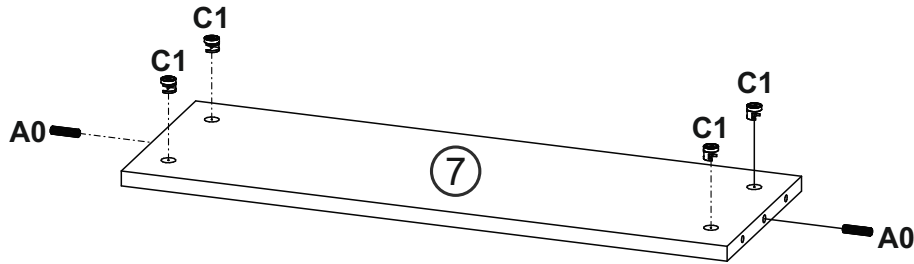
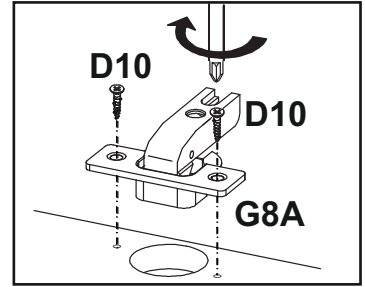
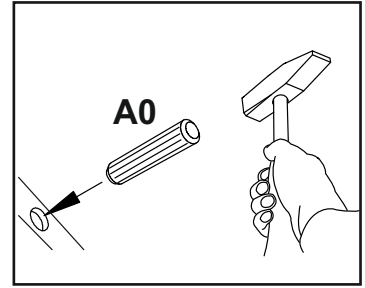
H2

x4



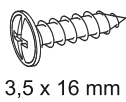
2

A0 8 x 30mm  x8	C1 16mm  x8	C2  x6
D10 4 x 16 mm  x4	G8A  x2	



3

(D17)



3,5 x 16 mm

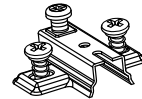
x16

(F1)

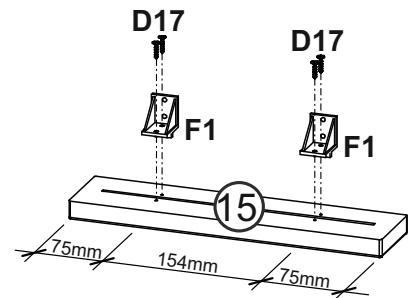
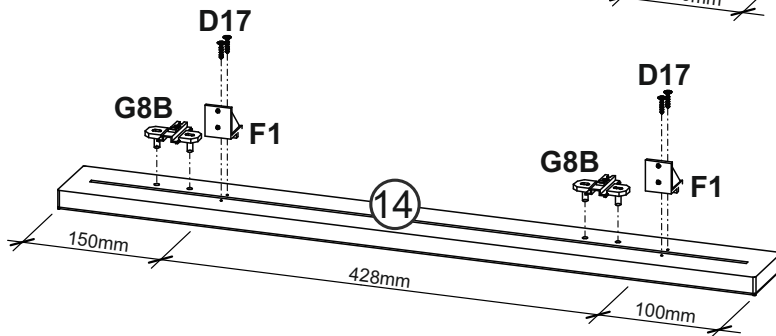
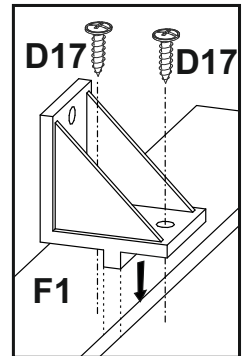
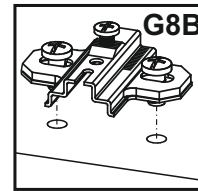
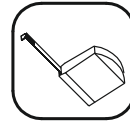
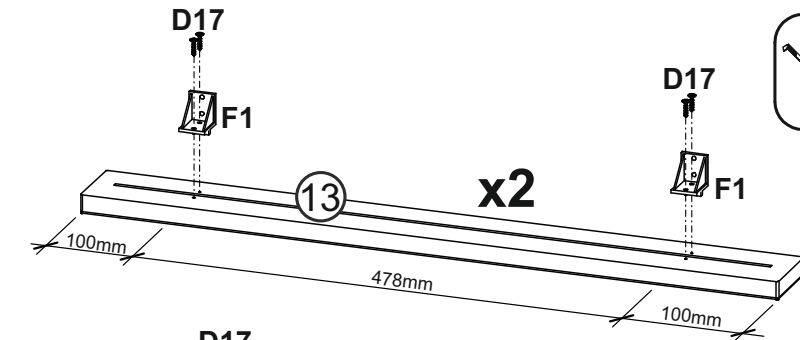


x8

(G8B)

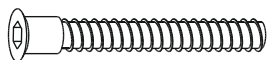


x2



4

(B2)



7 x 70 mm

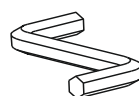
x8

(U2)

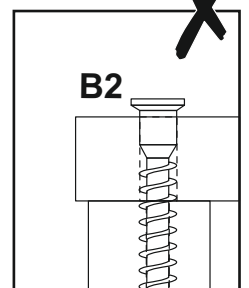
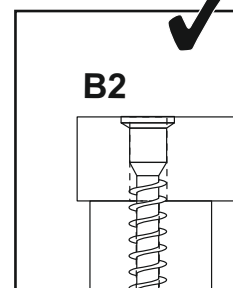
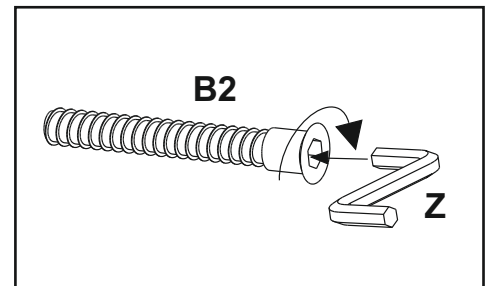
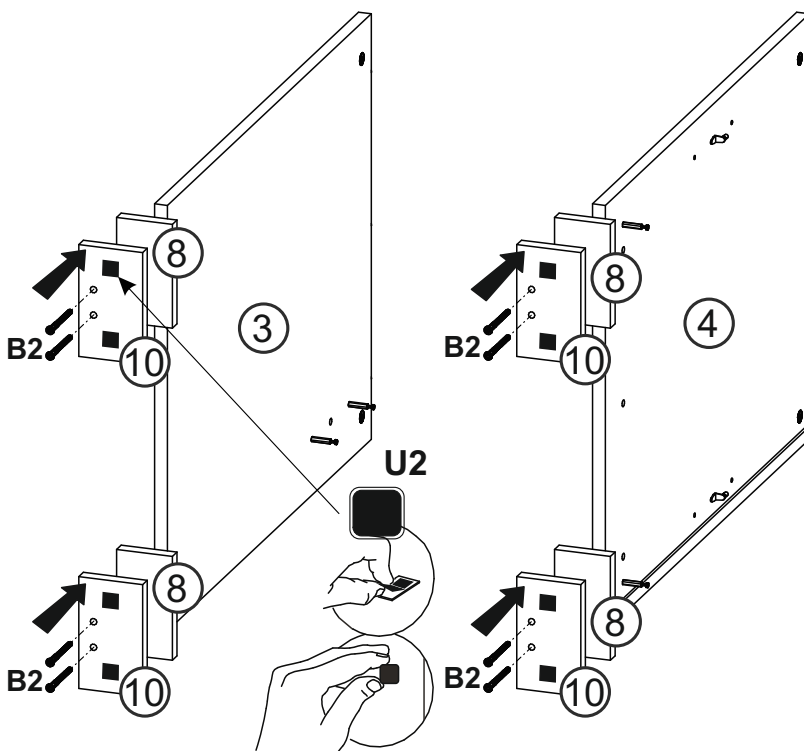


x8

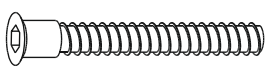

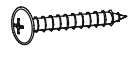
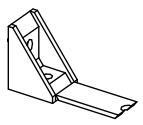

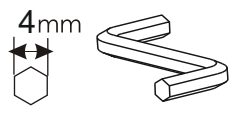
(Z)

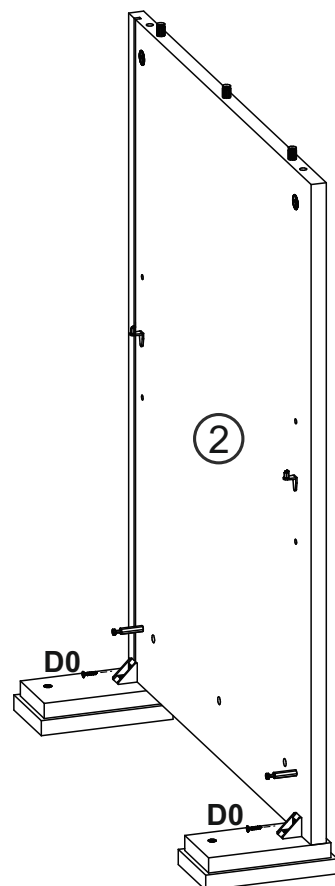
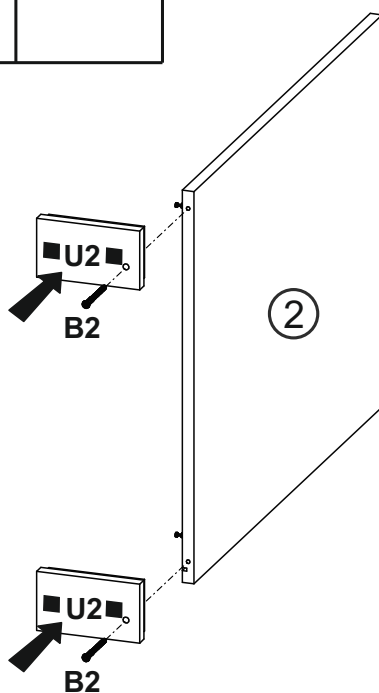
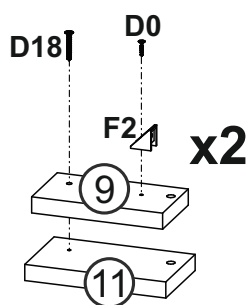
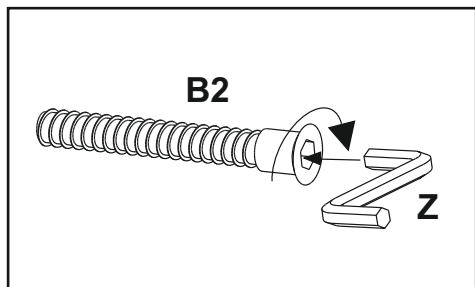
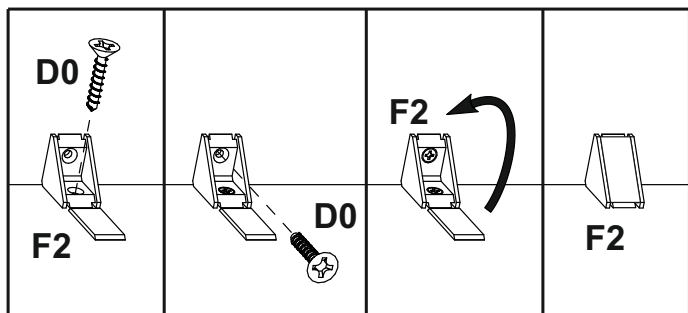


x1

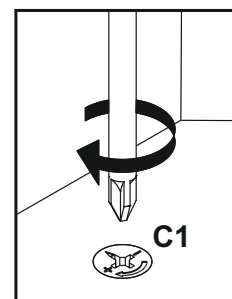
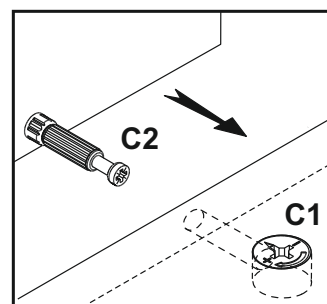
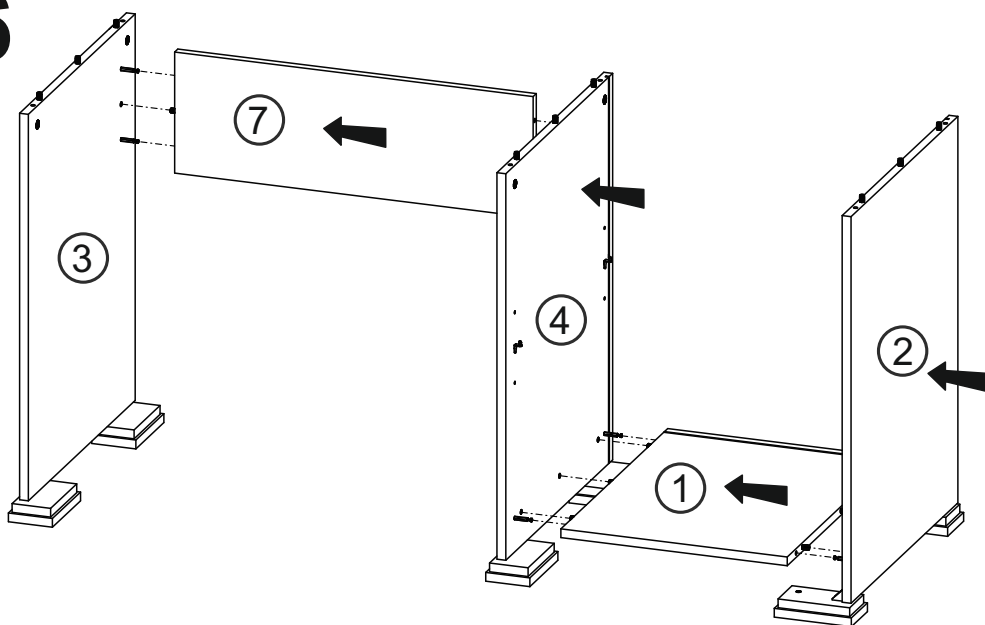


5

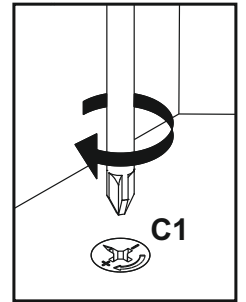
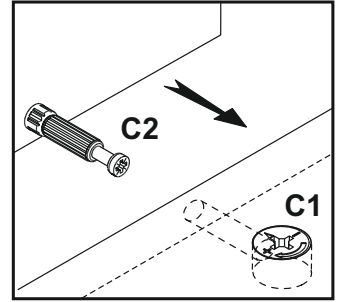
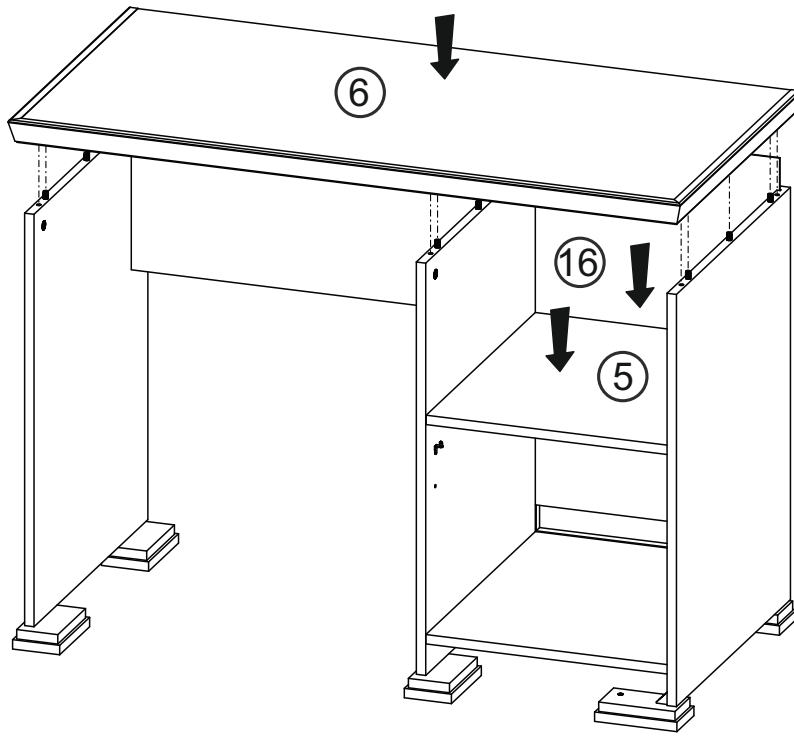
B2 7 x 70 mm 	x2	D0 3 x 15 mm 	x4	D18 4.2 x 30 mm 	x2
F2 	x2	U2 	x4	Z 4mm 	x1




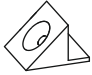
6

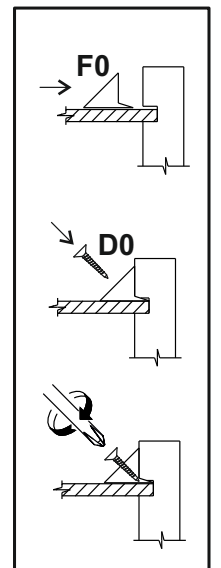
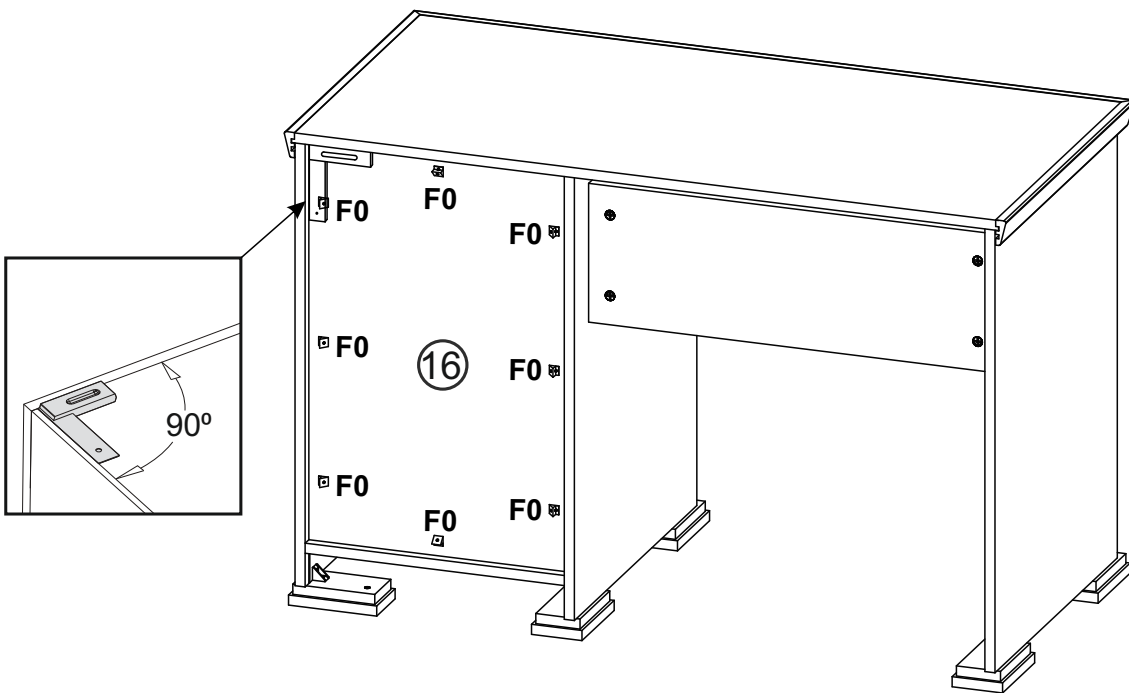


7




8

(D0)	3 x 15 mm	x8	(F0)		x8
					



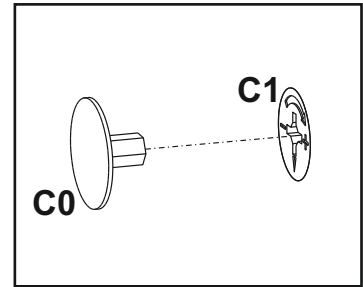
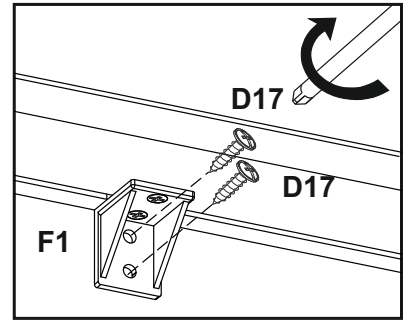
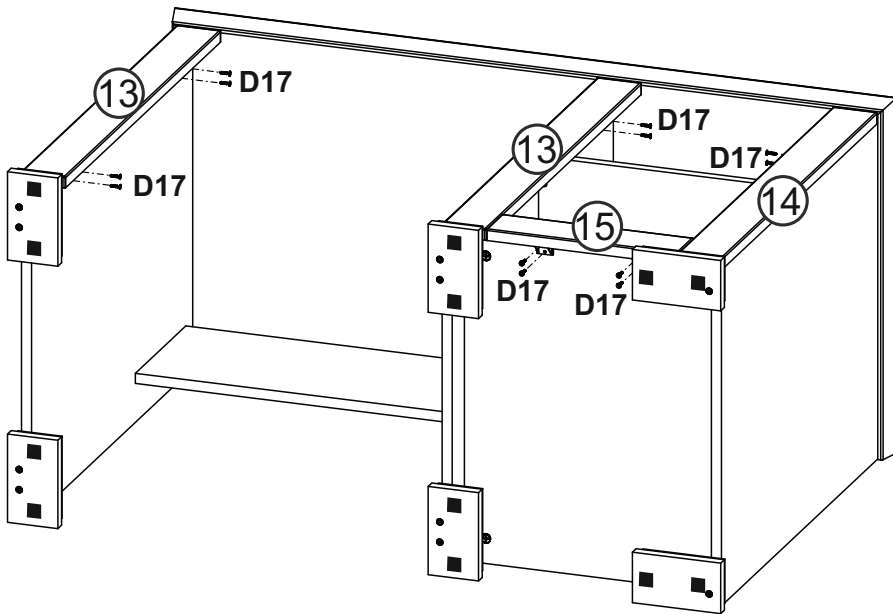
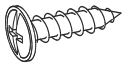
9

C0 **x10**



D17 **x16**

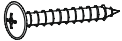
3,5 x 16 mm



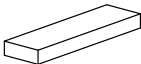
10

D18 **x2**

4.2 x 30 mm



L35 **x1**



U0 **x1**

