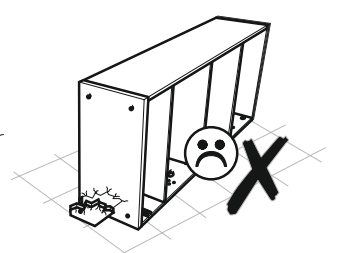
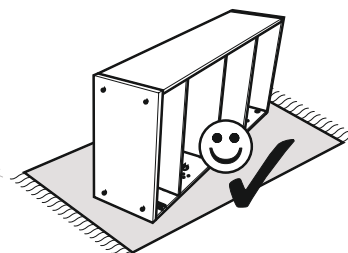
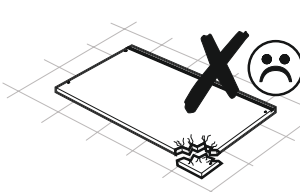
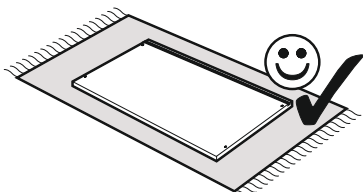
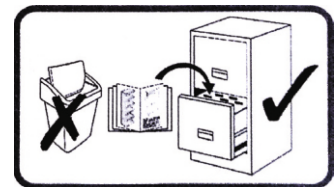
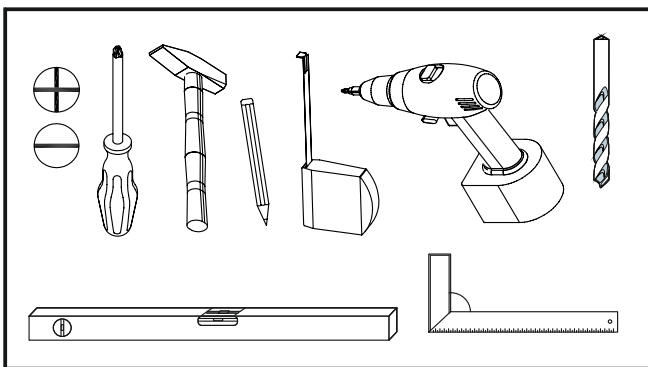
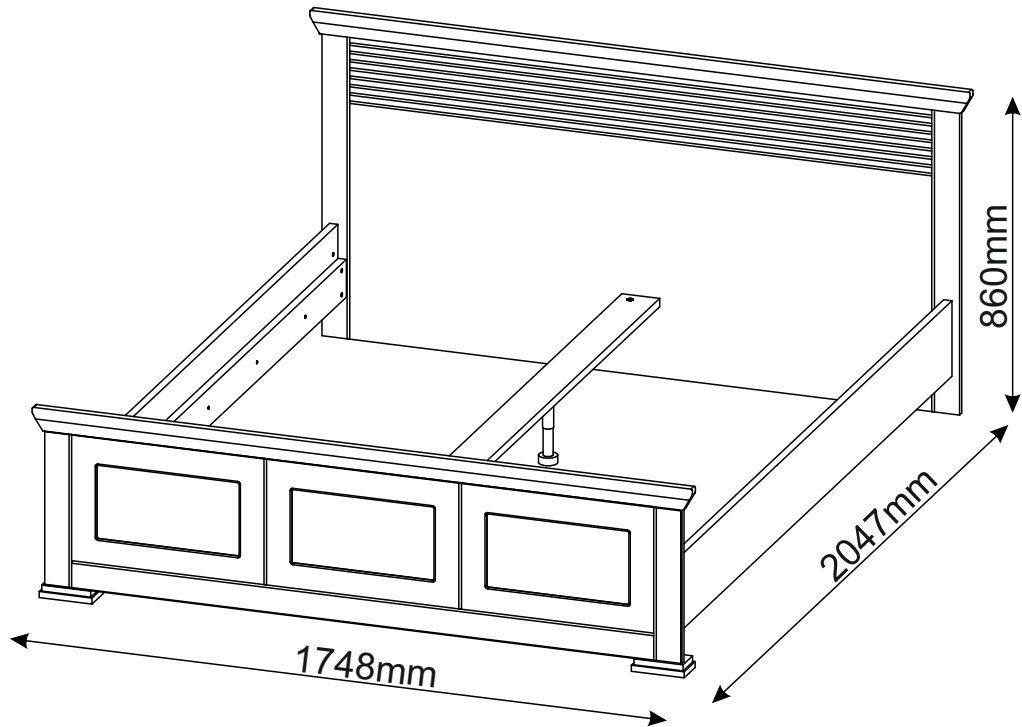
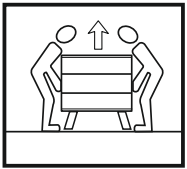
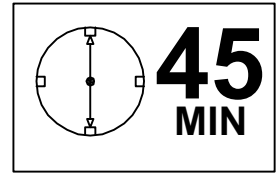
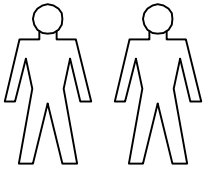






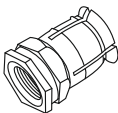
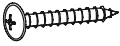
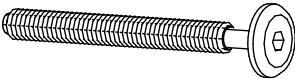
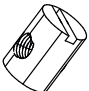
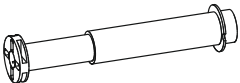



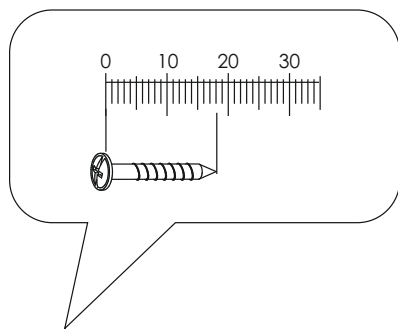


# Agnes Bed 160




# Agnes Bed 160

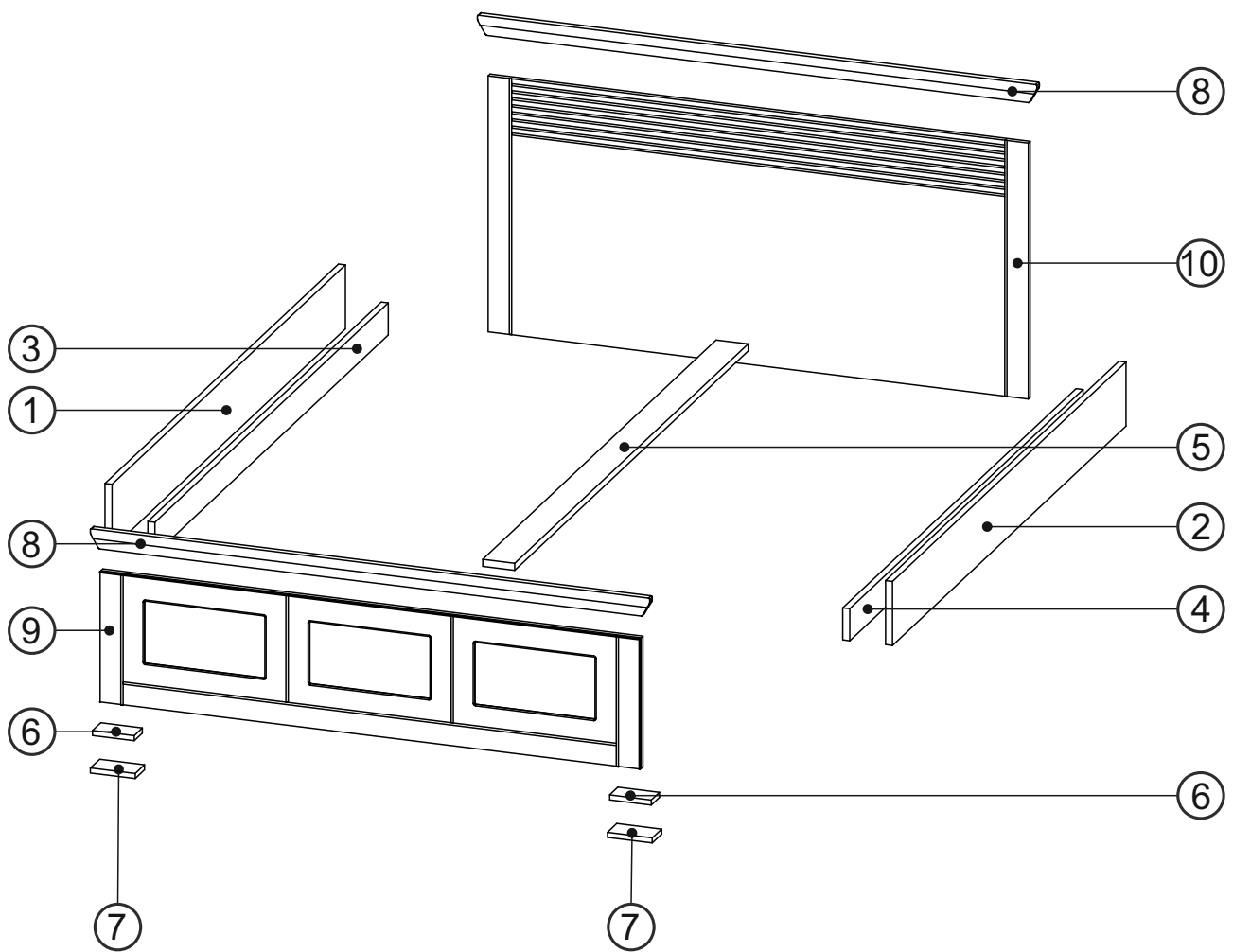
<b>A0</b> 8 x 30mm  <b>x10</b>	<b>A1</b> 8 x 50mm  <b>x8</b>	<b>B2</b> 7 x 70 mm  <b>x4</b>
<b>C1</b>  16mm <b>x14</b>	<b>C2</b>  <b>x4</b>	<b>C6</b>  <b>x10</b>
<b>C61</b>  <b>x10</b>	<b>D31</b>  4.2 x 40 mm <b>x10</b>	<b>D90</b>  M6 x 60 mm <b>x8</b>
<b>D91</b>  10 x 13 mm <b>x8</b>	<b>T11</b>  <b>x2</b>	<b>U2</b>  <b>x4</b>
<b>U8</b>  <b>x2</b>	<b>Z</b>  4mm <b>x1</b>	



# Agnes Bed 160

①	2004	200	22	x1	1/2
②	2004	200	22	x1	1/2
③	2004	100	22	x1	1/2
④	2004	100	22	x1	1/2
⑤	2004	100	22	x1	1/2
⑥	130	70	16	x2	1/2

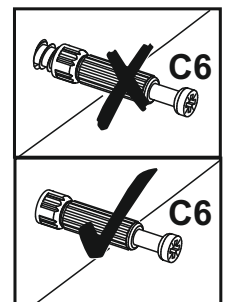
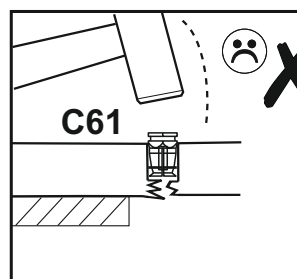
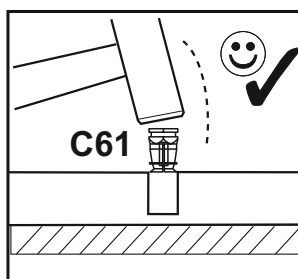
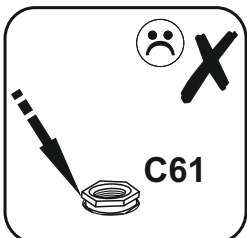
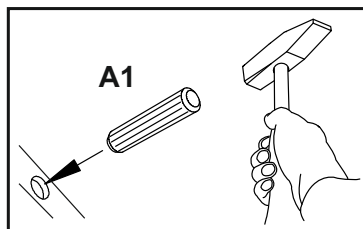
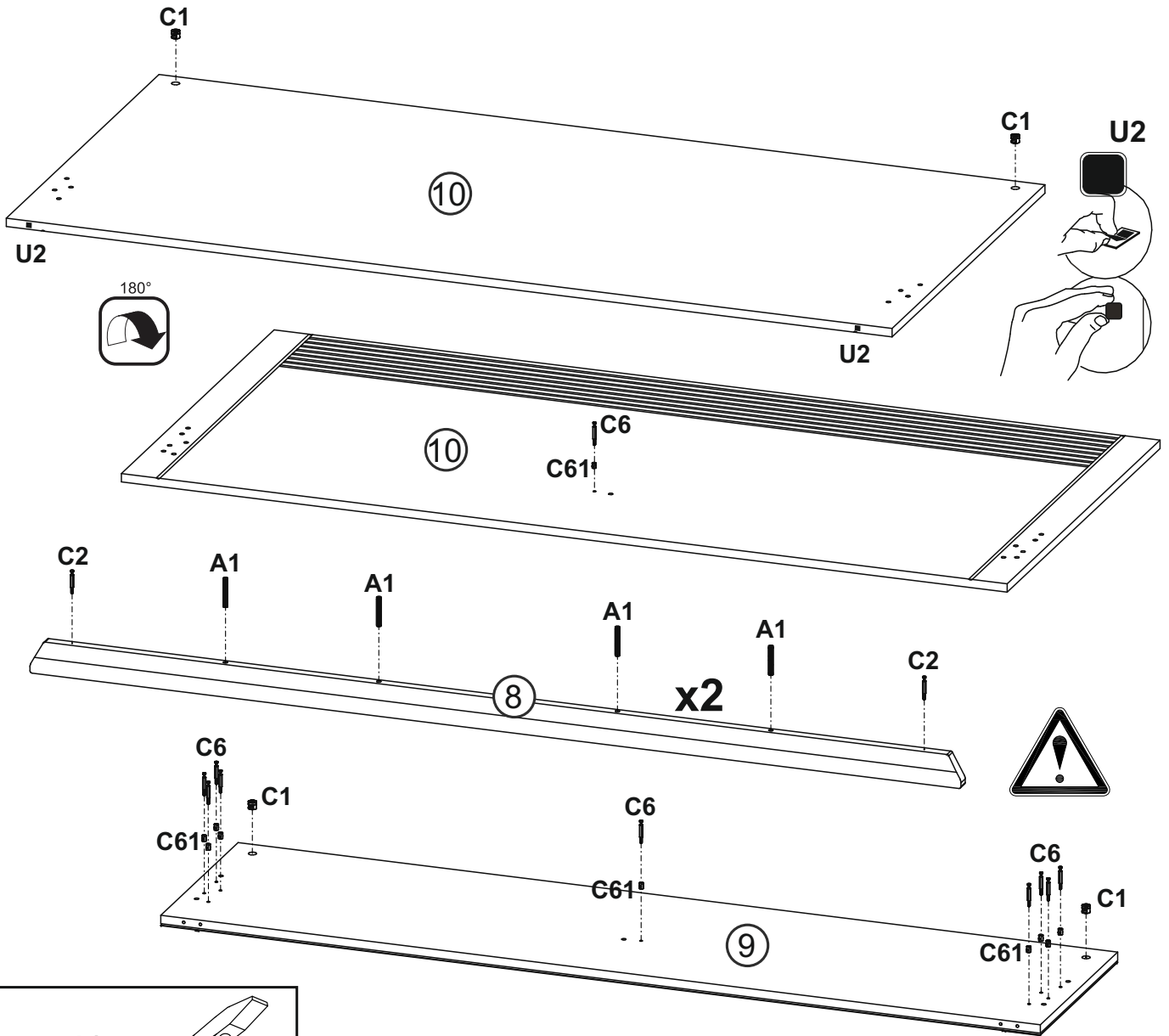
⑦	140	80	16	x2	1/2
⑧	1748	60	22	x2	1/2
⑨	1688	408	16	x1	2/2
⑩	1688	800	16	x1	2/2
					1/2





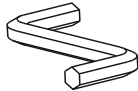


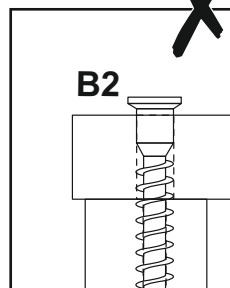
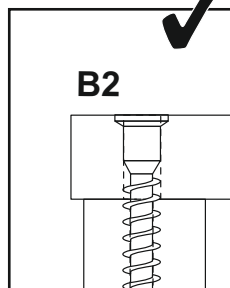
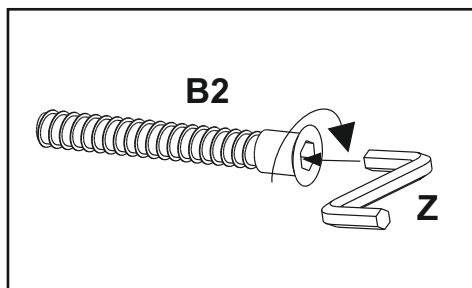
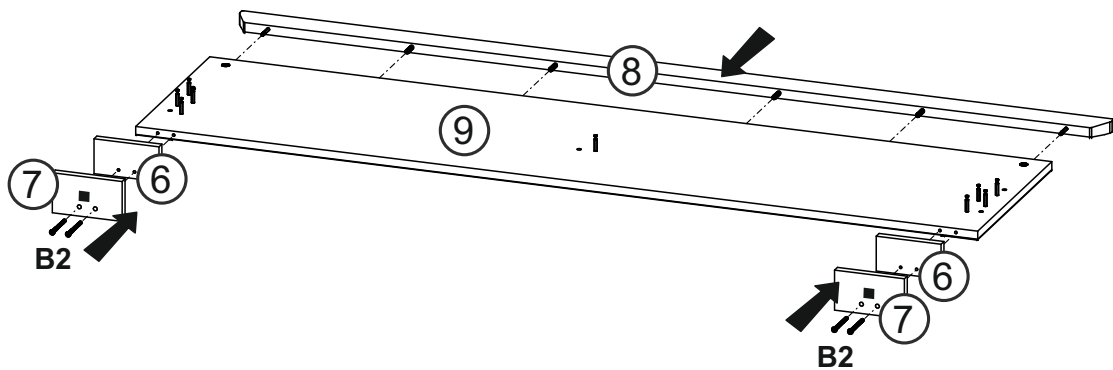
# 2

<b>A1</b> 8 x 50mm <b>x8</b>	<b>C1</b> 16mm <b>x4</b>	<b>C2</b> <b>x4</b>
<b>C6</b> <b>x10</b>	<b>C61</b> <b>x10</b>	<b>U2</b> <b>x2</b>

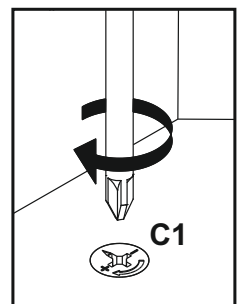
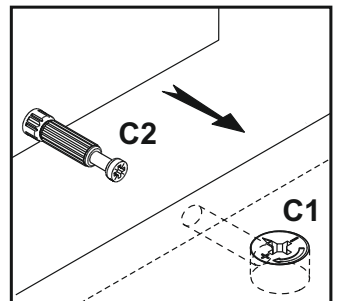
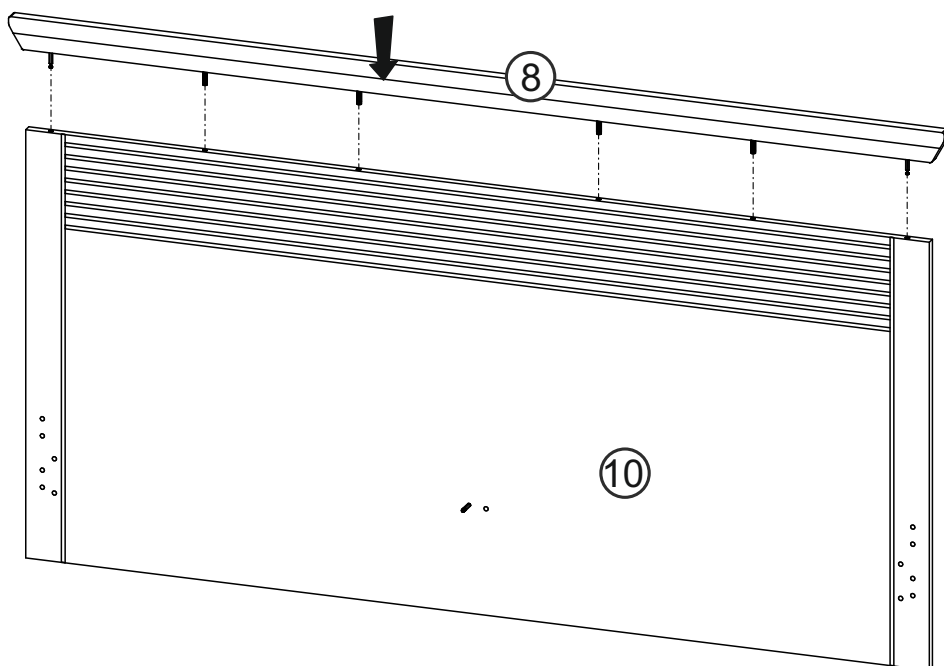


# 3

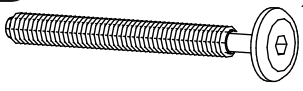
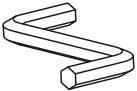
<b>(B2)</b> 7 x 70 mm  <b>x4</b>	<b>(U2)</b>  <b>x2</b>	<b>(Z)</b> 4mm  <b>x1</b>
--	---	---

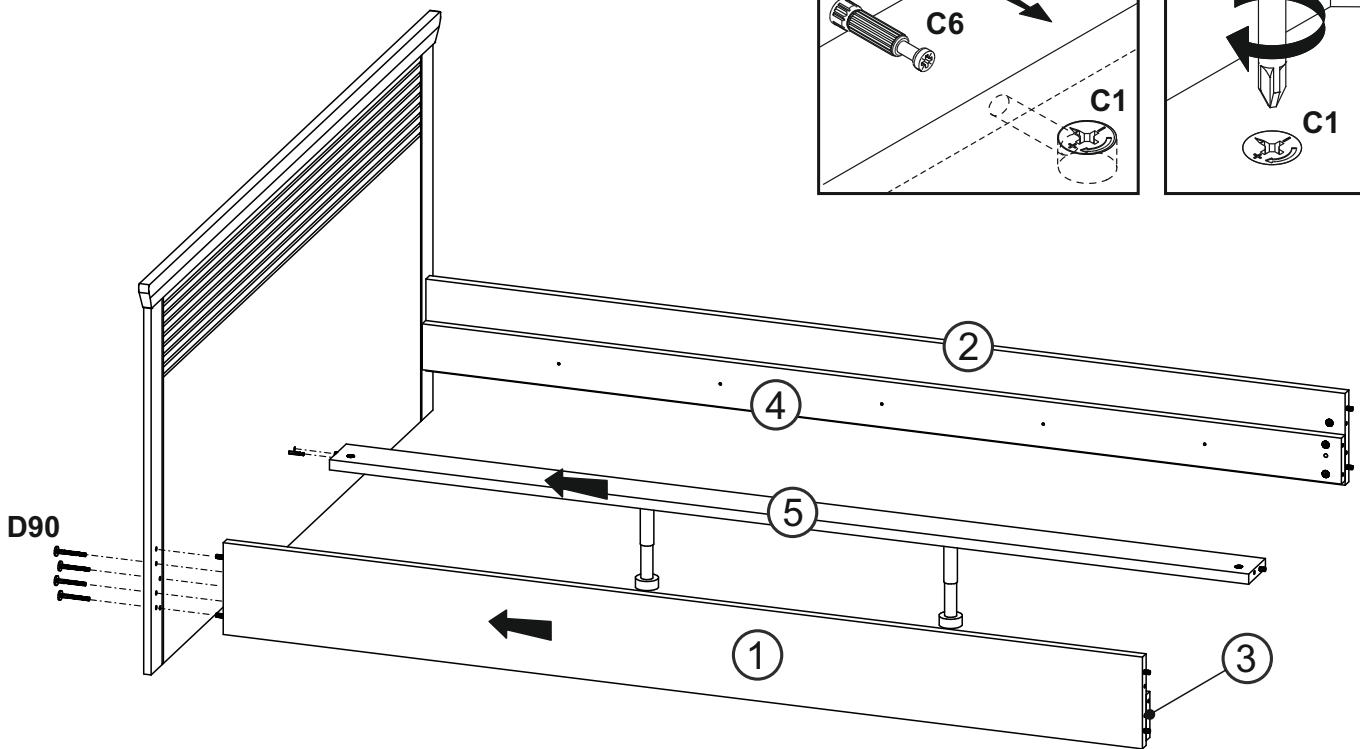
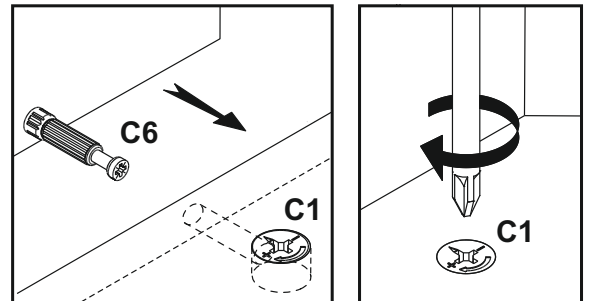
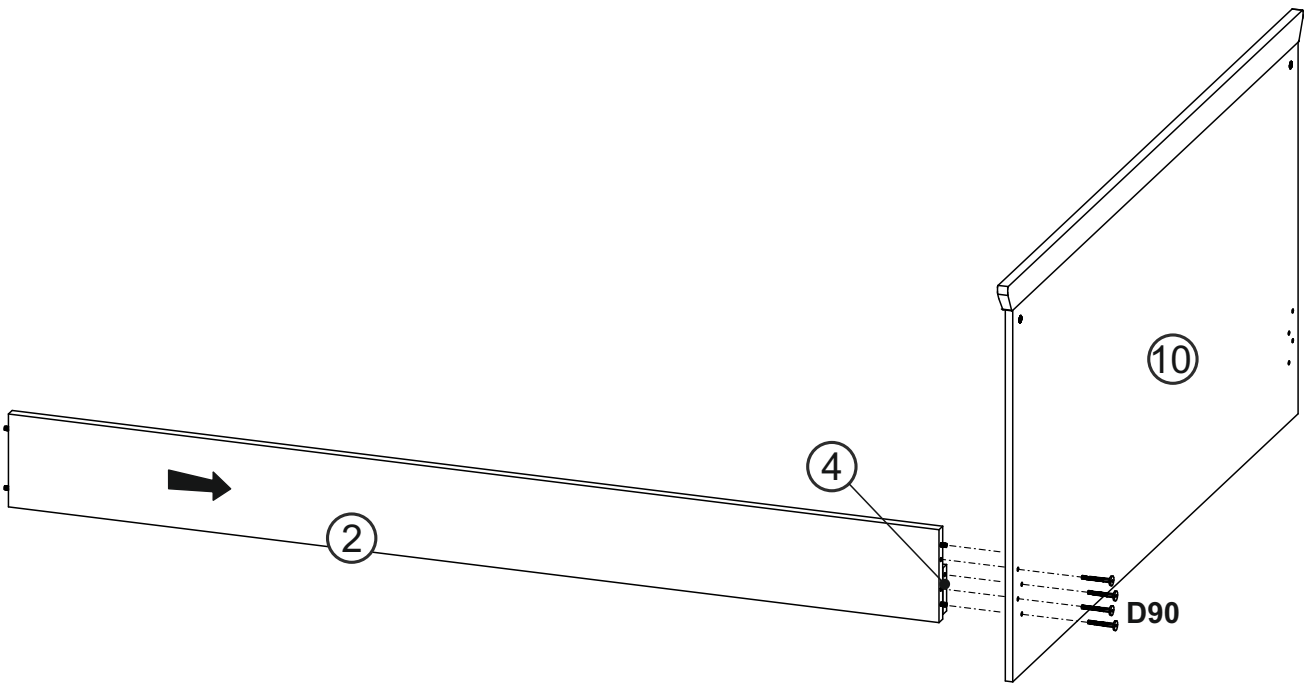


# 4

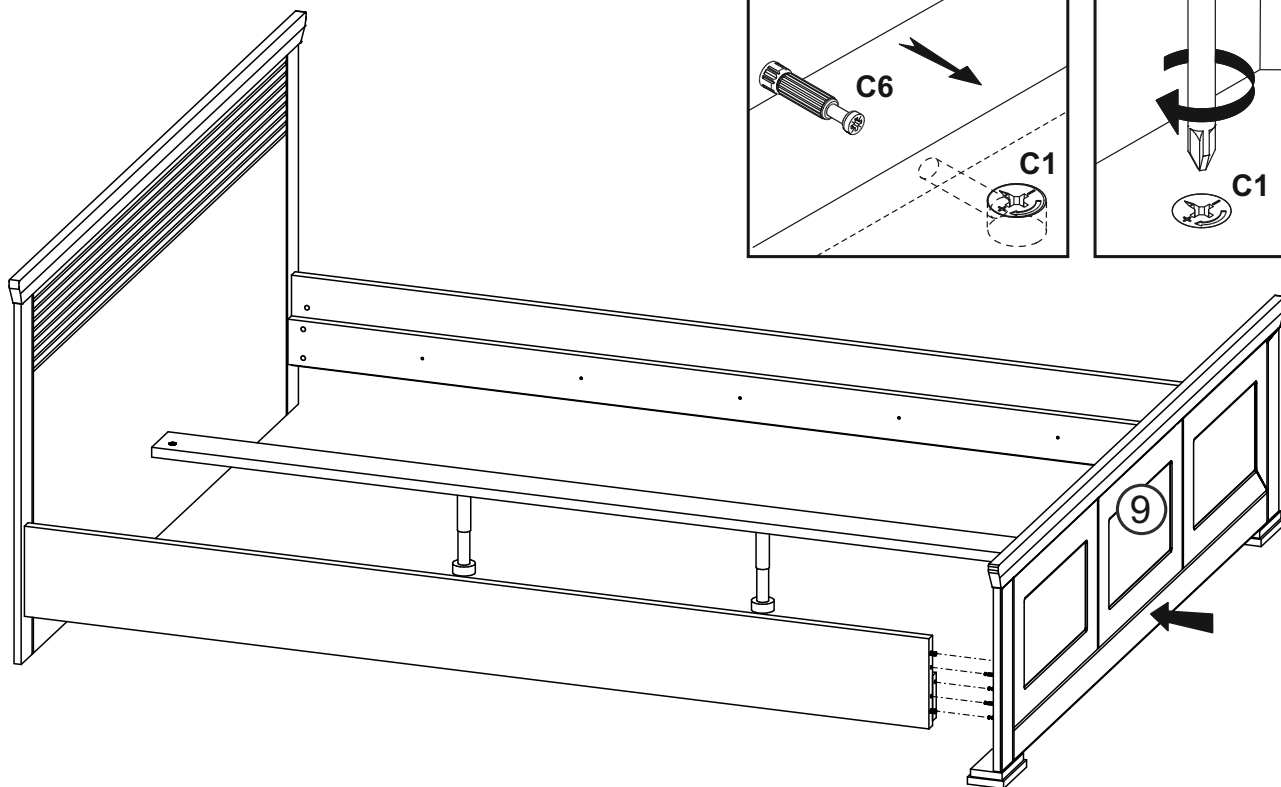


# 5

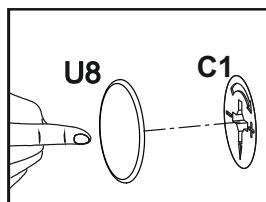
<b>(D90)</b>  M6 x 60 mm	<b>x8</b>	<b>(Z)</b>  4mm	<b>x1</b>
---	-----------	--	-----------

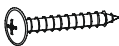



6



7



<b>D31</b>	<b>x10</b>	<b>U8</b>	<b>x2</b>
			
4.2 x 40 mm			

