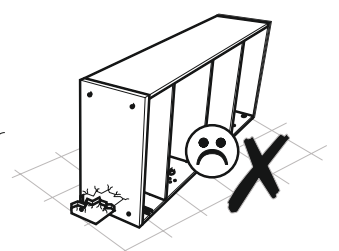
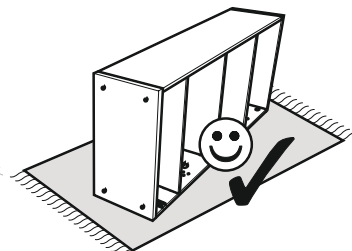
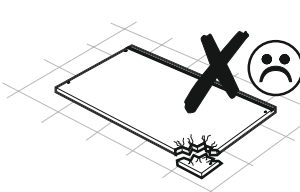
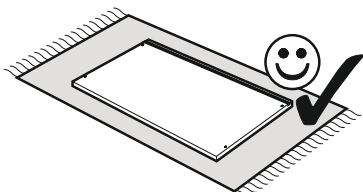
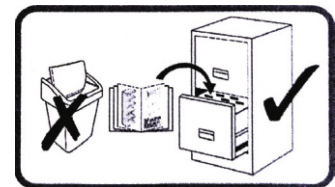
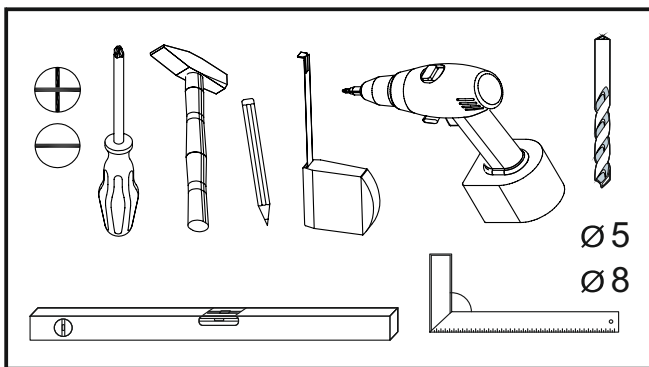
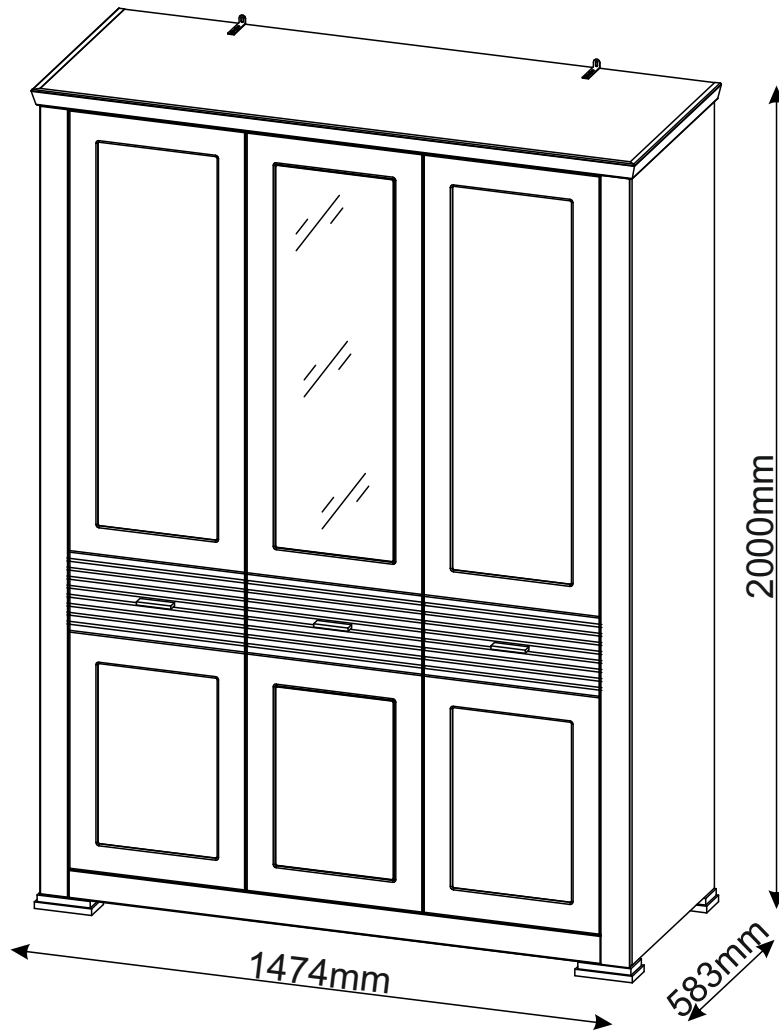
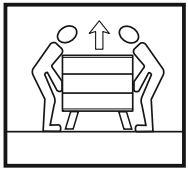
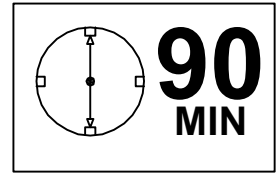
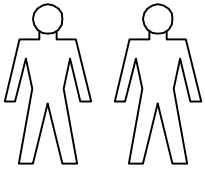
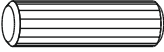
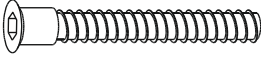
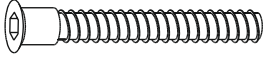
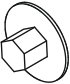



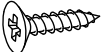

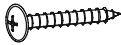
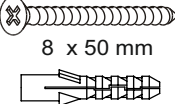


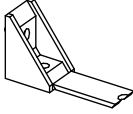


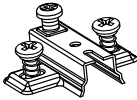

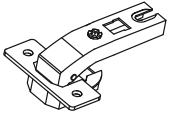
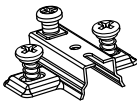

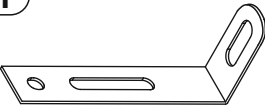

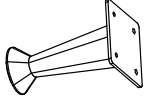


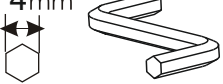
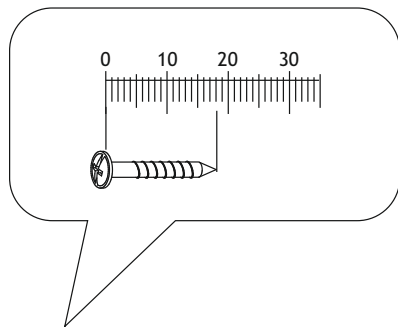


Agnes Wardrobe 3D



Agnes Wardrobe 3D


A0 8 x 30mm x25 	B1 6.4 x 50 mm x3 	B2 7 x 70 mm x4 
C0  x18	C1 16mm  x22	C2  x22
D0 3 x 15 mm  x47	D10 4 x 16 mm  x24	D17  3,5 x 16 mm x62
D18  4.2 x 30 mm x10	E4 5 x 50 mm 8 x 50 mm  x2	F0  x25
F1  x13	F2  x4	F3  x2
F6  L-907 0 x1	G1B  x4	G3A  x4
G8A  x8	G8B  x8	H0  x12
I1  x2	L35  x3	T8  x2
	U0  x3	U2  x8
		Z 4mm  x1

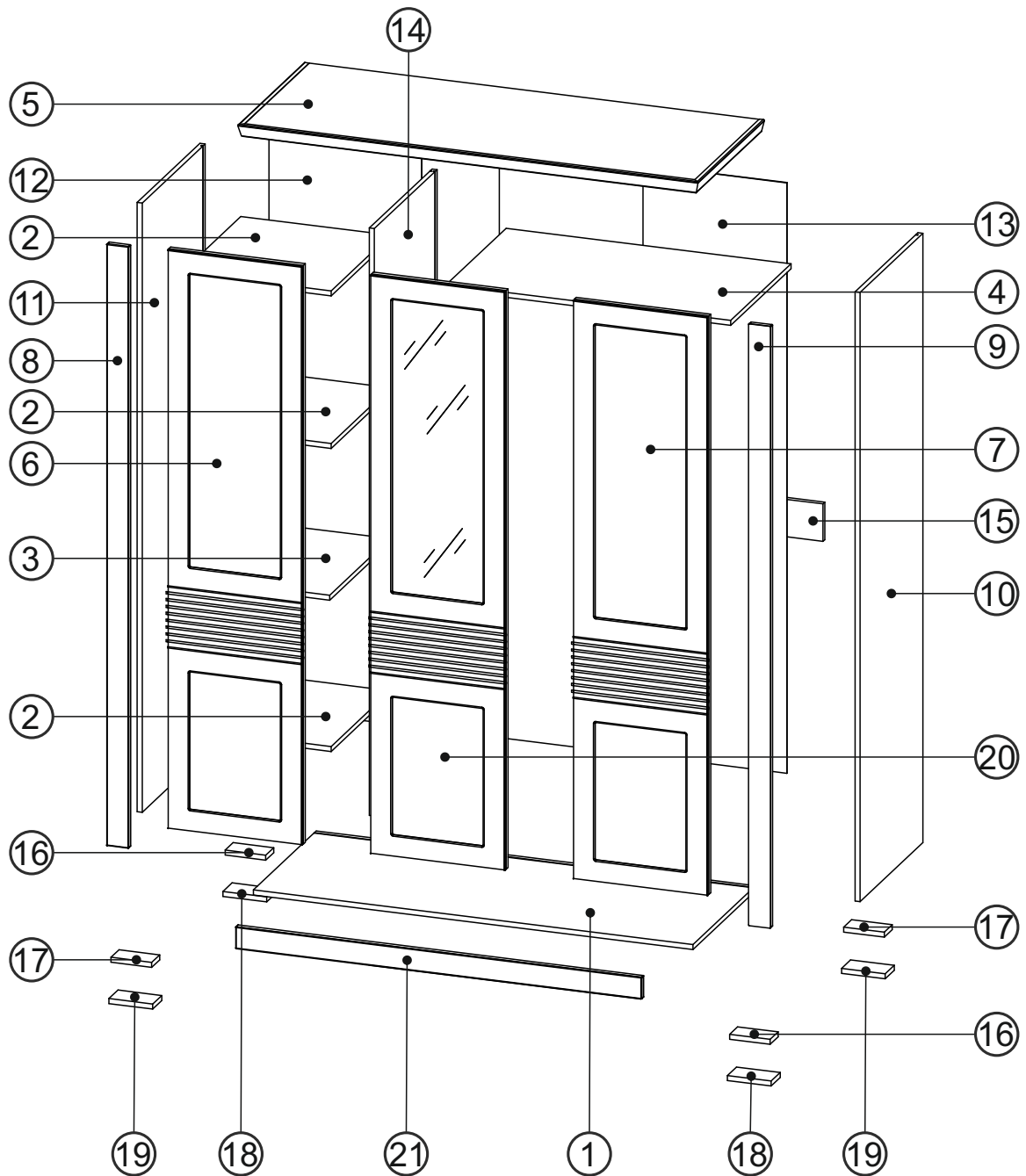


Agnes Wardrobe 3D





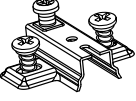
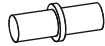
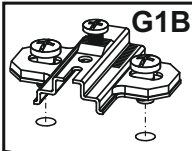
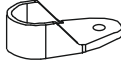
①	1408	552,5	16	x1	1/4
②	478	523	16	x3	1/4
③	479	531	16	x1	1/4
④	912	531	16	x1	1/4
⑤	1474	583	40	x1	1/4
⑥	1854	431	16	x1	2/4
⑦	1854	431	16	x1	2/4
⑧	1928	70	18	x1	2/4

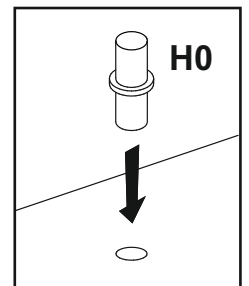
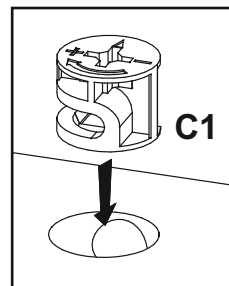
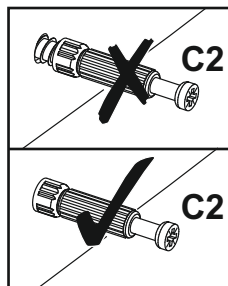
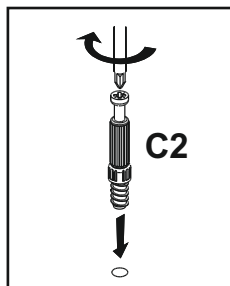
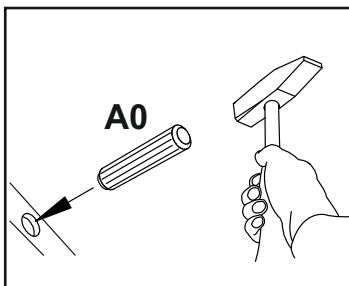
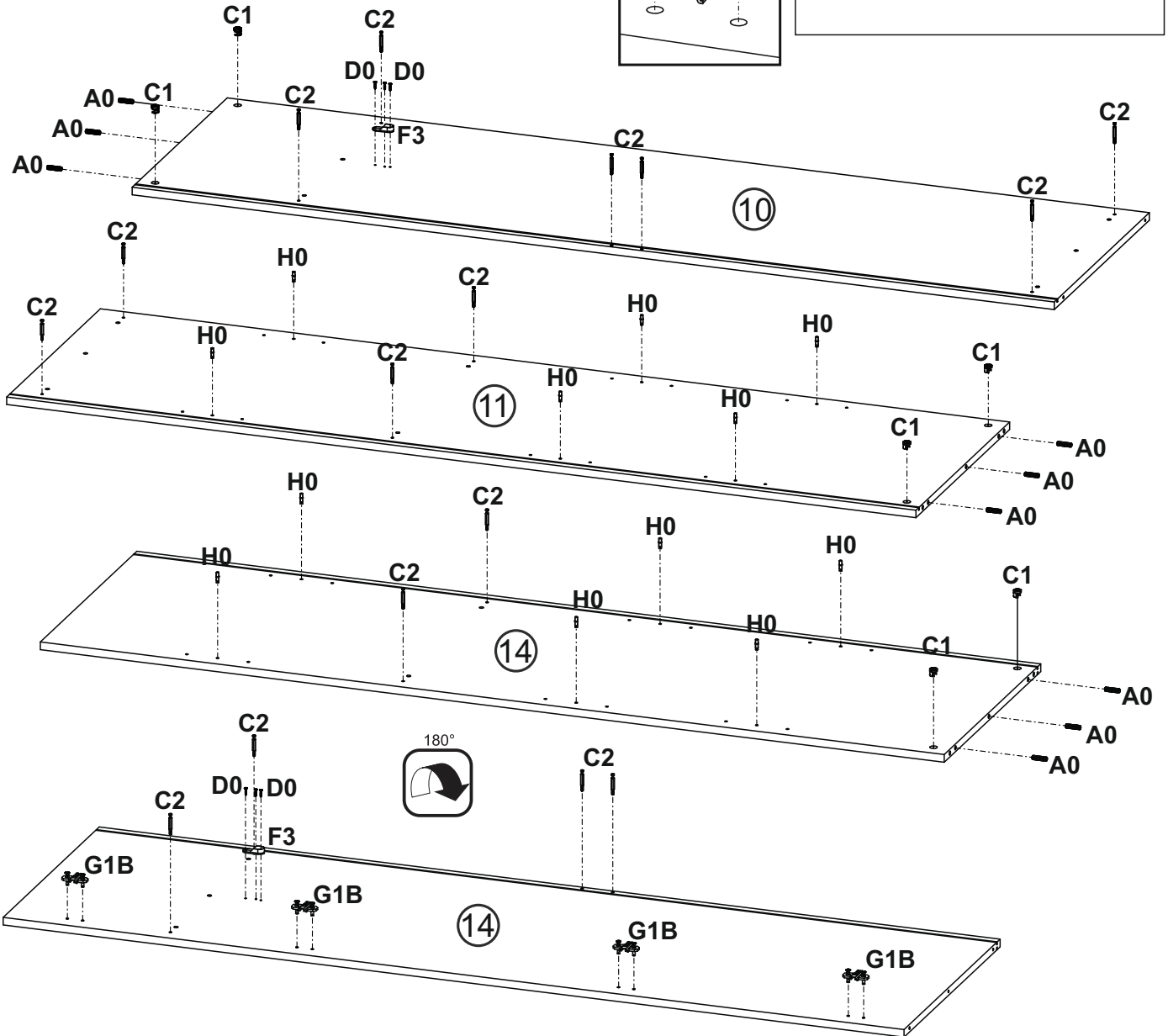
⑨	1928	70	18	x1	2/4
⑩	1952	553	16	x1	3/4
⑪	1952	553	16	x1	3/4
⑫	1892	490	3	x1	3/4
⑬	1892	460,5	3	x2	3/4
⑭	1882,5	552	16	x1	3/4
⑮	912	120	16	x1	3/4
⑯	130	70	16	x2	3/4

⑰	130	70	16	x2	3/4
⑱	140	80	16	x2	3/4
⑲	140	80	16	x2	3/4
⑳	1854	431	16	x1	3/4
㉑	1301	70	18	x1	3/4
					1/4

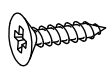
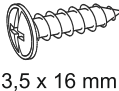

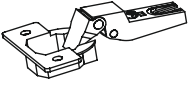
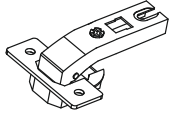
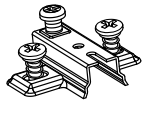


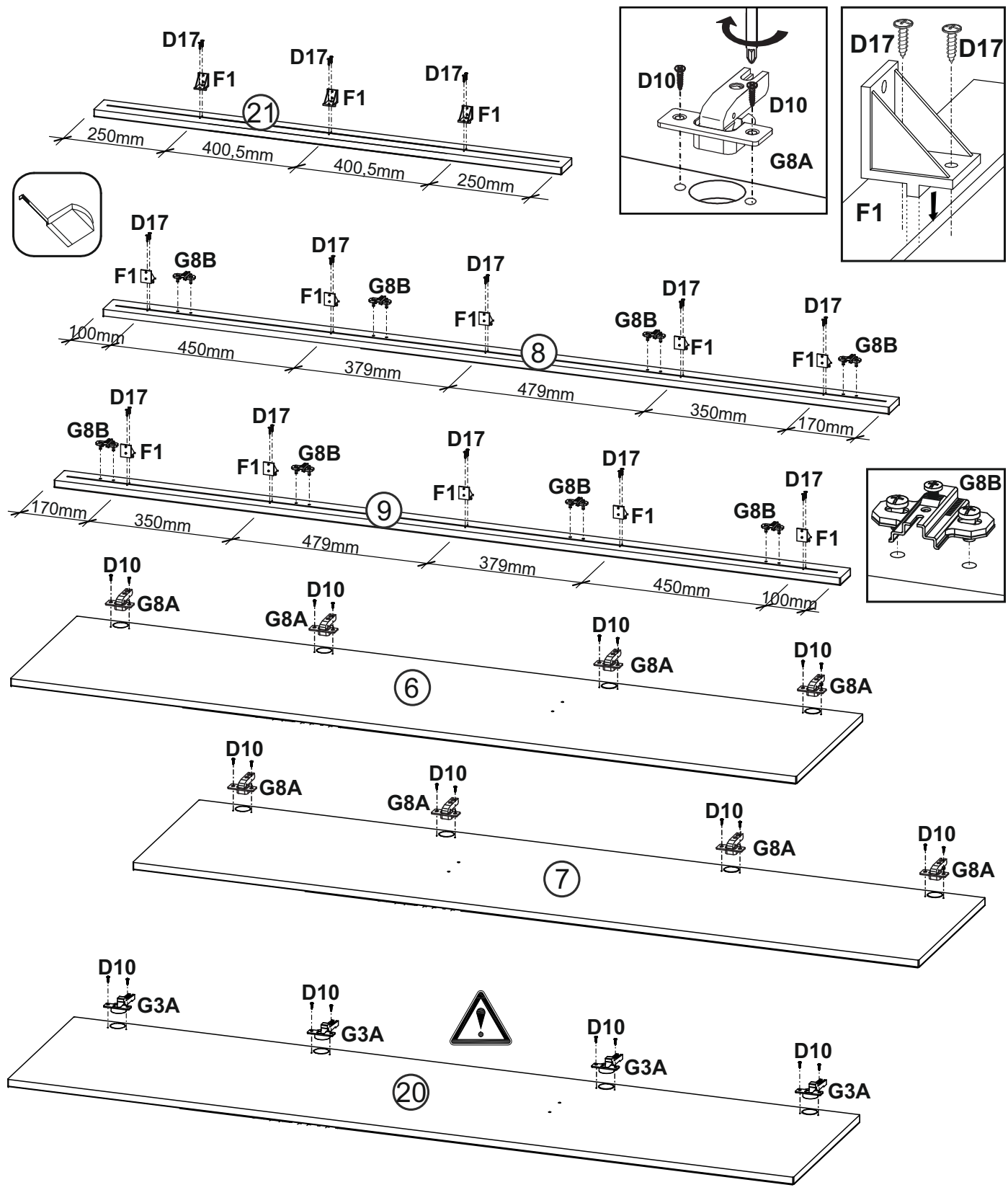
1

A0 8 x 30mm 	x9	C1 16mm 	x6	C2 	x16
D0 3 x 15 mm 	x6	G1B 	x4	H0 	x12
				F3 	x2





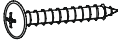
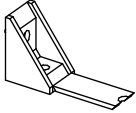


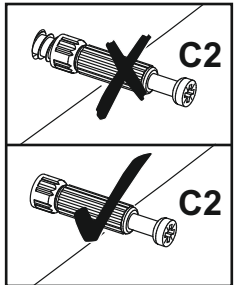
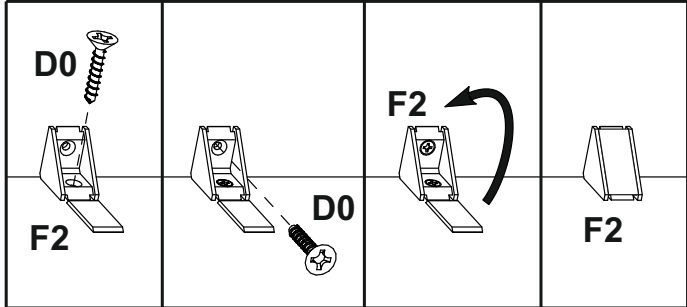
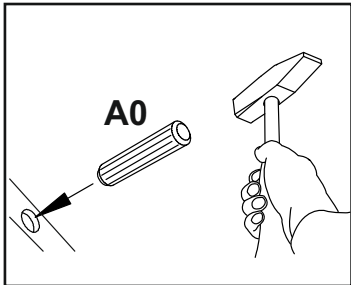
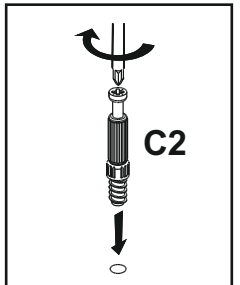
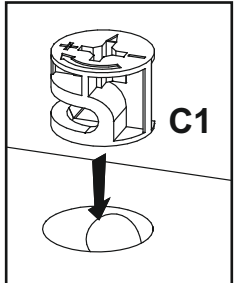
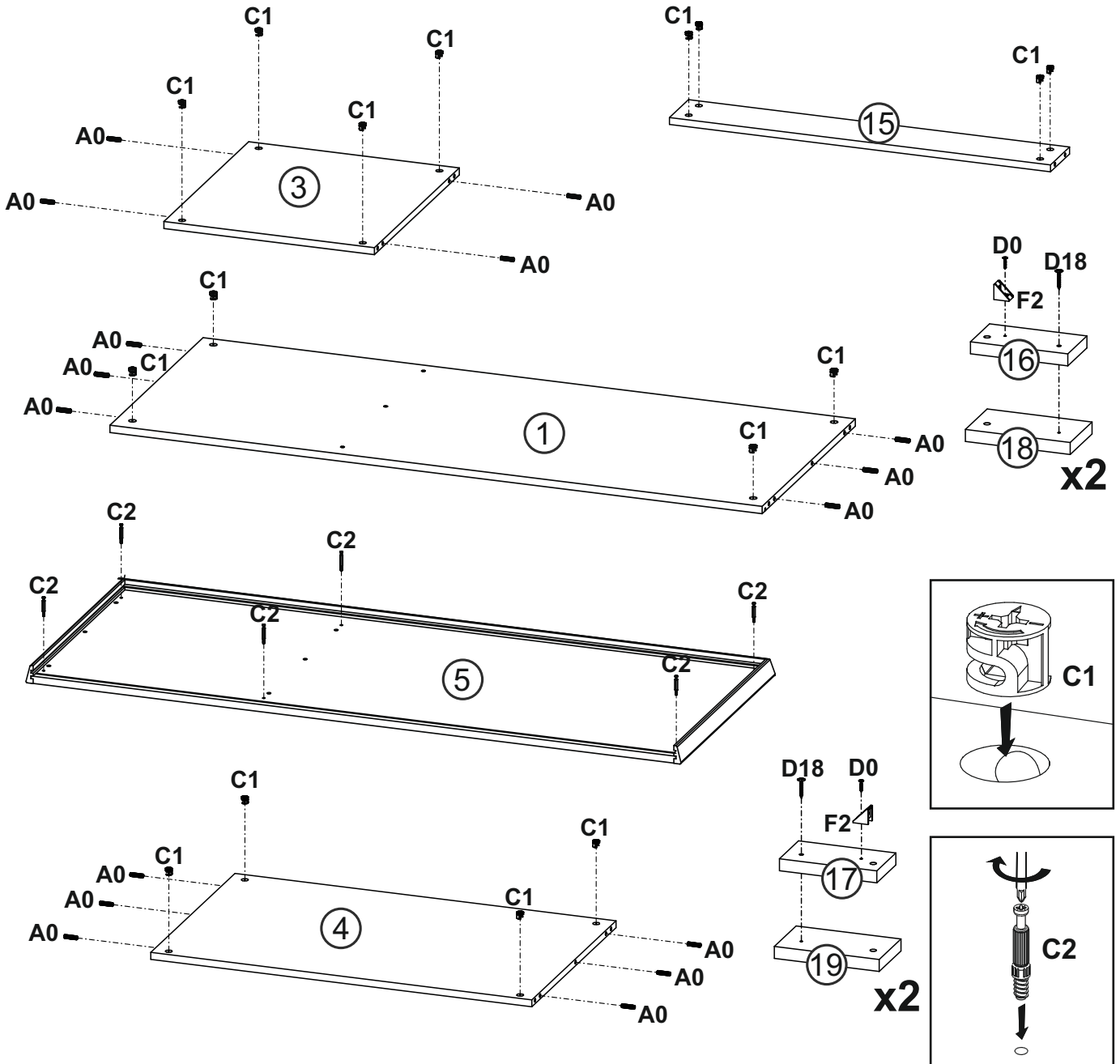
2

D10 4 x 16 mm 	x24	D17 3,5 x 16 mm 	x26	F1 	x13
G3A 	x4	G8A 	x8	G8B 	x8



3

A0 8 x 30mm 	x16	C1 16mm 	x16	C2 	x6
D0 3 x 15 mm 	x4	D18 4.2 x 30 mm 	x4	F2 	x4



4

B2

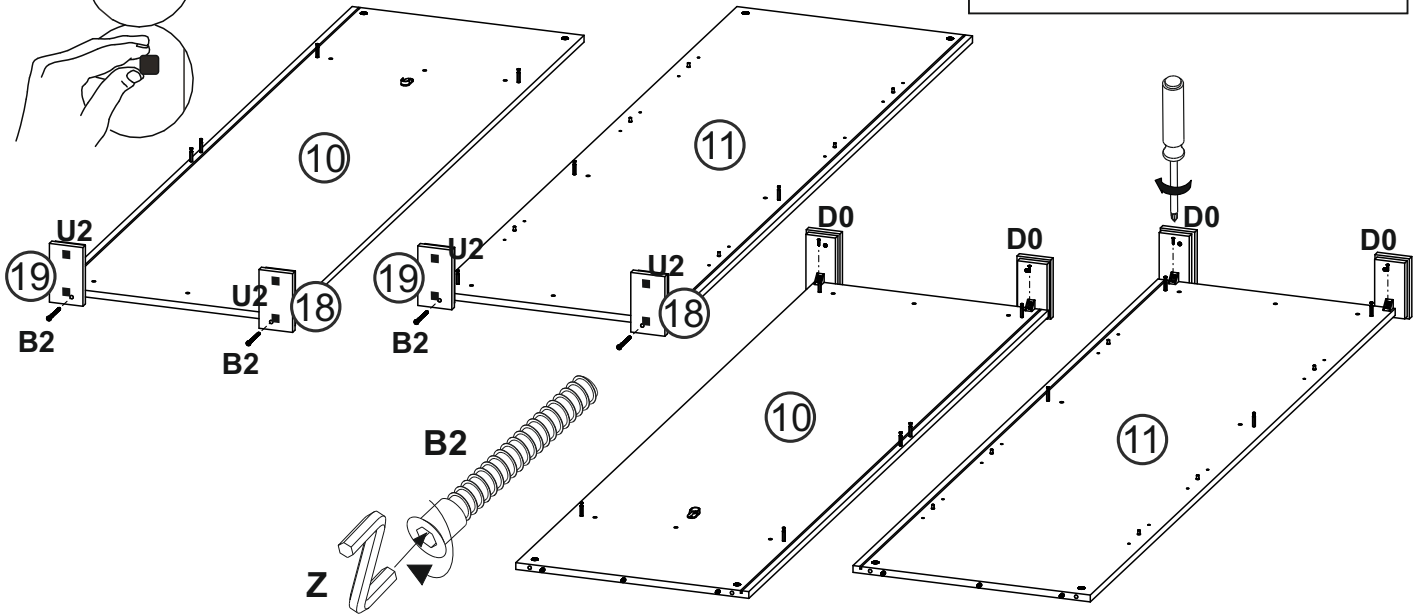
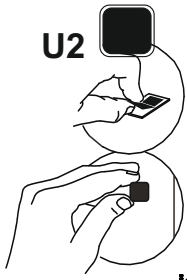
7 x 70 mm

x4**D0**

3 x 15 mm

x4**U2****x8****Z**

4mm

x1

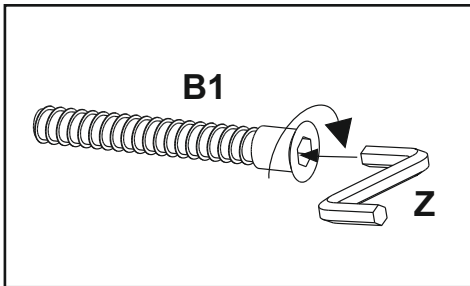
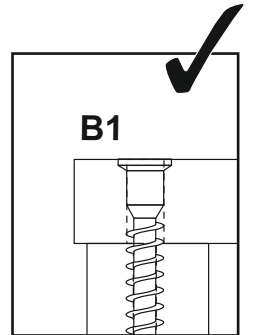
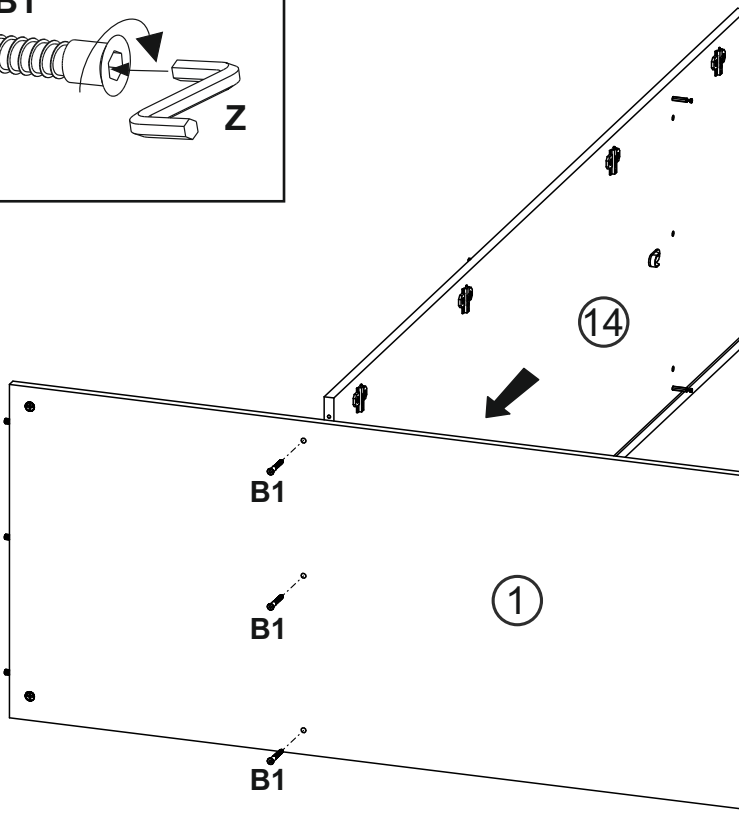
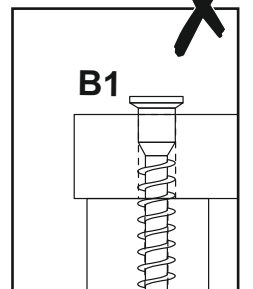
5

B1

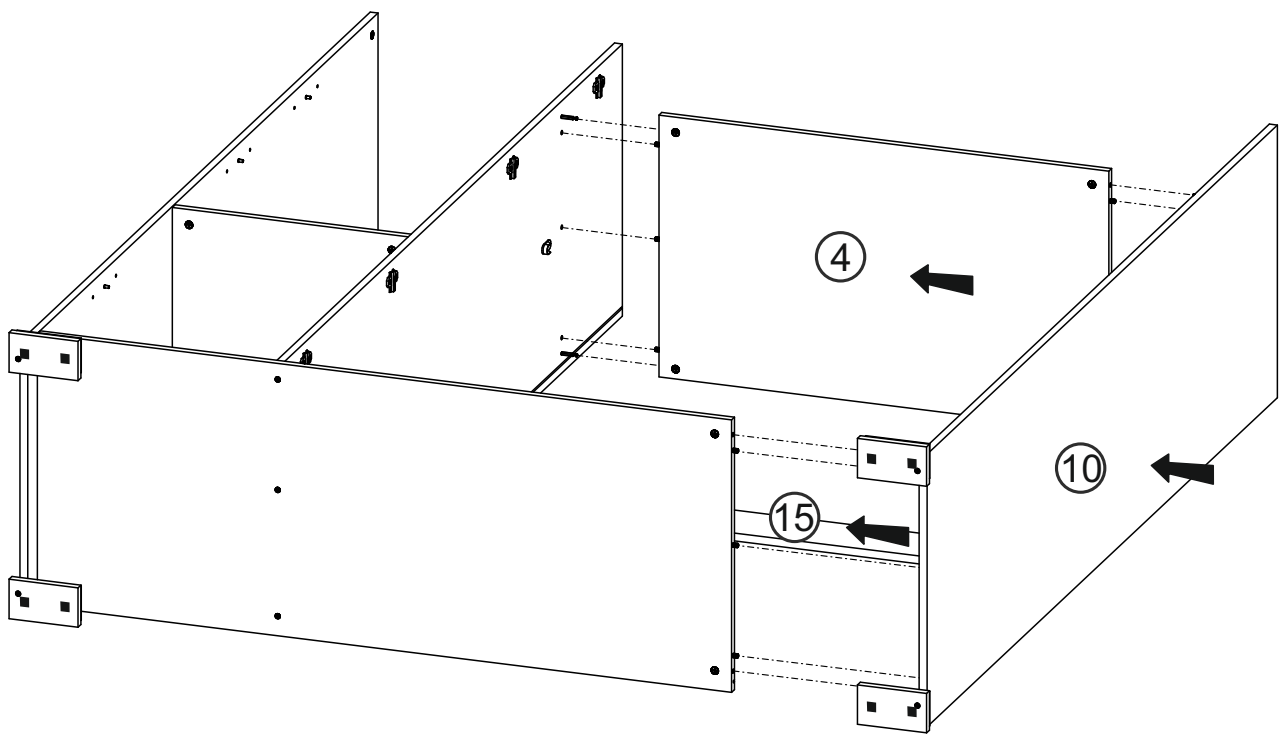
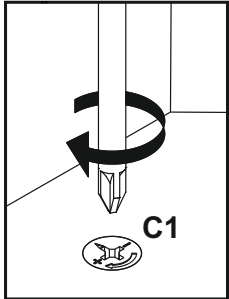
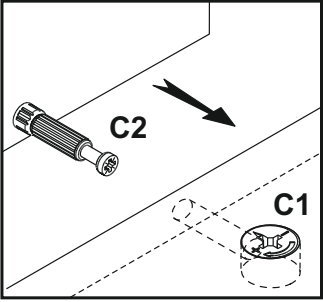
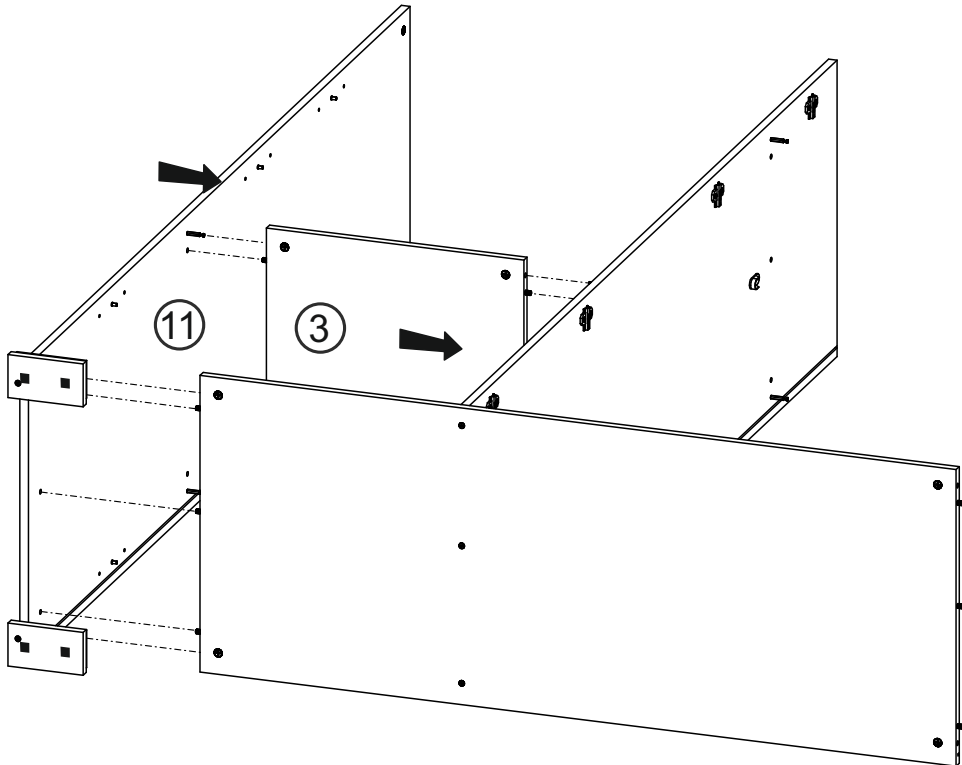
6.4 x 50 mm

x3**Z**

4mm

x1**B1****Z****B1****B1**

6



7

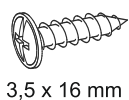
(D0)

3 x 15 mm

x8



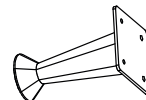
(D17)



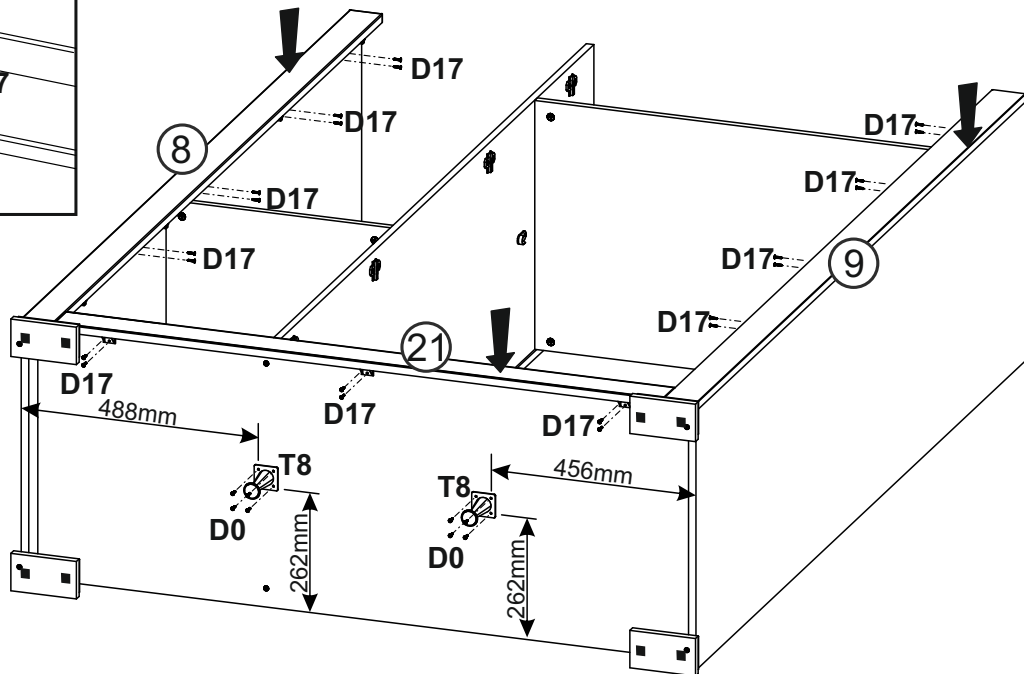
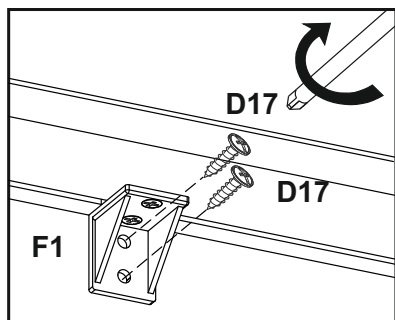
3,5 x 16 mm

x26

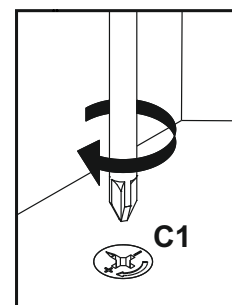
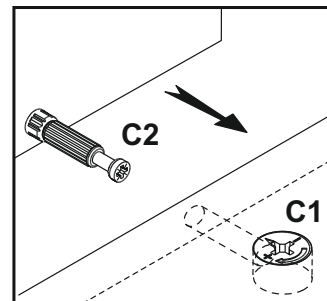
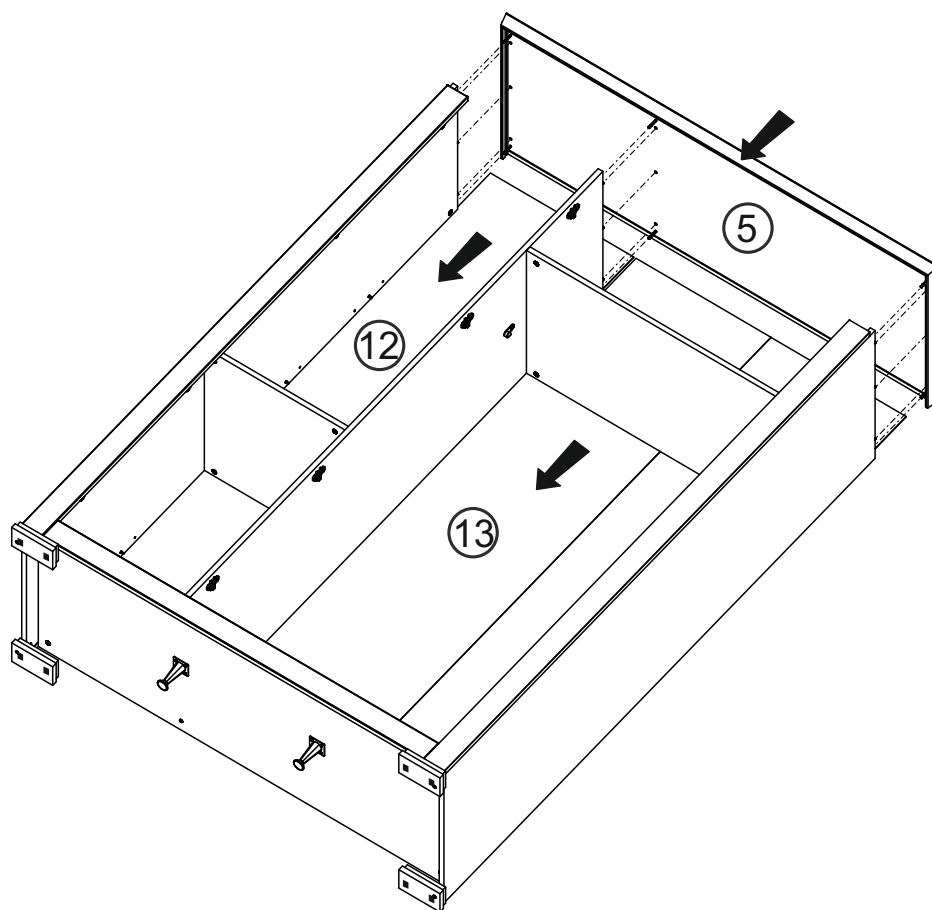
(T8)



x2



8



9

C0



x18

F6



L-907

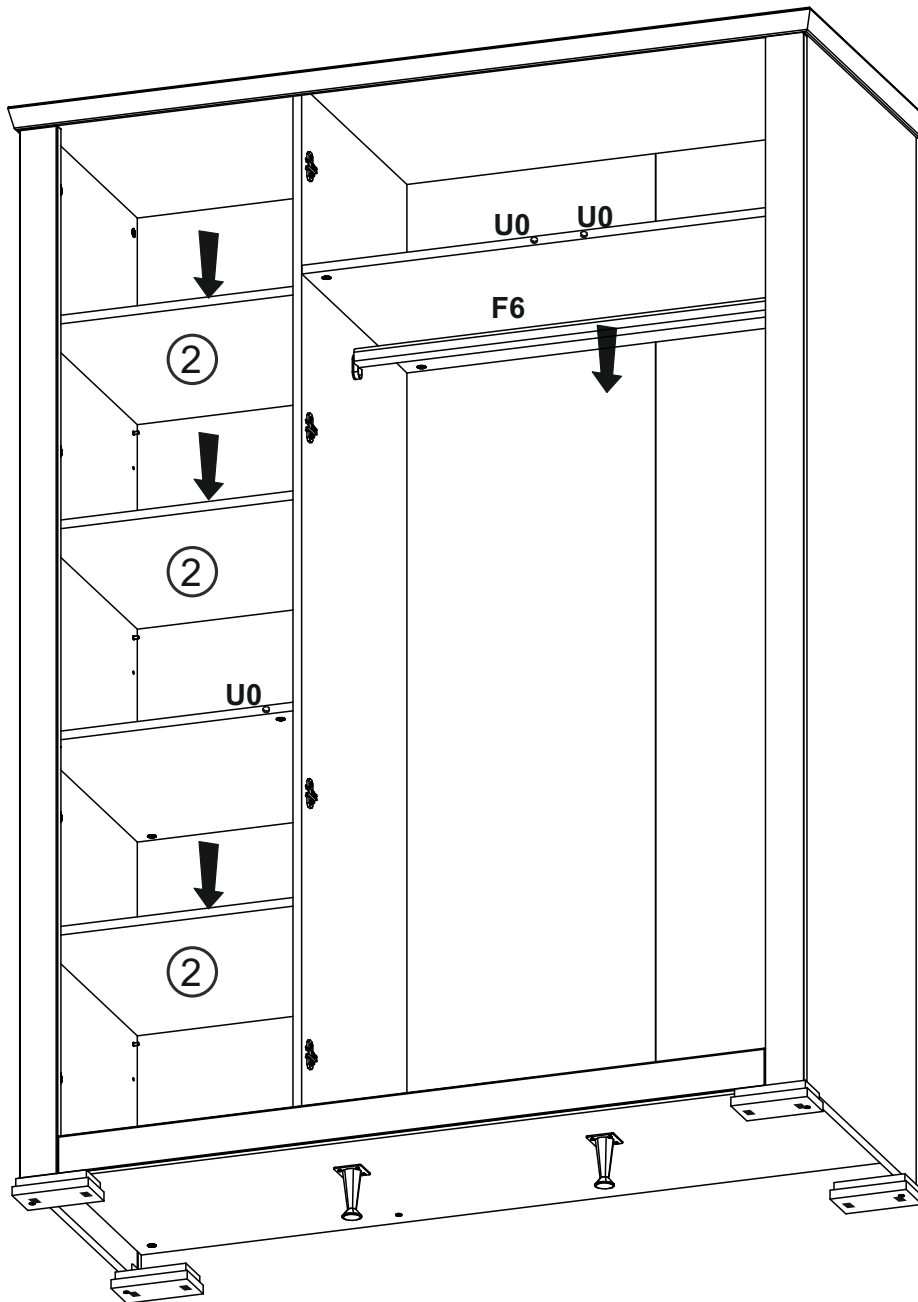
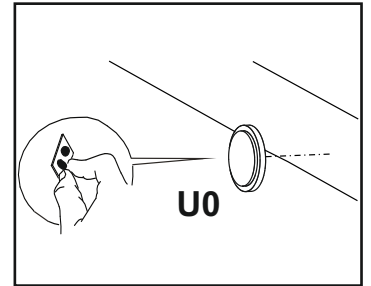
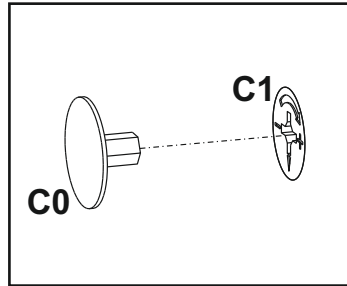
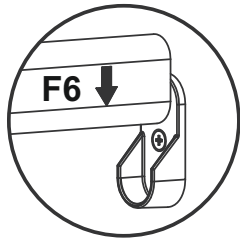
x1

O

U0



x3



10

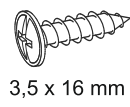
(D0)

3 x 15 mm

x25



(D17)



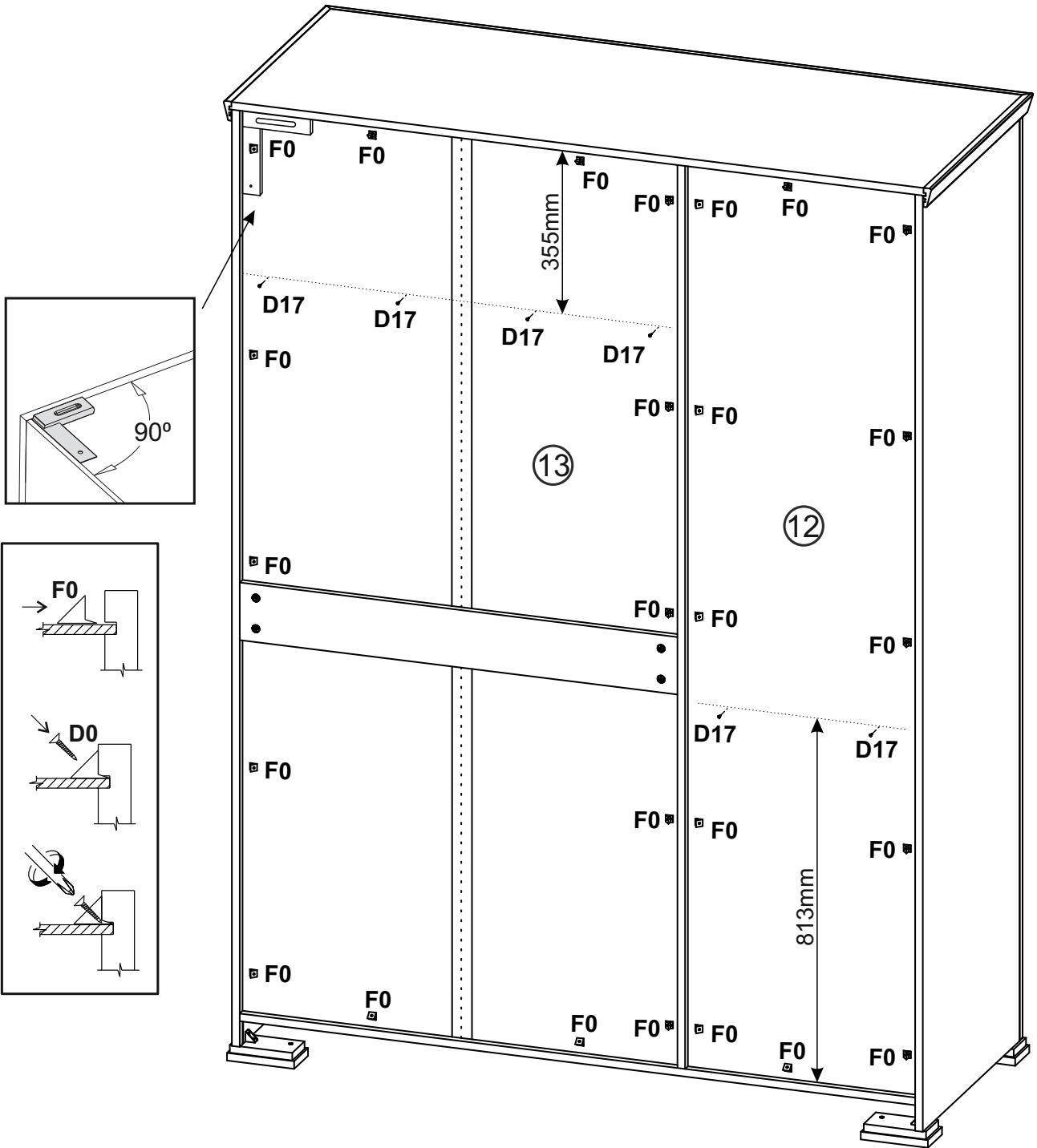
3,5 x 16 mm

x6

(F0)

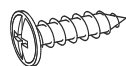


x25



11

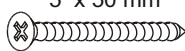
D17



3,5 x 16 mm

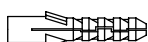
x4

E4



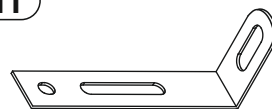
5 x 50 mm

8 x 50 mm

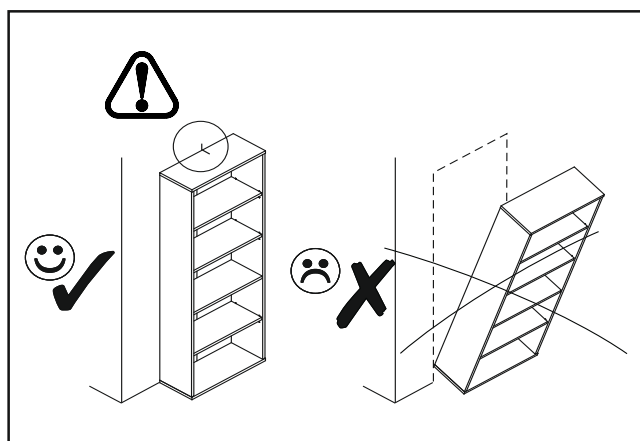
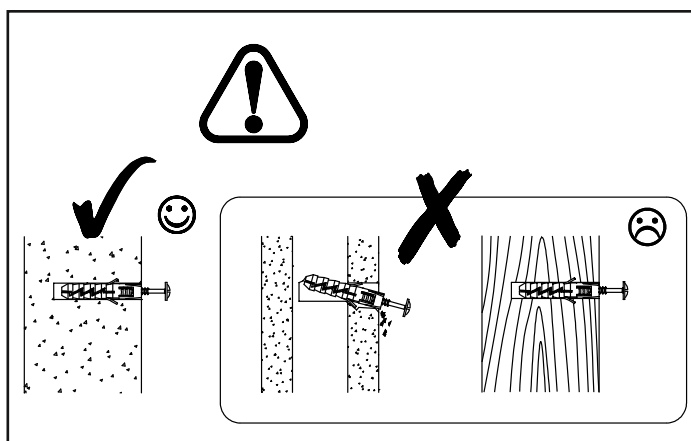
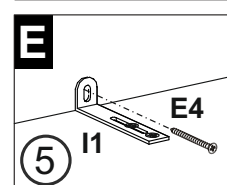
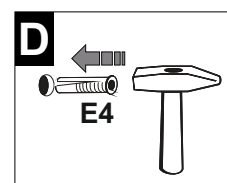
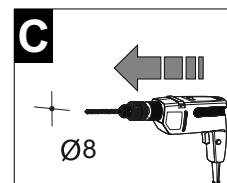
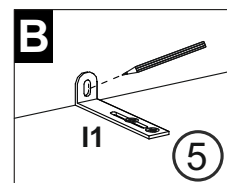
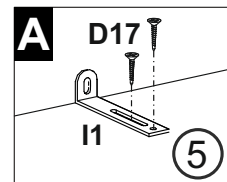
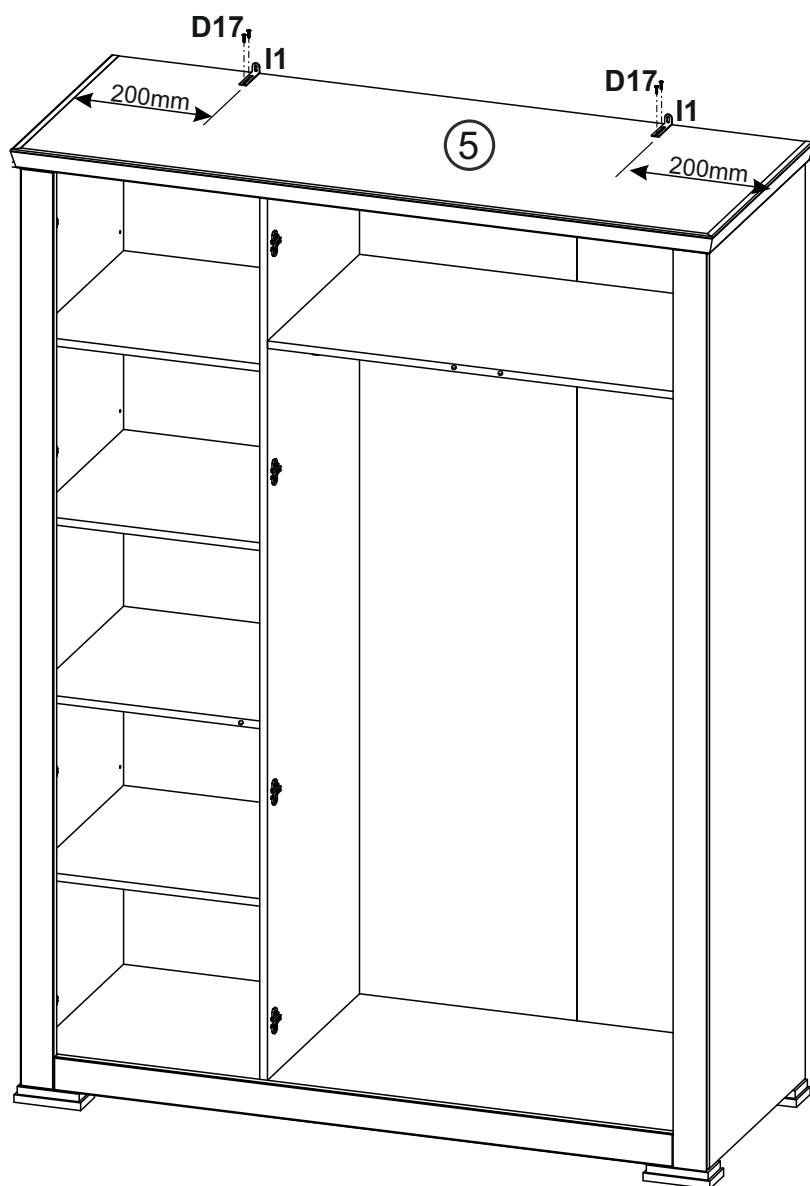


x2

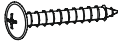
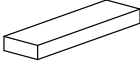
I1



x2



12

D18  4.2 x 30 mm	x6	L35 	x3
--	-----------	---	-----------

