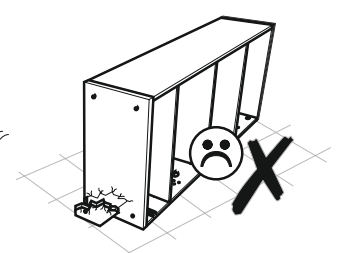
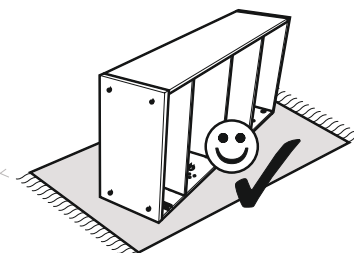
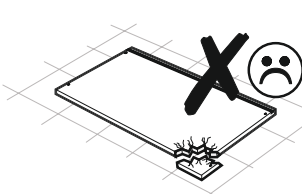
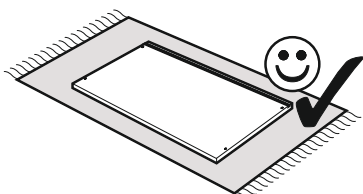
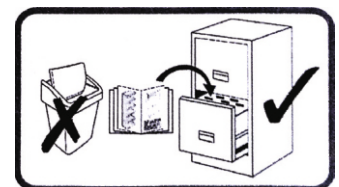
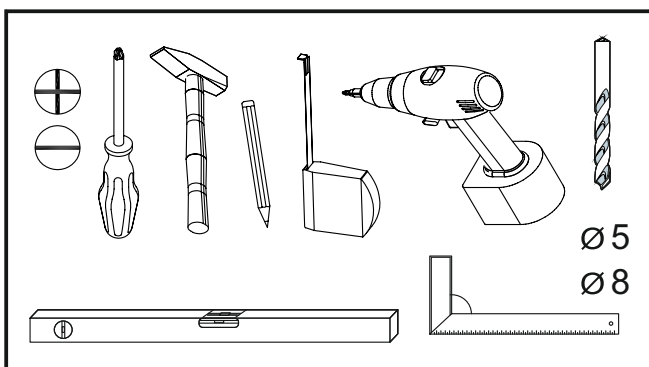
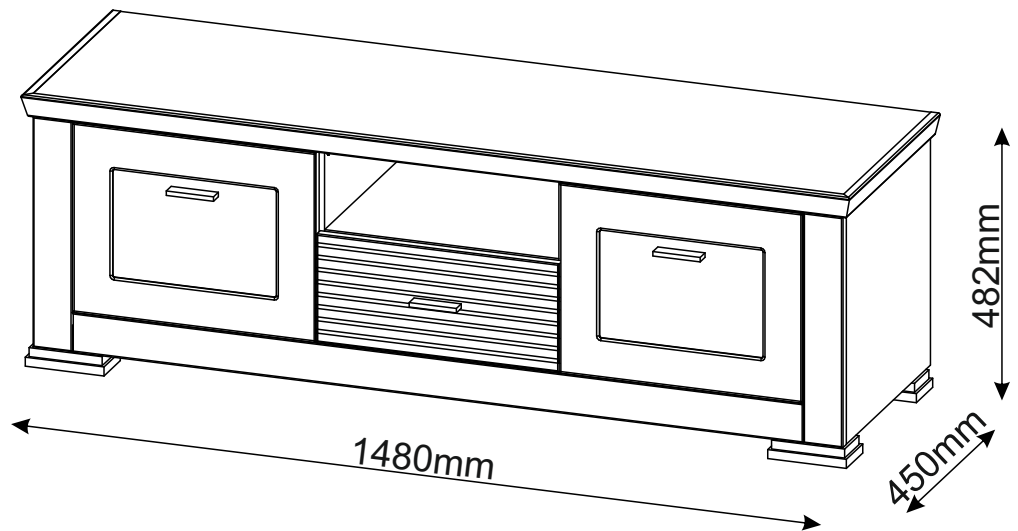
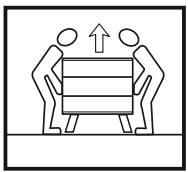
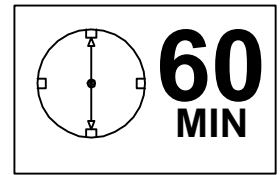
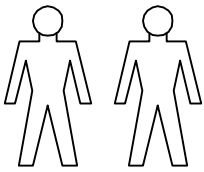
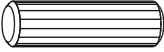







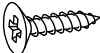
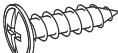
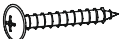

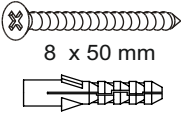
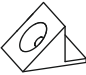

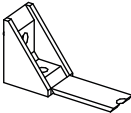

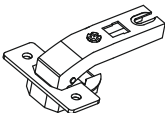
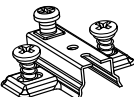
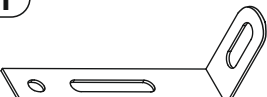
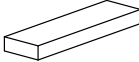

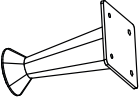


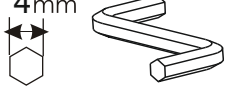
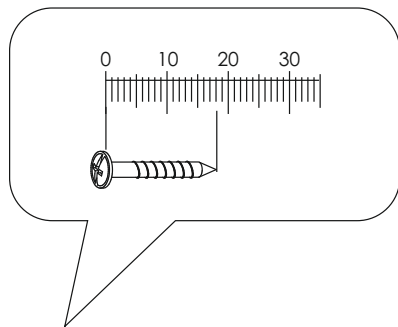


Agnes TV stand



Agnes TV stand


A0 8 x 30mm  x14	B0  x8	B1 6.4x 50 mm  x12
B2 7 x 70 mm  x4	C0  x14	C1 16mm  x14
C2  x14	D0 3 x 15 mm  x36	D10 4 x 16 mm  x8
D17  3,5 x 16 mm x36	D18  4.2 x 30 mm x10	D20 5 x 13 mm  x10
E4 5 x 50 mm 8 x 50 mm  x2	F0  x16	F1  x7
F2  x4	F10  x4	G8A  x4
G8B  x4	I1  x2	L35  x3
N22 L-350  x1	T8  x2	U0  x4
U2  x8	Z 4mm  x1	

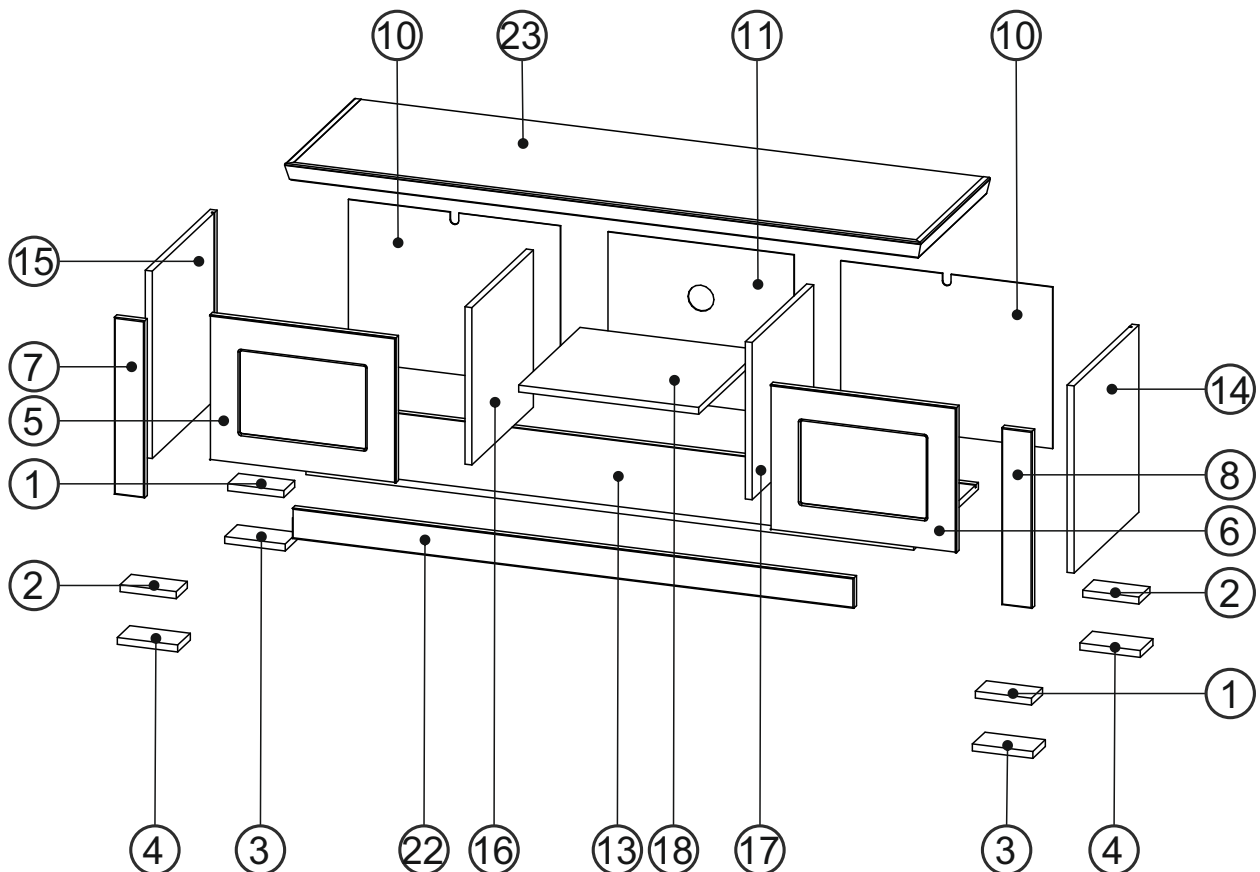
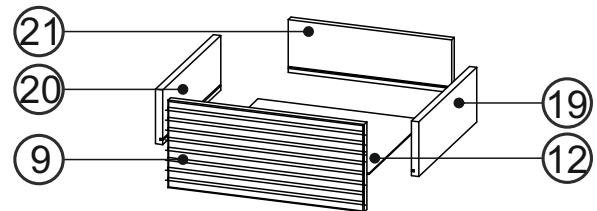


Agnes TV stand



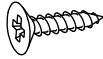
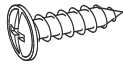


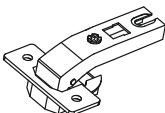
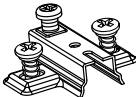
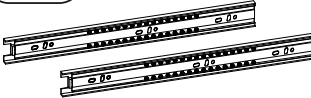
①	130	70	16	x2	1/2
②	130	70	16	x2	1/2
③	140	80	16	x2	1/2
④	140	80	16	x2	1/2
⑤	336	431	16	x1	1/2
⑥	336	431	16	x1	1/2
⑦	410	70	18	x1	1/2
⑧	410	70	18	x1	1/2
⑨	192	431	18	x1	1/2

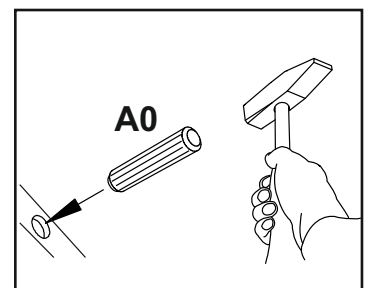
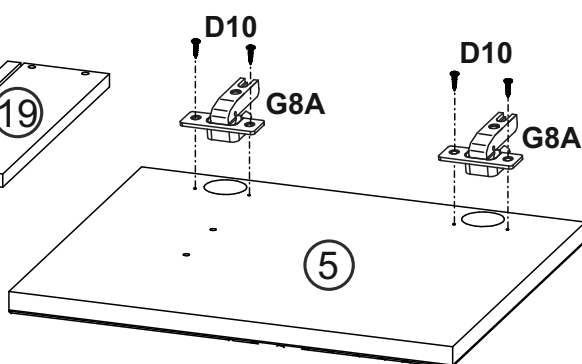
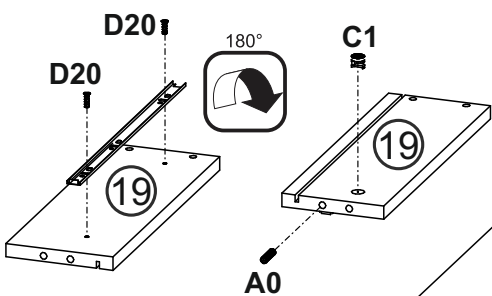
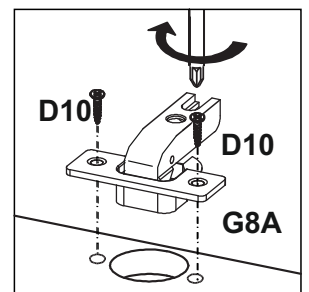
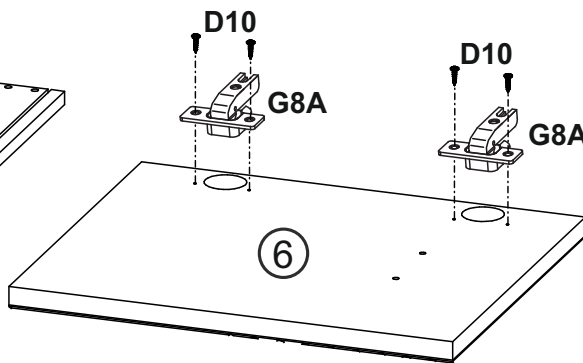
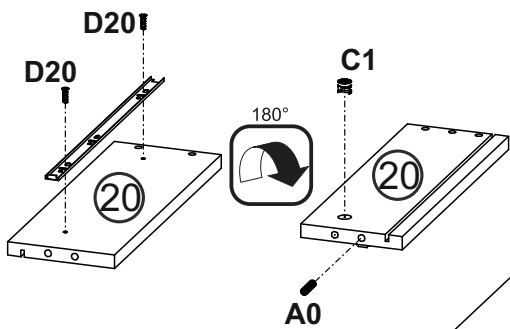
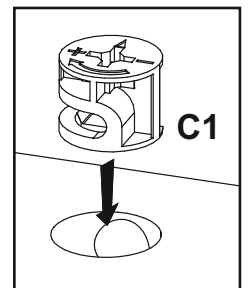
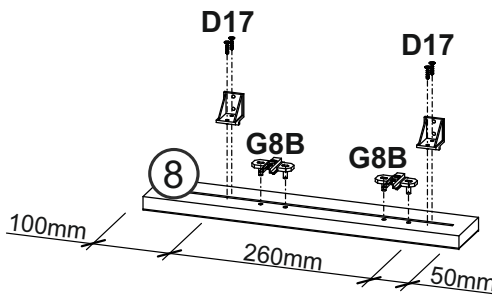
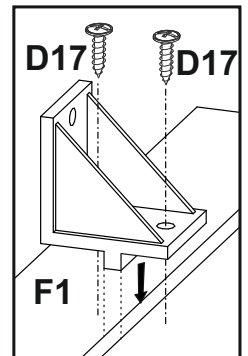
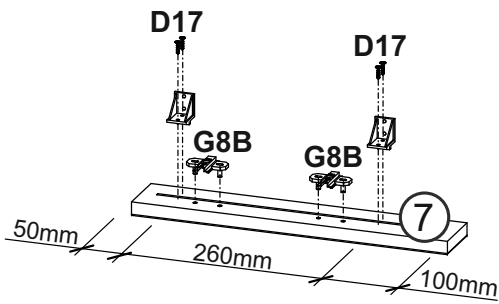
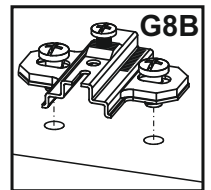
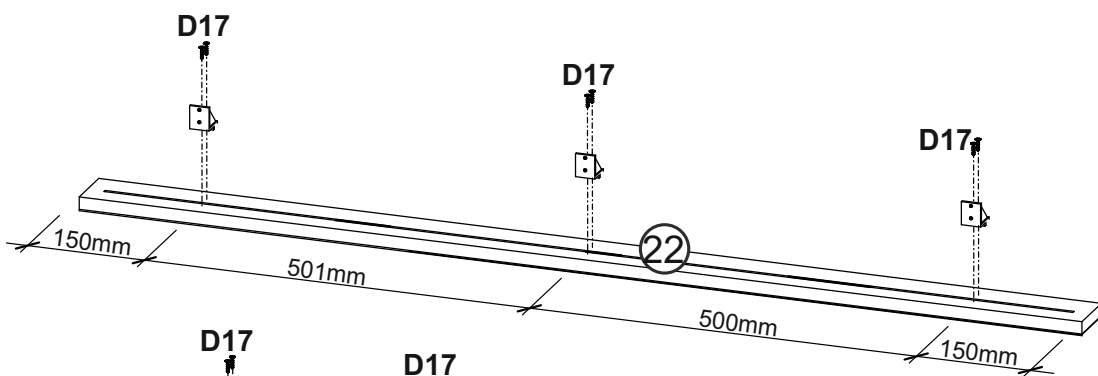
⑩	374	491	3	x2	1/2
⑪	374	431	3	x1	1/2
⑫	369	344	3	x1	1/2
⑬	1408	412.5	16	x1	2/2
⑭	434	413	16	x1	2/2
⑮	434	413	16	x1	2/2
⑯	364.5	391	16	x1	2/2
⑰	364.5	391	16	x1	2/2
⑱	417	390.5	16	x1	2/2

⑲	350	120	16	x1	2/2
⑳	350	120	16	x1	2/2
㉑	359	116	16	x1	2/2
㉒	1301	70	18	x1	2/2
㉓	1480	450	40	x1	2/2
					1/2

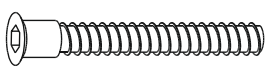
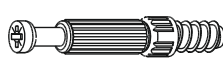

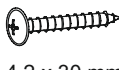
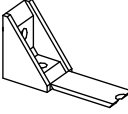



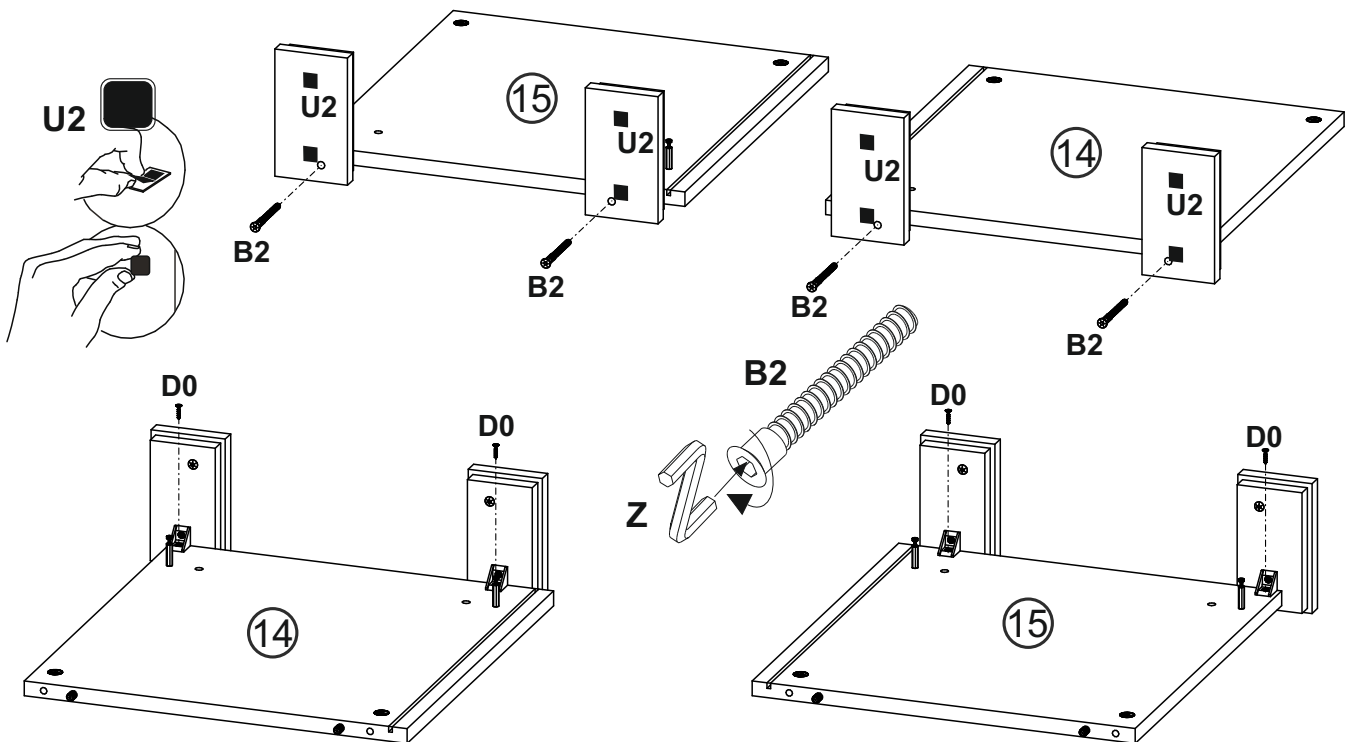
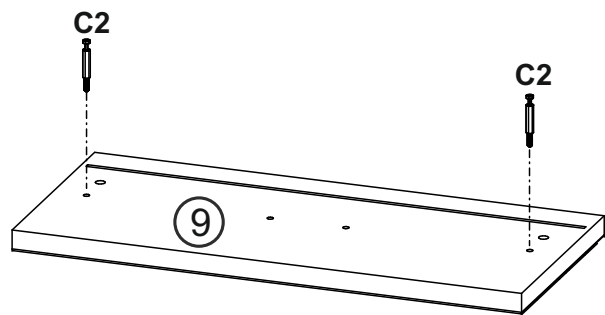
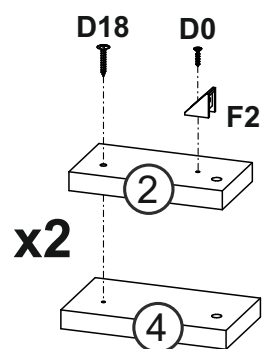
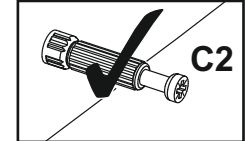
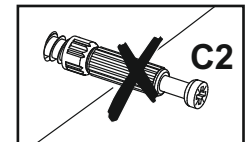
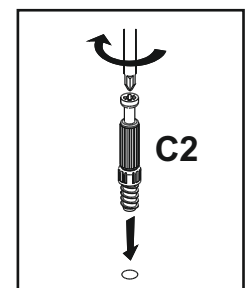
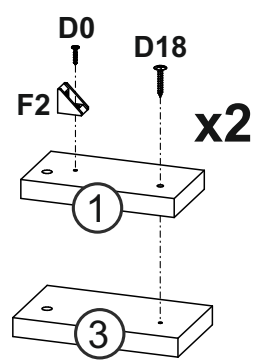
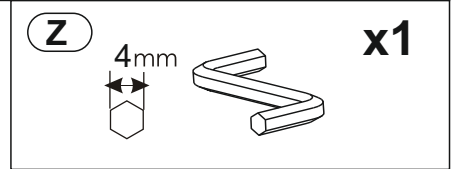
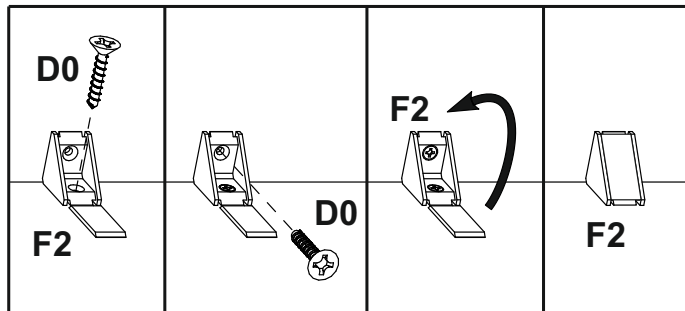
2

A0 8 x 30mm 	x2	C1 16mm 	x2	D10 4 x 16 mm 	x8
D17  3,5 x 16 mm	x14	D20 5 x 13 mm 	x4	F1 	x7
G8A 	x4	G8B 	x4	N22 L-350 	x1






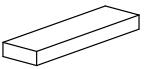

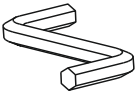


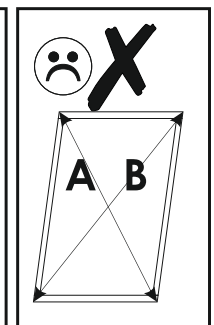
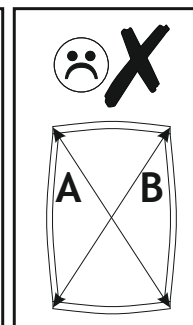
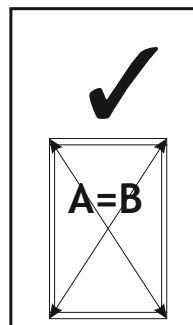
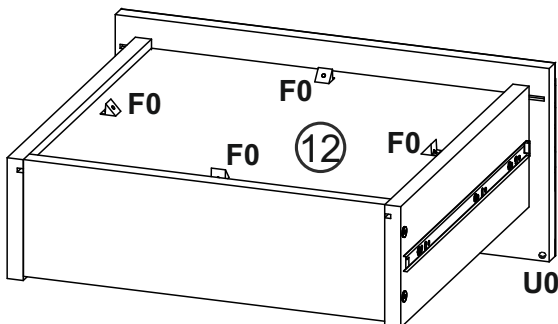
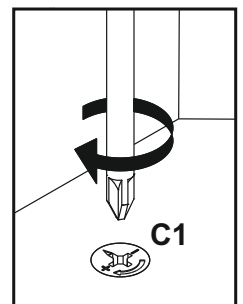
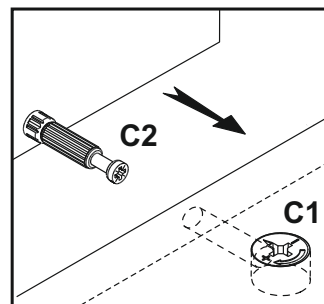
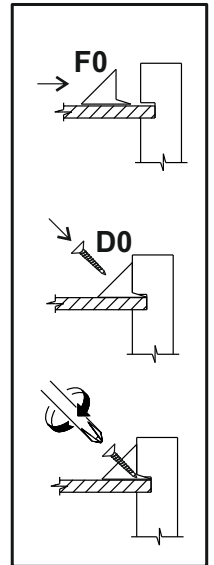
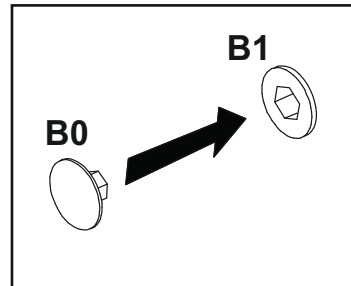
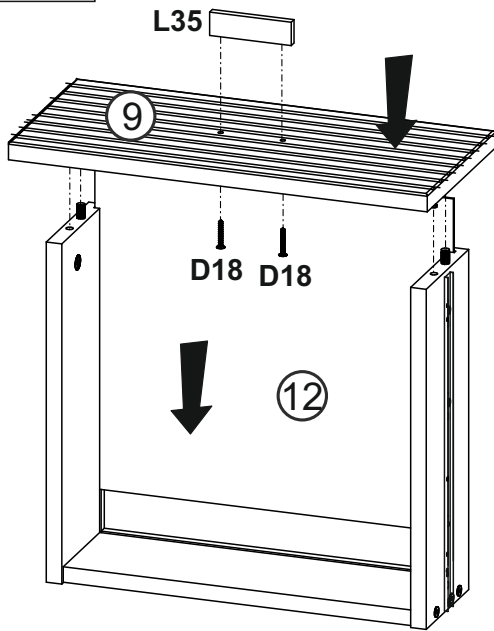
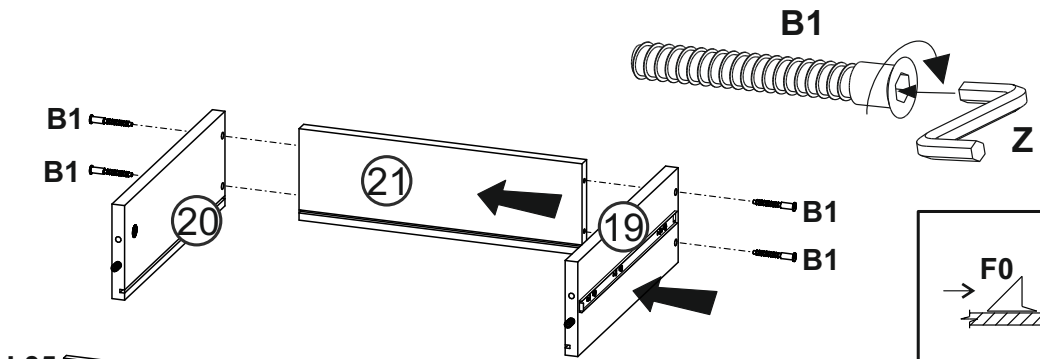
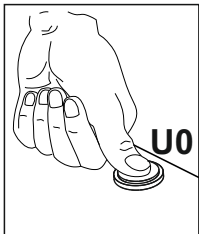
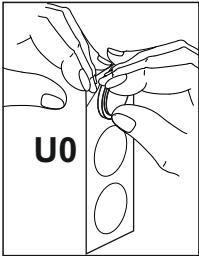
3

(B2) 7 x 70 mm 	x4	(C2) 	x2	(D0) 3 x 15 mm 	x8
(D18) 4.2 x 30 mm 	x4	(F2) 	x4	(U2) 	x8



4

B0		x4	B1	6.4 x 50 mm		x4	D0	3 x 15 mm		x4
D18		x2	F0			x3	L35			x1
			U0			x2	Z	4mm		x1



5

(B0)



x4

(B1)

6.4x 50 mm

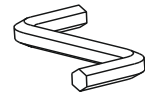


x8

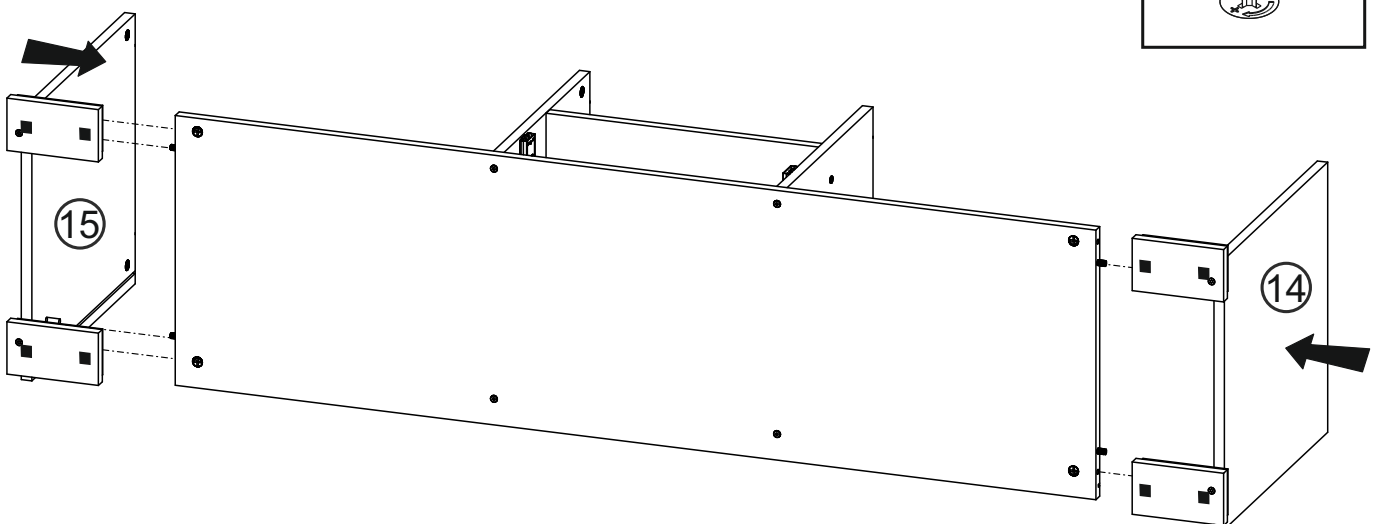
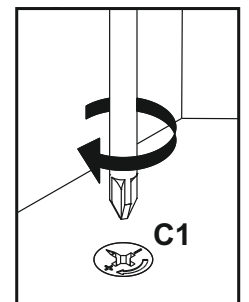
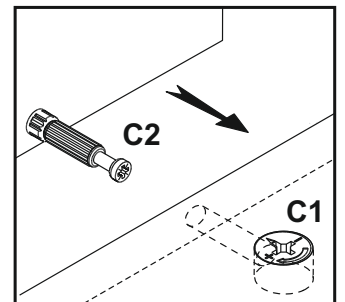
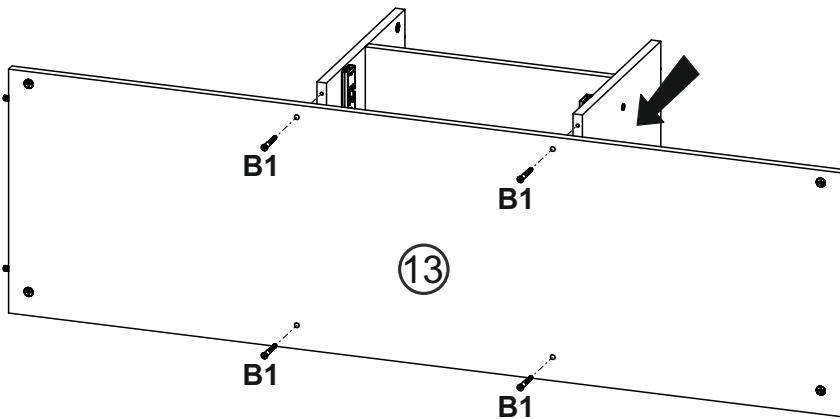
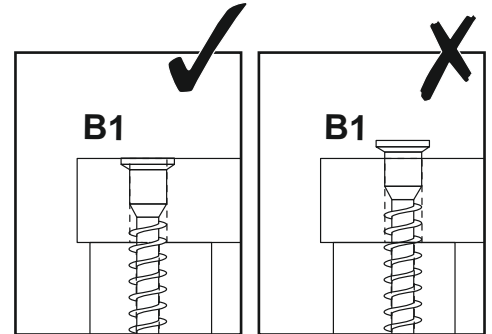
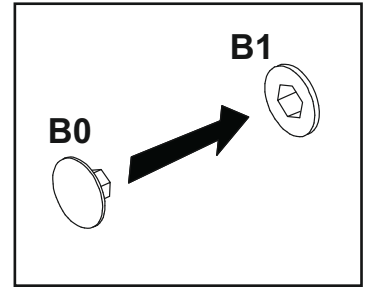
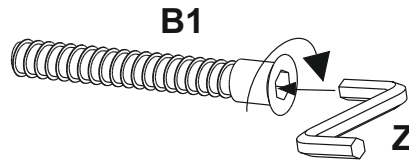
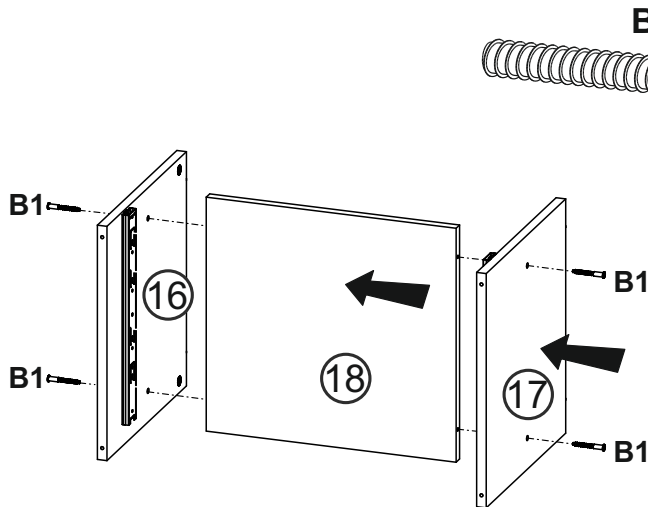
(Z)



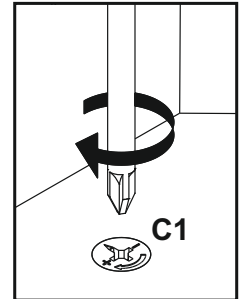
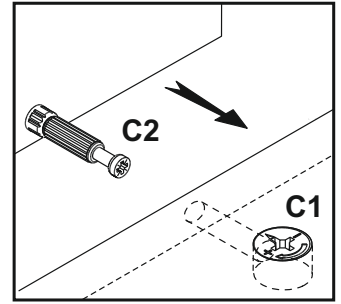
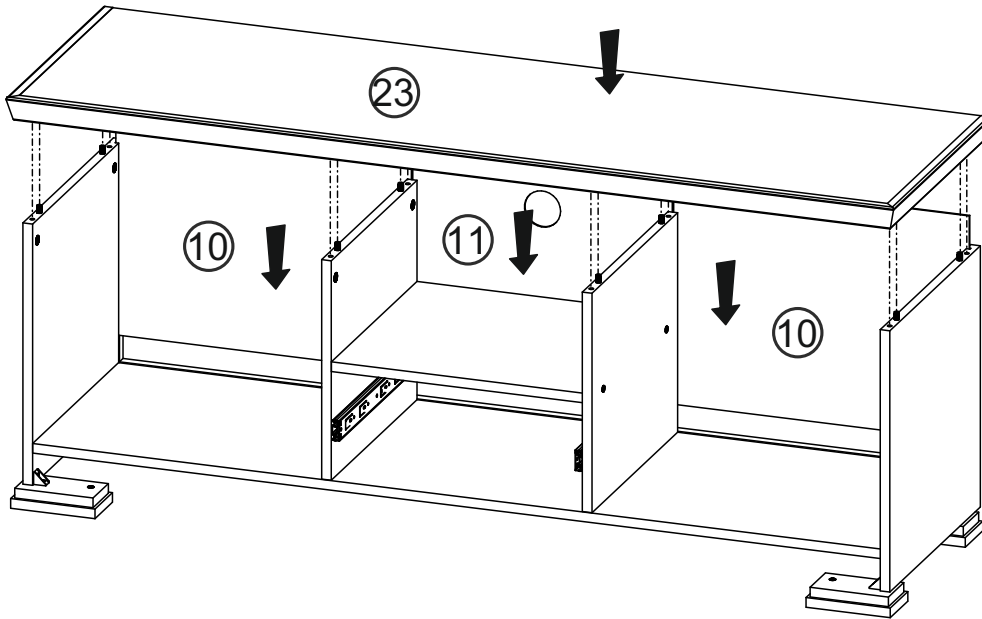
4mm




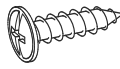
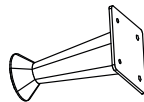
x1

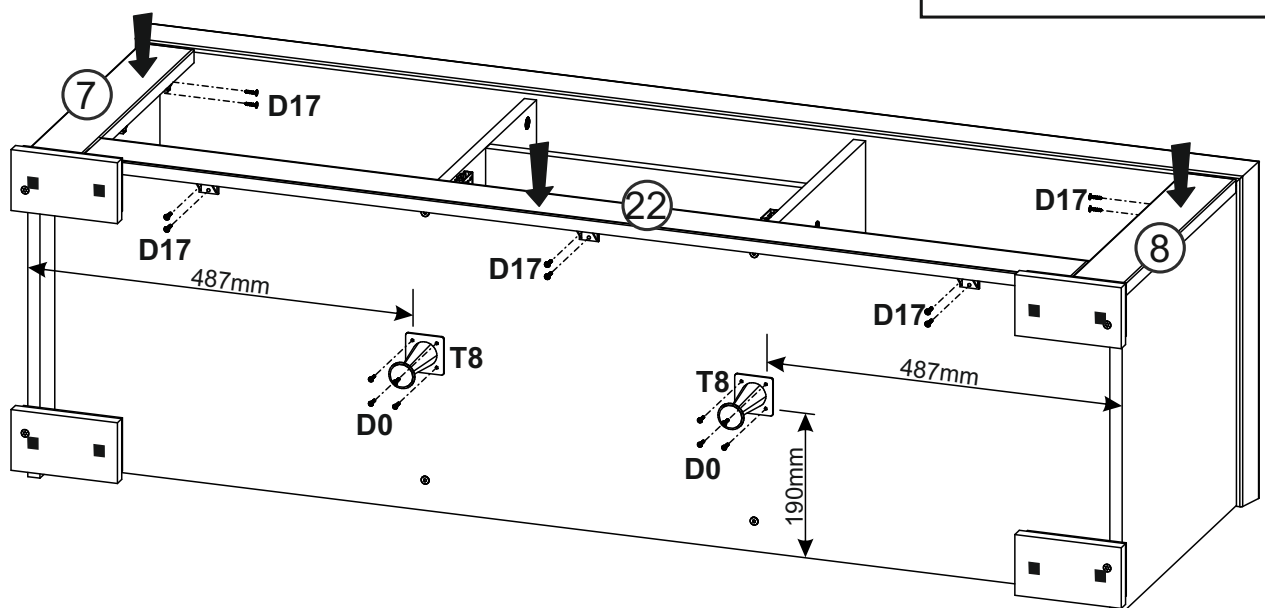
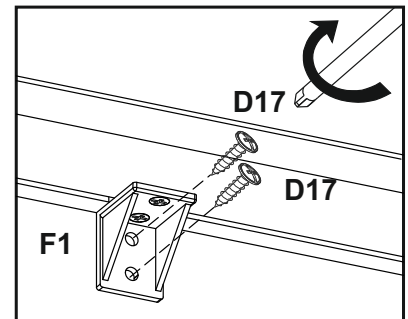


6


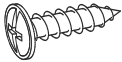

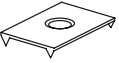


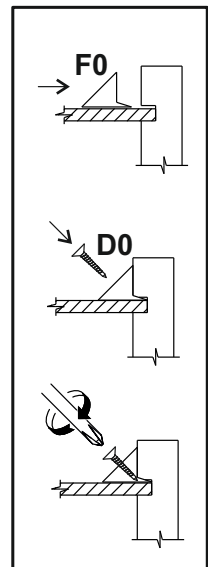
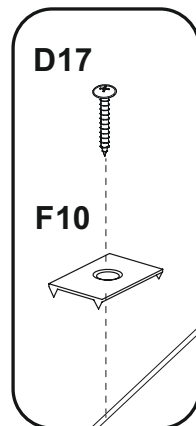
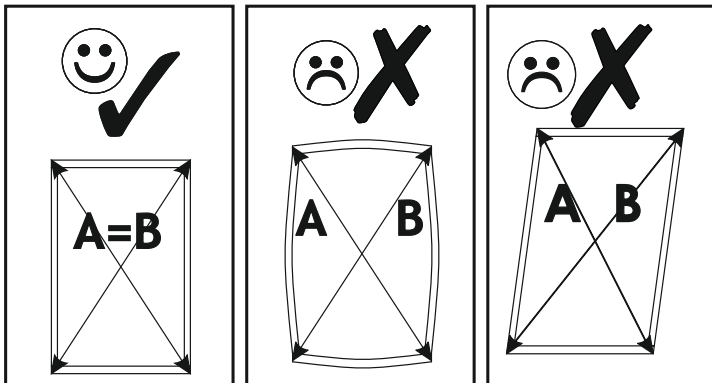
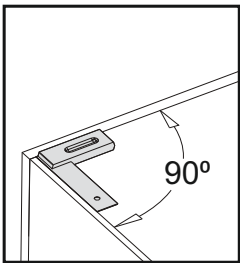
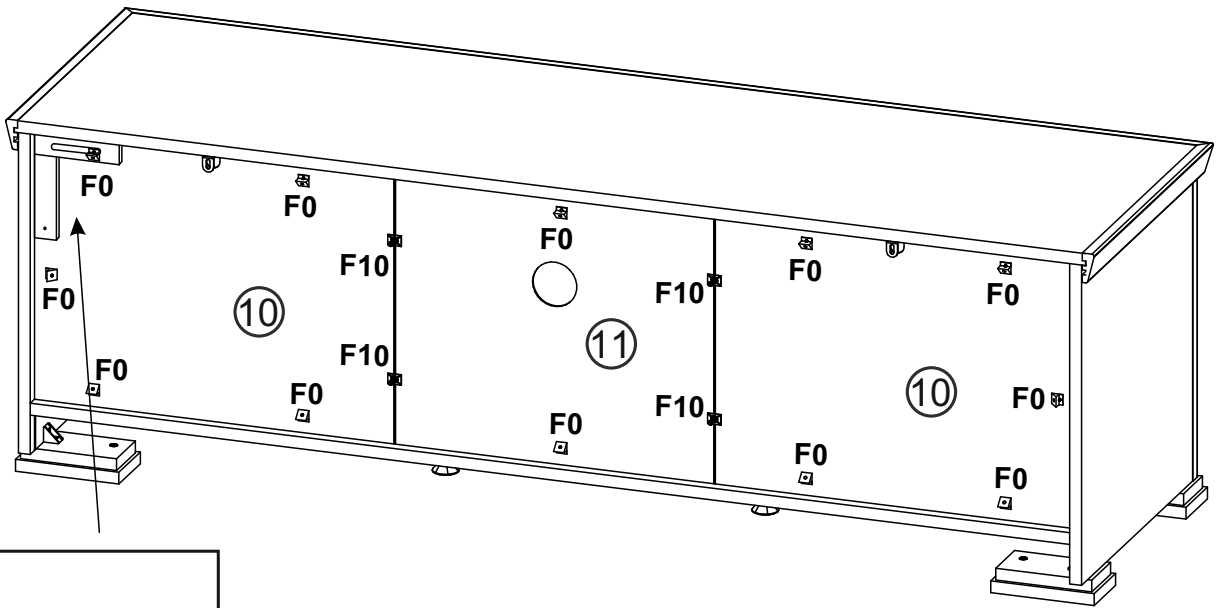
7

(D0) 3 x 15 mm 	x4	(D17)  3,5 x 16 mm	x24	(T8) 	x1
---	-----------	--	------------	--	-----------



8

(D0) 3 x 15 mm x12 	(D17)  3,5 x 16 mm x4	(F0)  x12
		(F10)  x4



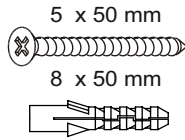
9

C0

x14



E4

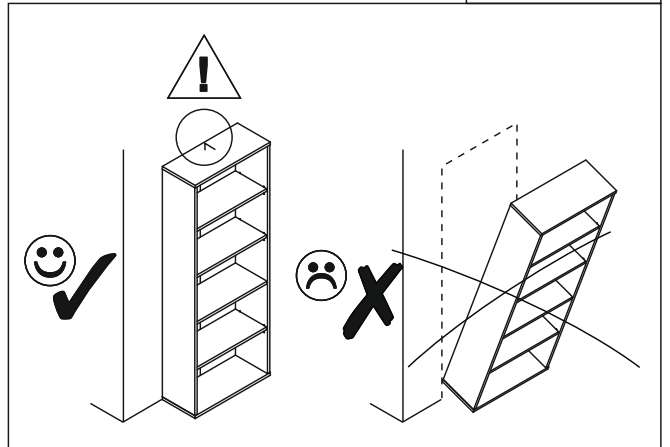
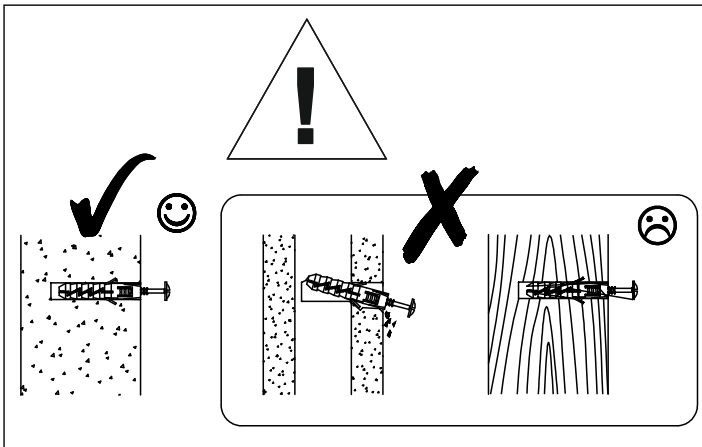
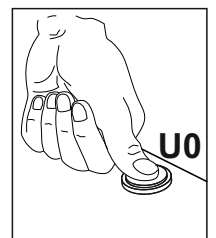
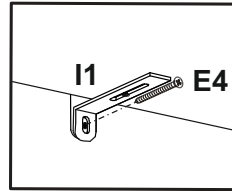
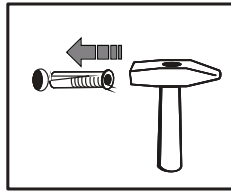
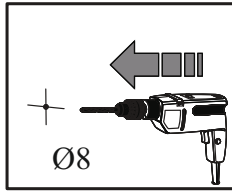
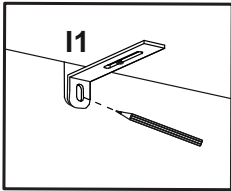
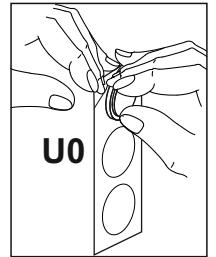
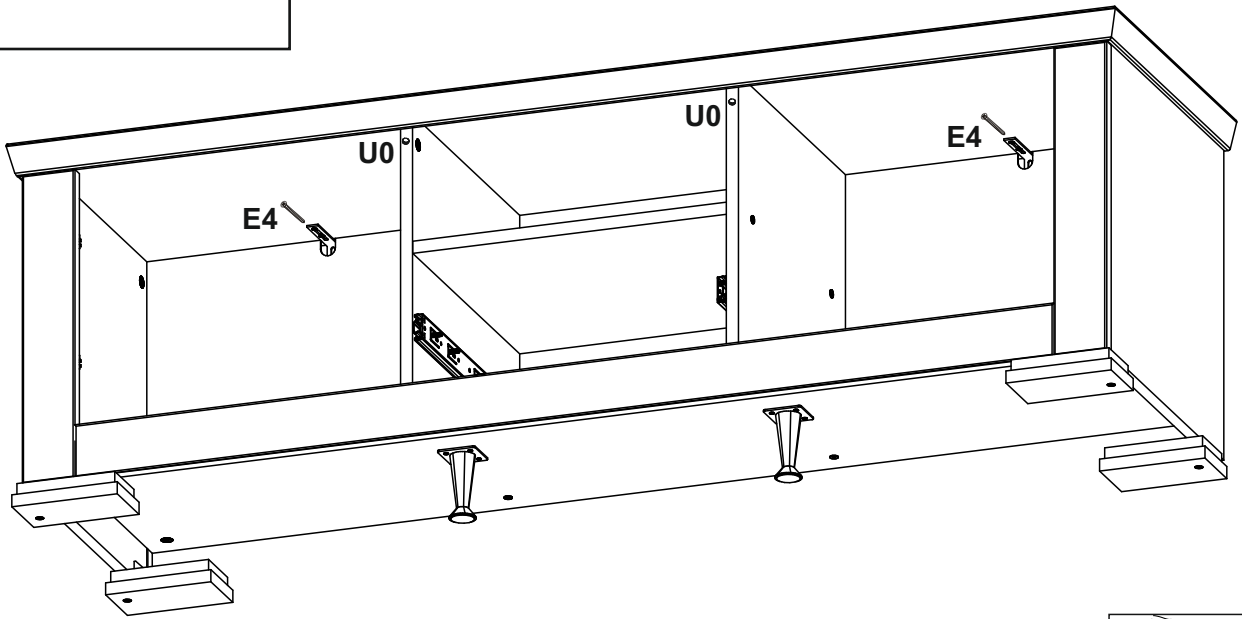
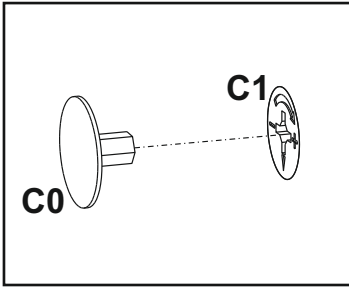


x2

U0



x2



10

D0

3 x 15 mm

x4



D18

4.2 x 30 mm

x4

L35

x2

