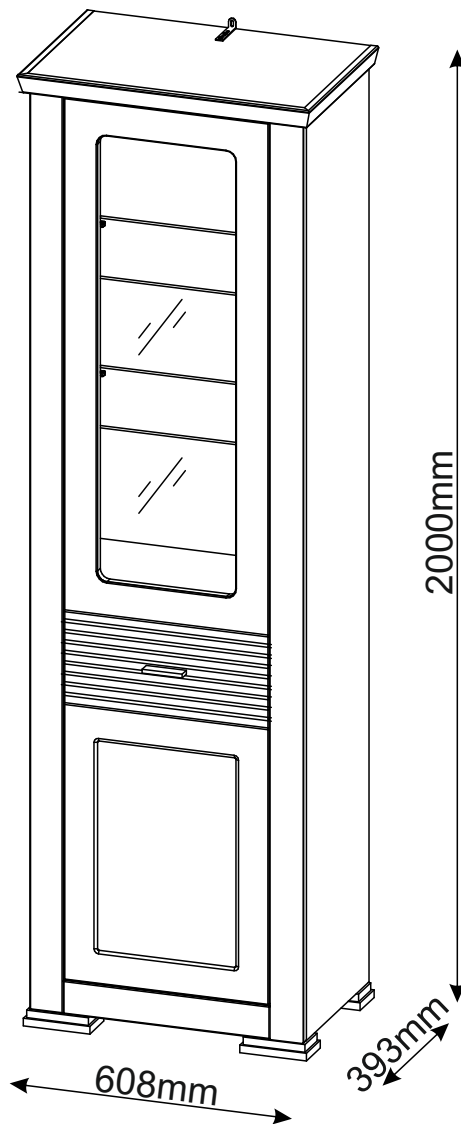
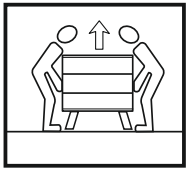
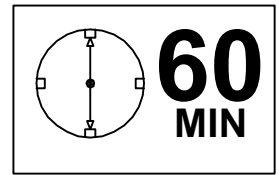
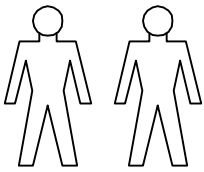
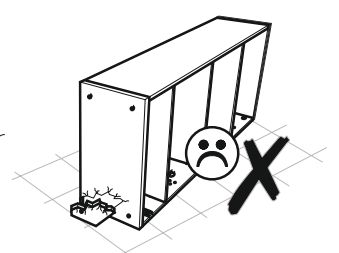
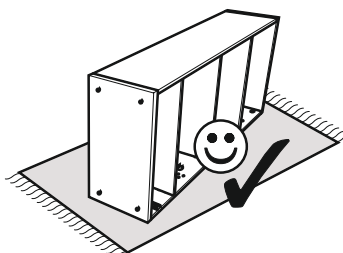
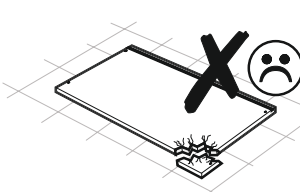
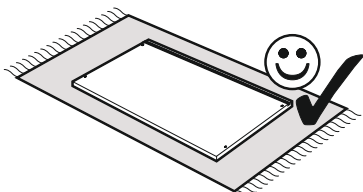
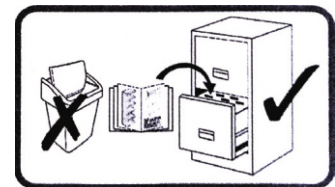
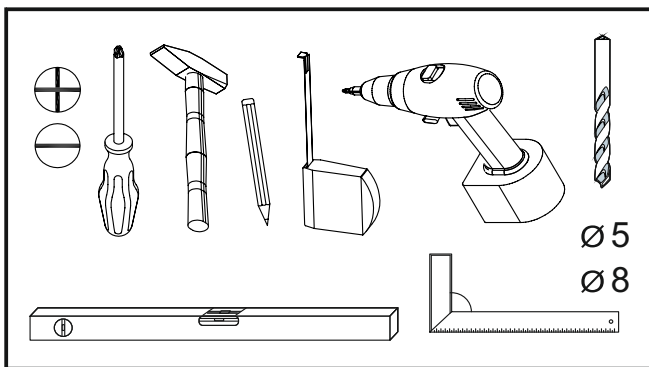
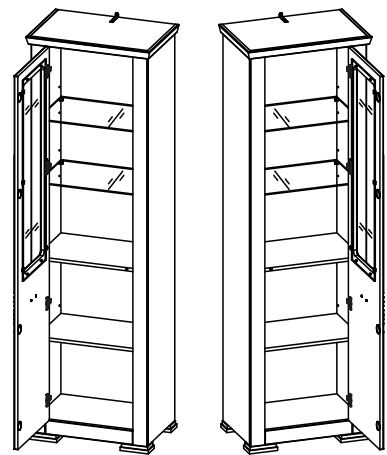


Agnes Tall cabinet 1D glass


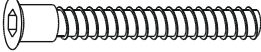




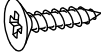
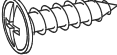
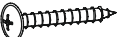
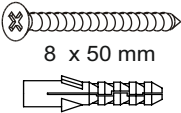


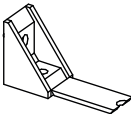
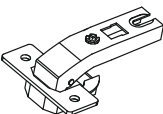
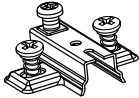


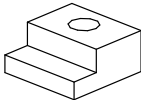
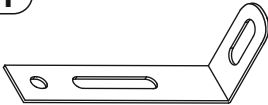




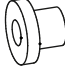


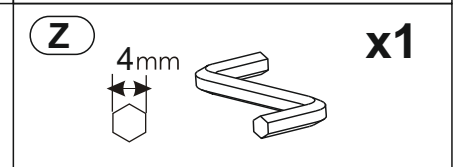
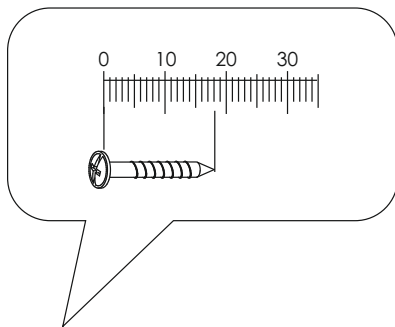
L

R



Agnes Tall cabinet 1D glass


A0 8 x 30mm 	x12	B2 7 x 70 mm 	x4	C0 	x8
C1  16mm	x12	C2 	x12	D0 3 x 15 mm 	x28
D10 4 x 16 mm 	x8	D17  3,5 x 16 mm	x56	D18  4.2 x 30 mm	x6
E4 5 x 50 mm 8 x 50 mm 	x1	F0 	x14	F1 	x12
F2 	x4	G8A 	x4	G8B 	x4
H0 	x4	H1 	x8	H7 	x6
I1 	x1	L35 	x1	M0 	x4
U0 	x1	U2 	x8	U4 	x4

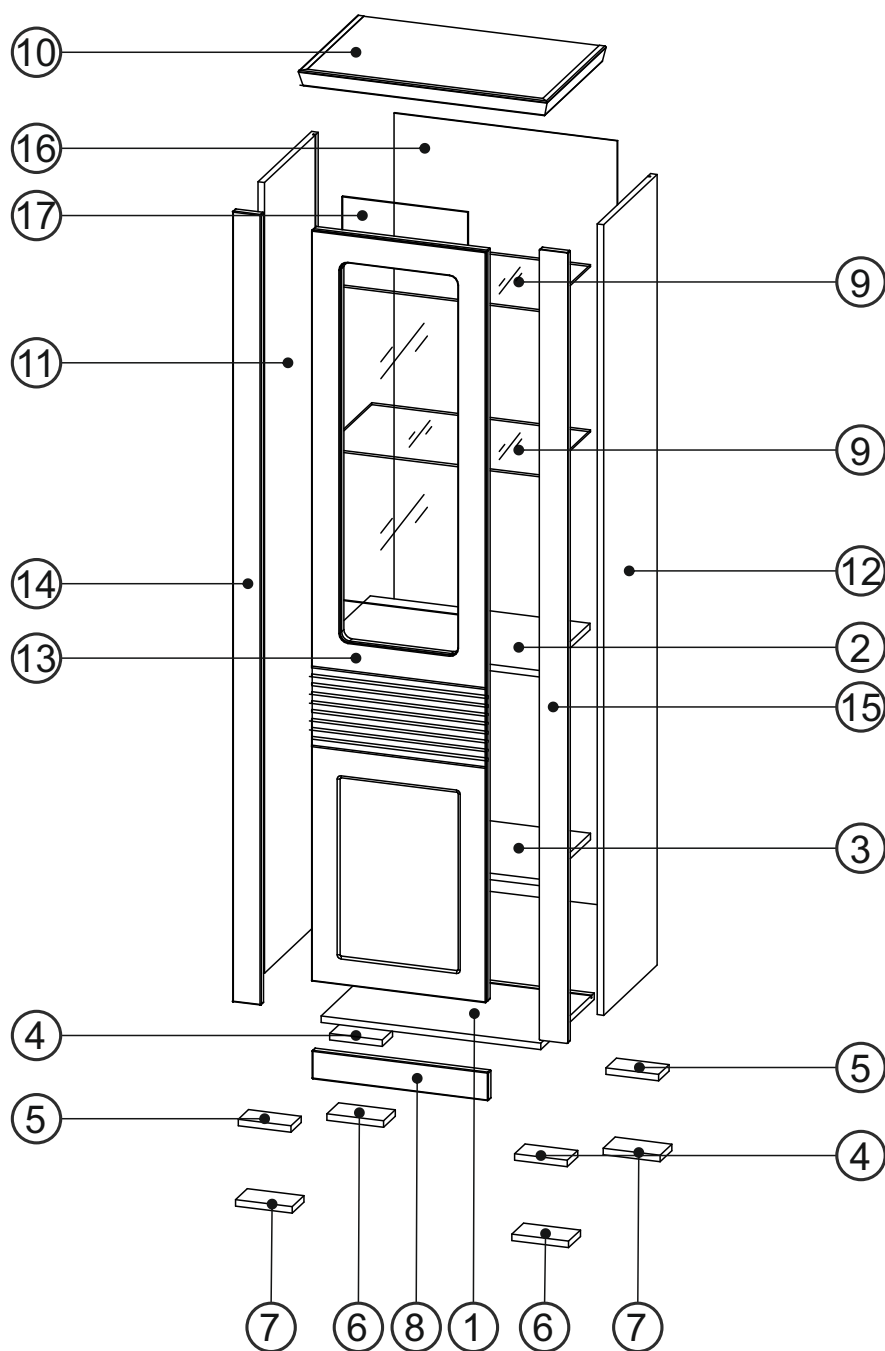


Agnes Tall cabinet 1D glass

①	542	362.5	16	x1	1/2
②	542	341	16	x1	1/2
③	541	333	16	x1	1/2
④	130	70	16	x2	1/2
⑤	130	70	16	x2	1/2
⑥	140	80	16	x2	1/2

⑦	140	80	16	x2	1/2
⑧	435	70	18	x1	1/2
⑨	539	322	5	x2	1/2
⑩	608	393	40	x1	1/2
⑪	1952	363	16	x1	2/2
⑫	1952	363	16	x1	2/2

⑬	1854	431	16	x1	2/2
⑭	1928	70	18	x1	2/2
⑮	1928	70	18	x1	2/2
⑯	1892	552	3	x1	2/2
⑰	997	311	4	x1	2/2
					1/2



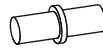
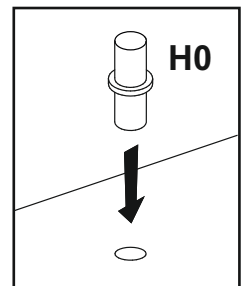
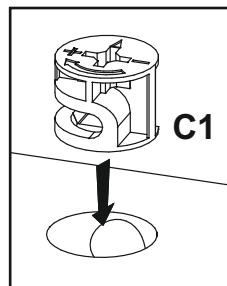
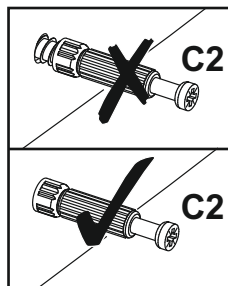
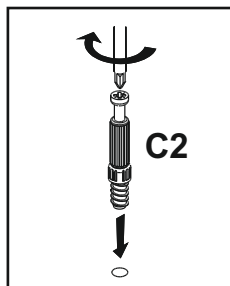
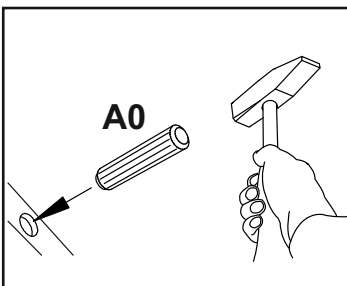
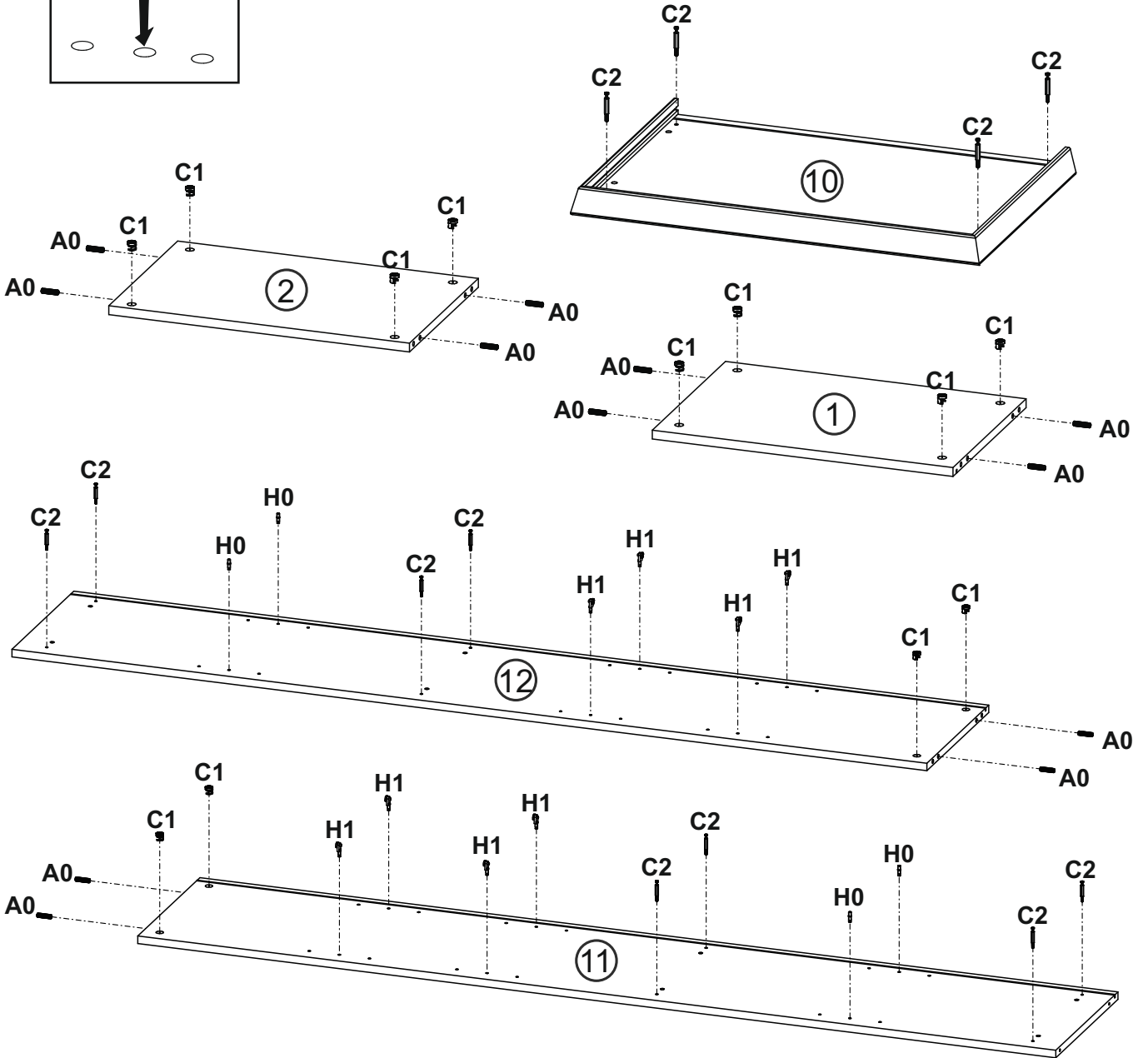
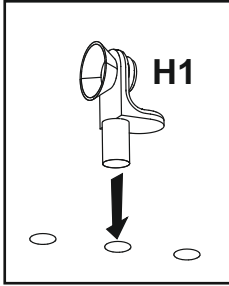
1

A0



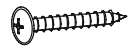

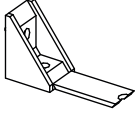
8 x 30mm

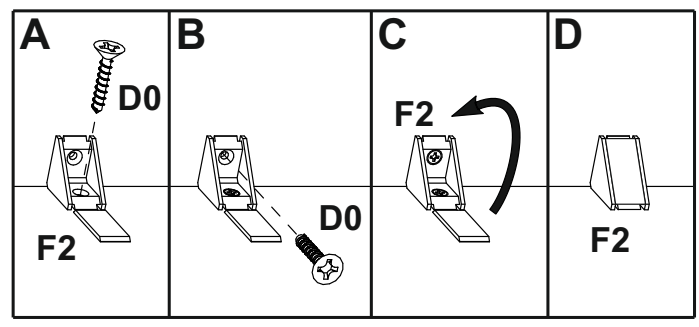
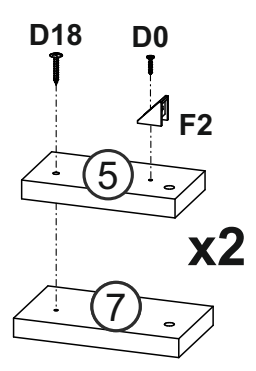
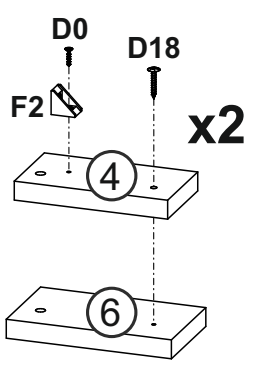
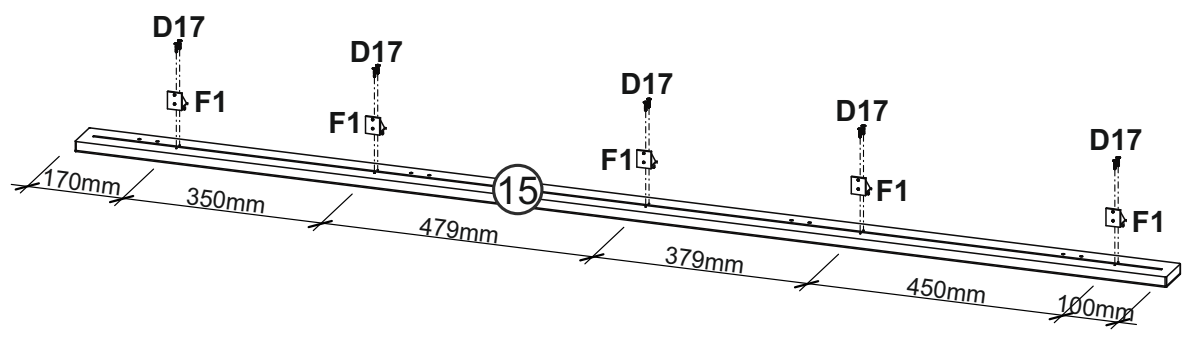
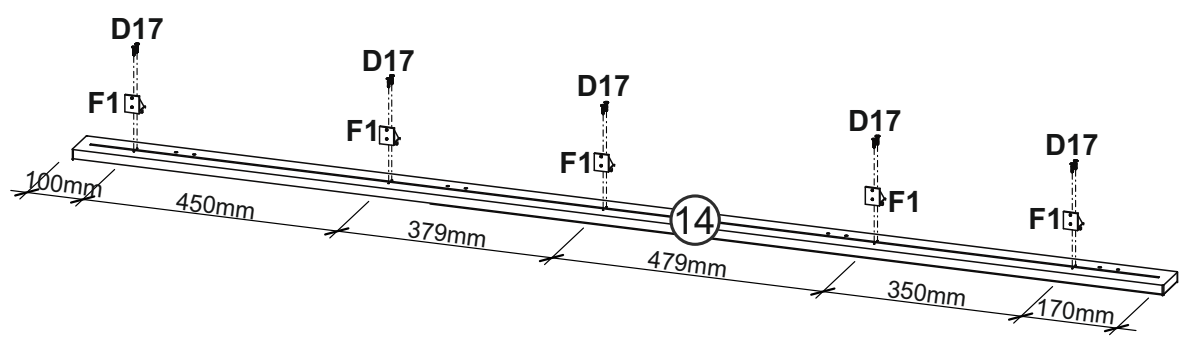
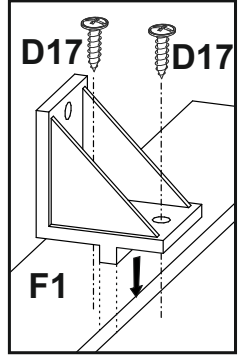
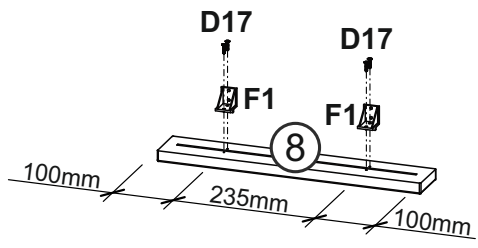
x12**C1**

16mm

x12**C2****x12****H0****x4****H1****x8**

2

D0 3 x 15 mm 	x4	D17 3,5 x 16 mm 	x24	D18 4.2 x 30 mm 	x4
F1 	x12	F2 	x4		



3

B2

7 x 70 mm

x4



D0

3 x 15 mm

x4

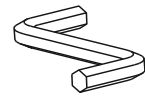


U2

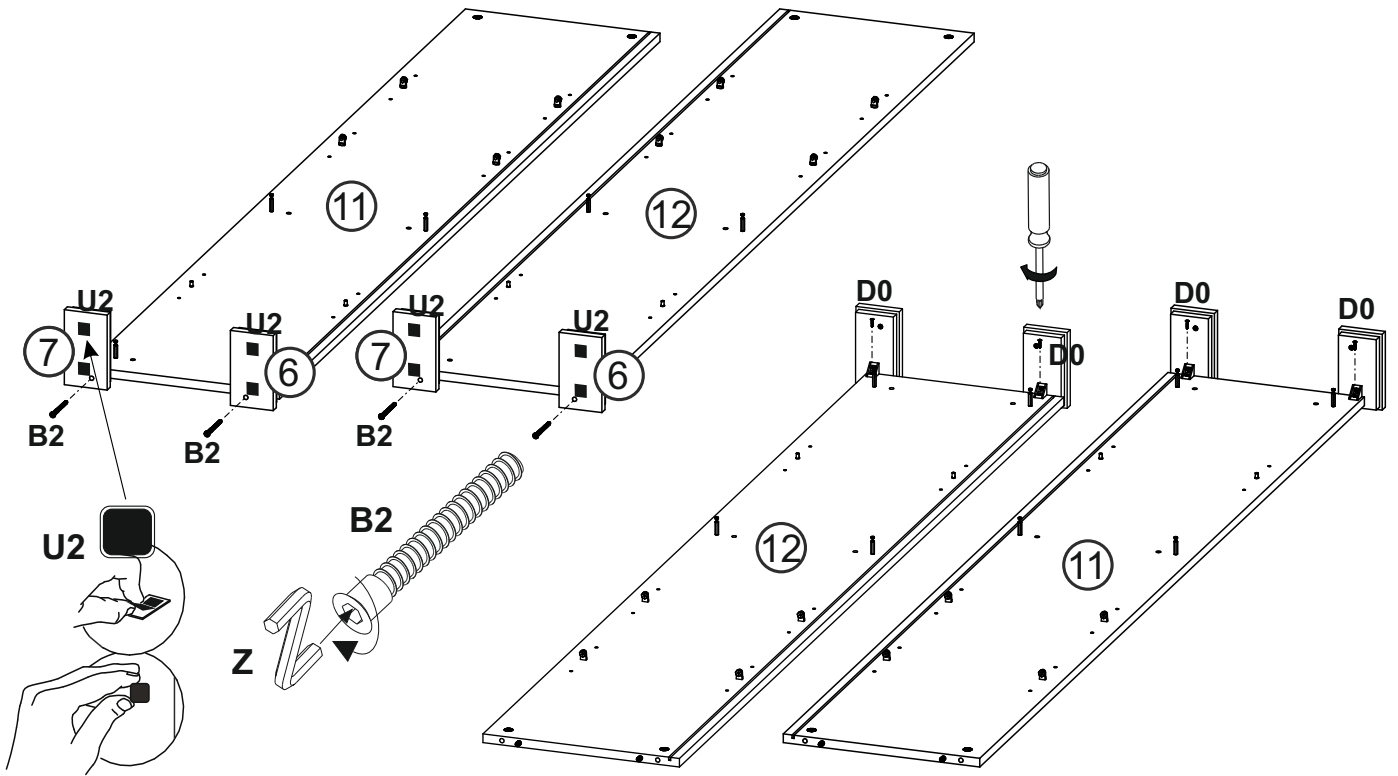


x8

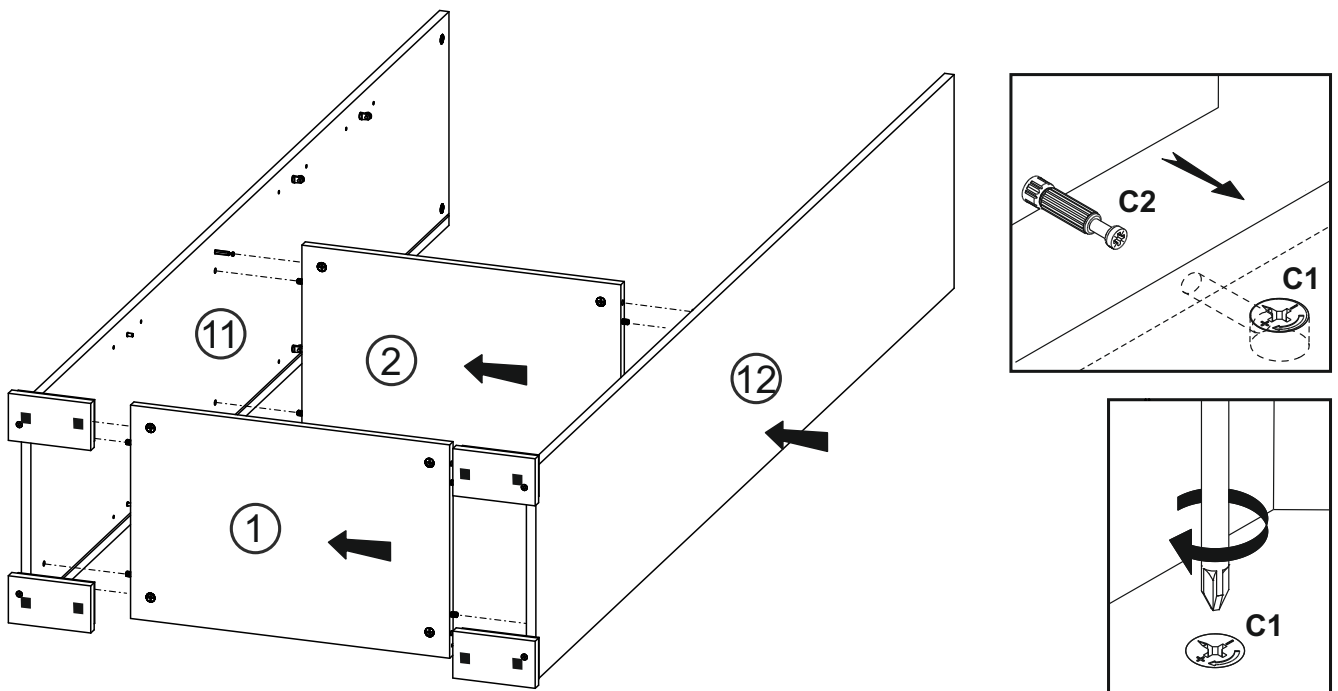
Z



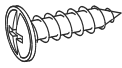
x1

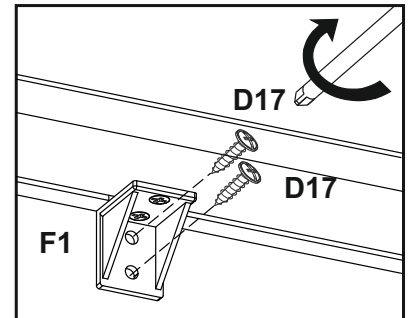
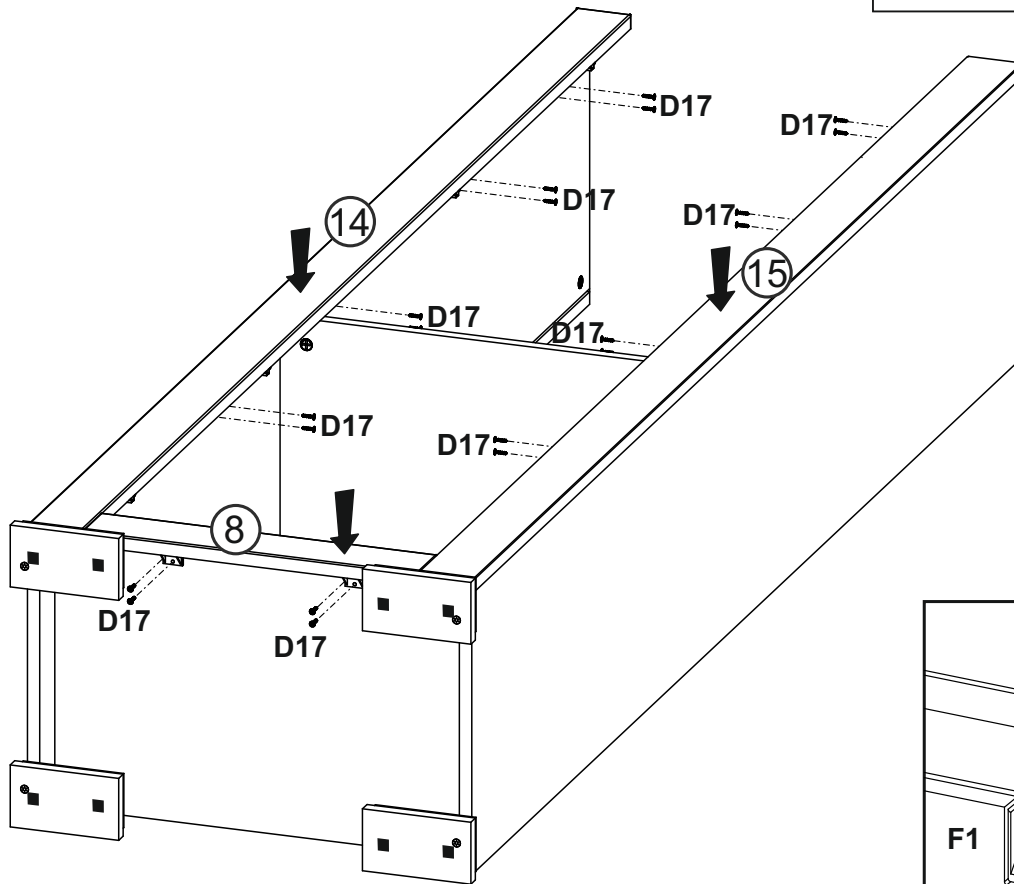


4

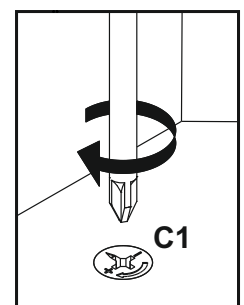
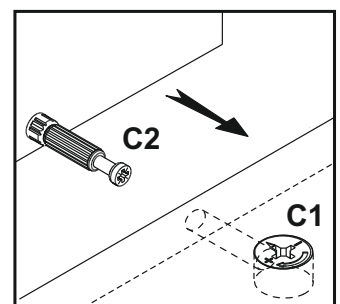
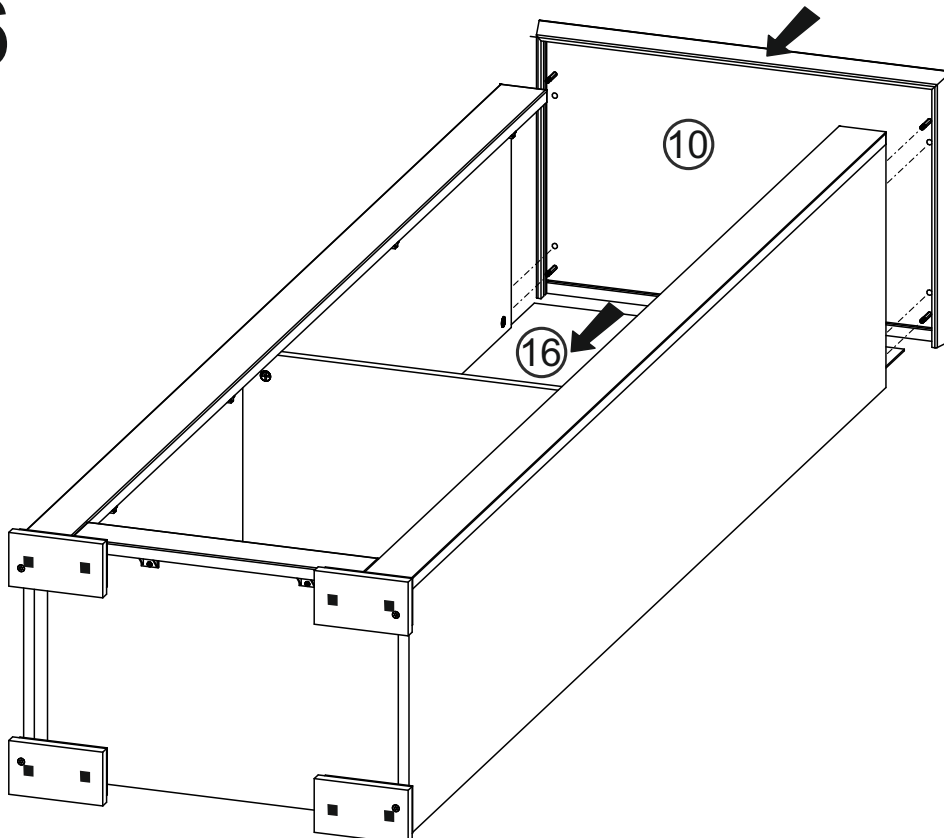


5

D17  **x24**
3,5 x 16 mm



6



7

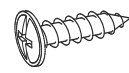
(D0)

3 x 15 mm

x14



(D17)



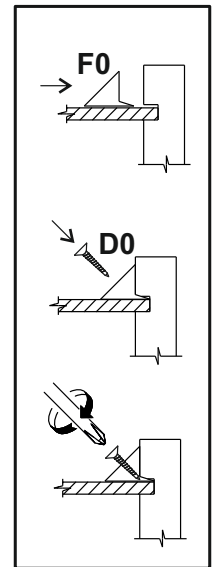
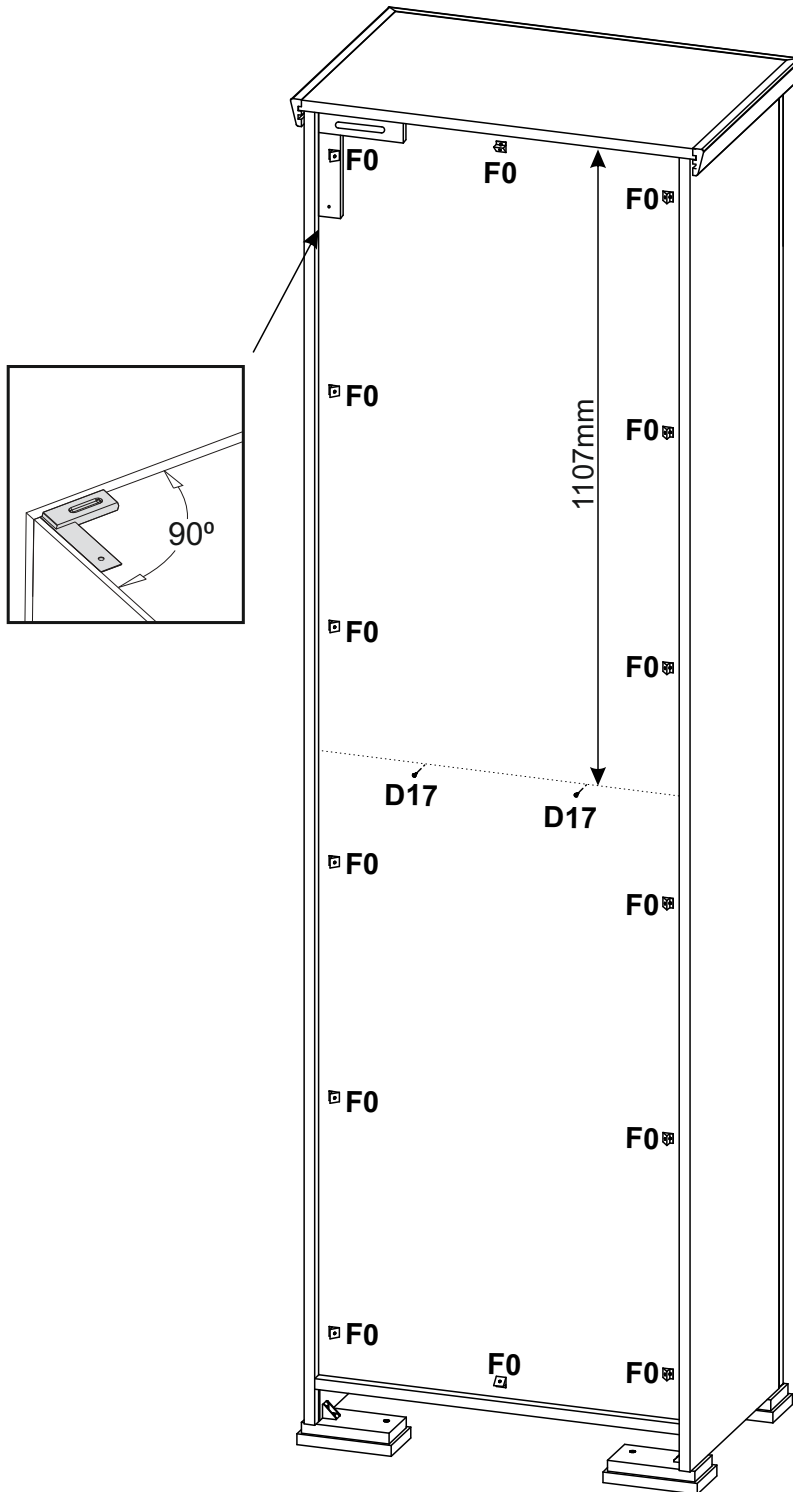
3,5 x 16 mm

x2

(F0)



x14



8

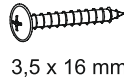
(C0)

x8



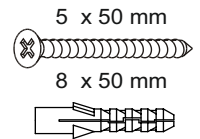
(D17)

x2



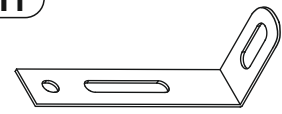
3,5 x 16 mm

(E4)

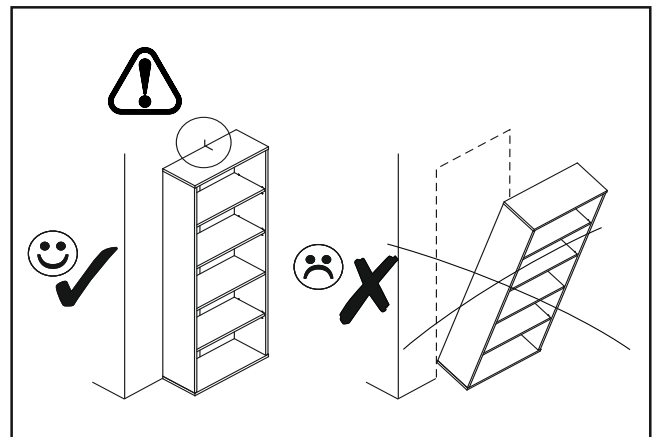
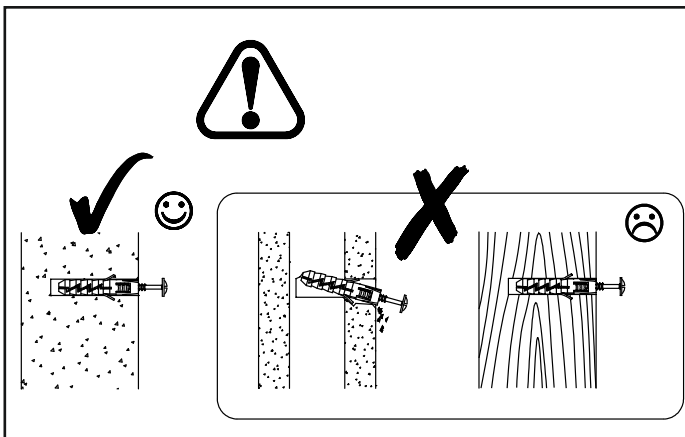
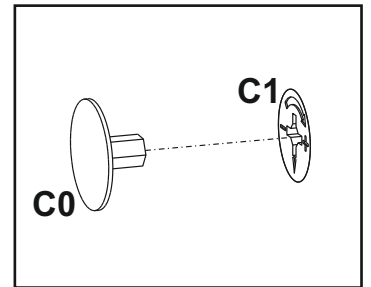
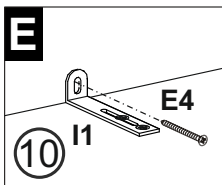
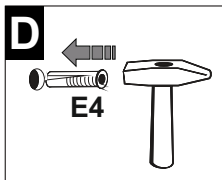
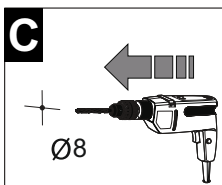
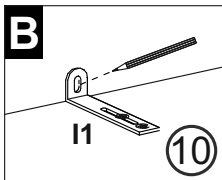
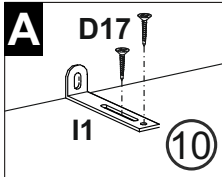
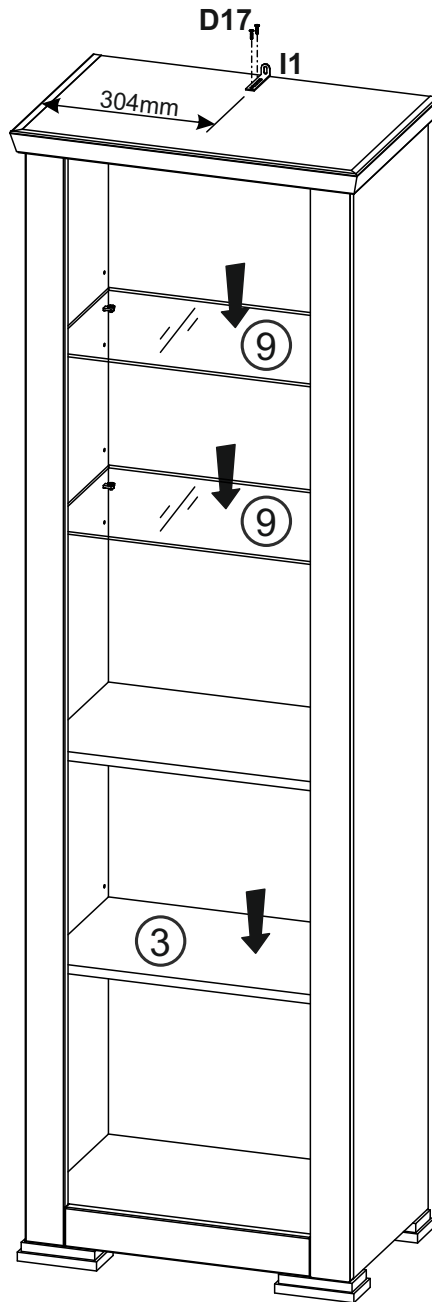


x1


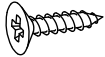
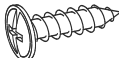
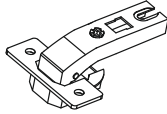
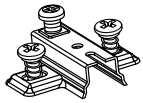
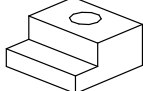
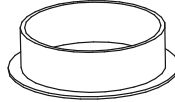

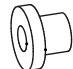
(I1)

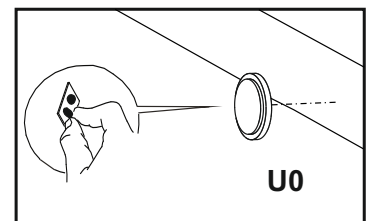
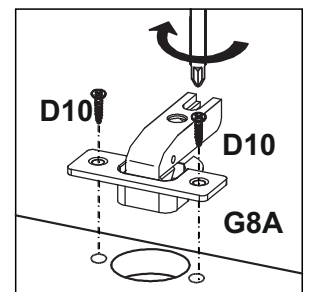
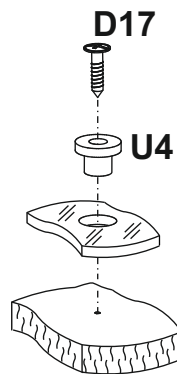
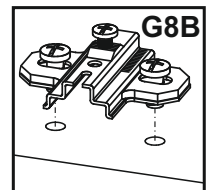
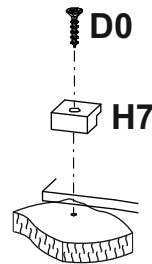
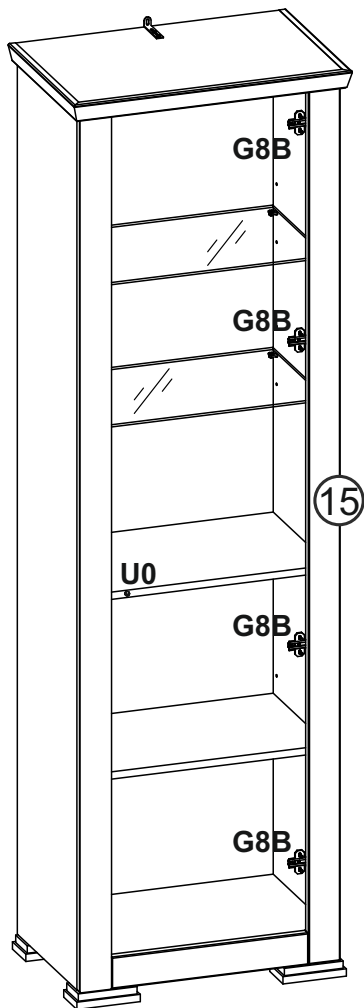
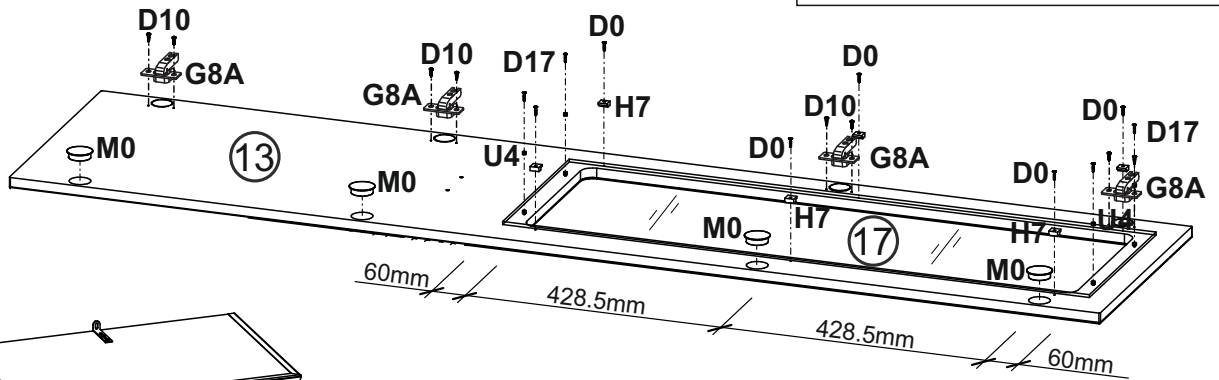


x1



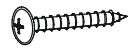
9R

	(D0) 3 x 15 mm 	x6	(D10) 4 x 16 mm 	x8	
(D17)  3,5 x 16 mm	x4	(G8A) 	x4	(G8B) 	x4
(H7) 	x6	(M0) 	x4	(U0) 	x1
			(U4) 	x4	



10R

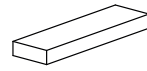
D18



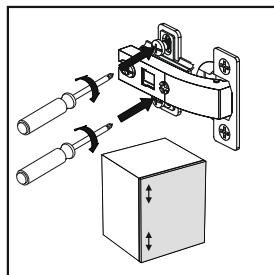
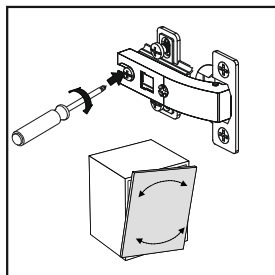
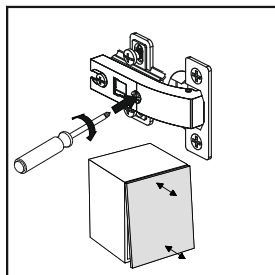
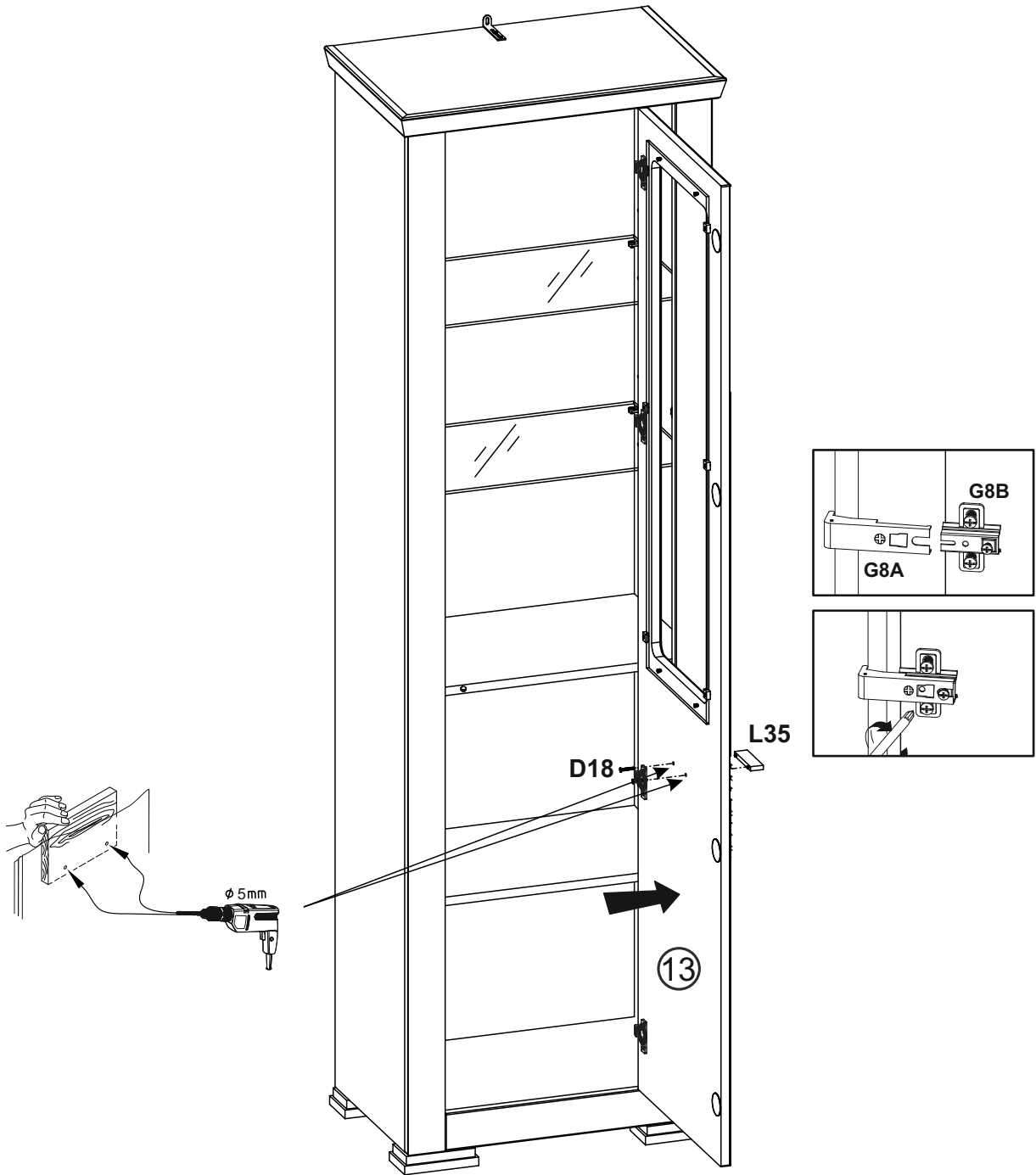
4.2 x 30 mm

x2


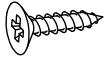
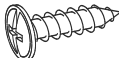
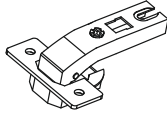
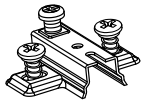
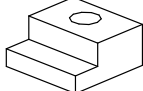
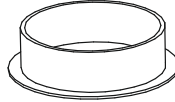

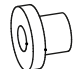
L35

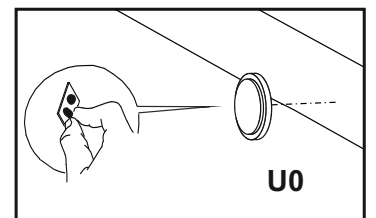
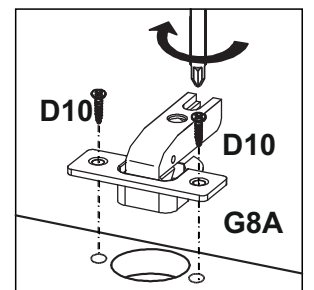
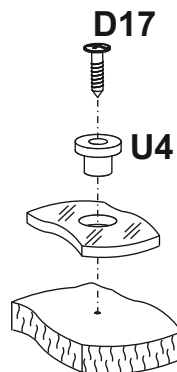
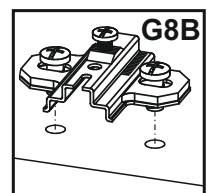
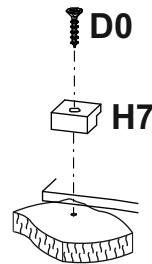
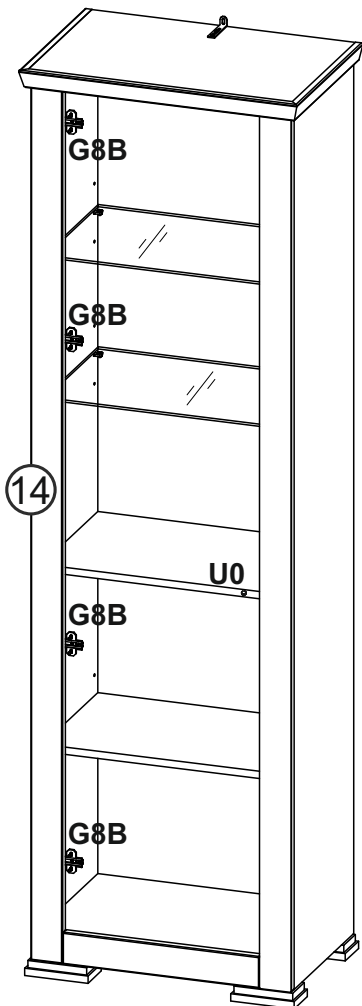
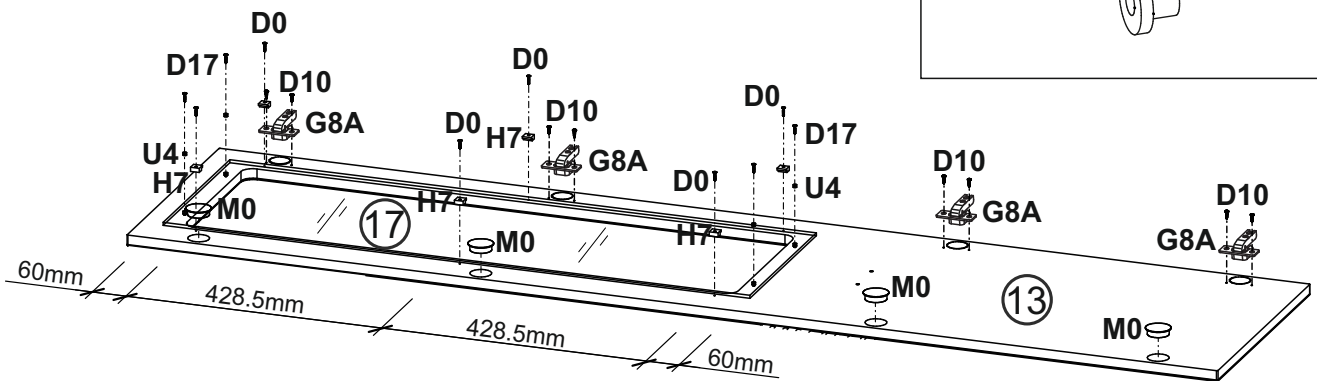


x1

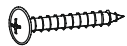


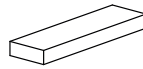
9L

	(D0) 3 x 15 mm  x6	(D10) 4 x 16 mm  x8
(D17)  3,5 x 16 mm x4	(G8A)  x4	(G8B)  x4
(H7)  x6	(M0)  x4	(U0)  x1
		(U4)  x4



10L

D18  **x2**
4.2 x 30 mm

L35  **x1**

