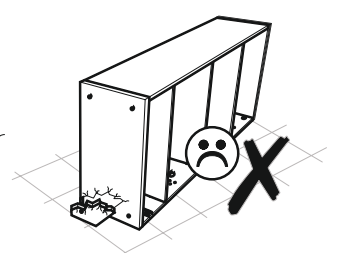
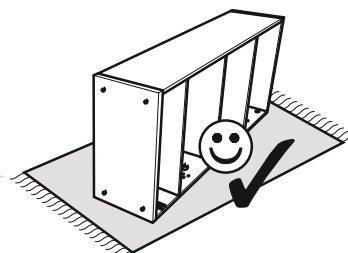
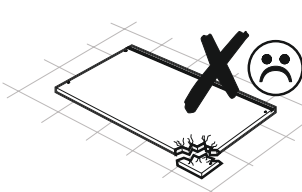
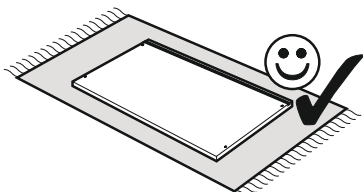
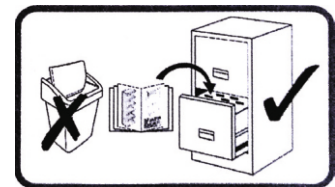
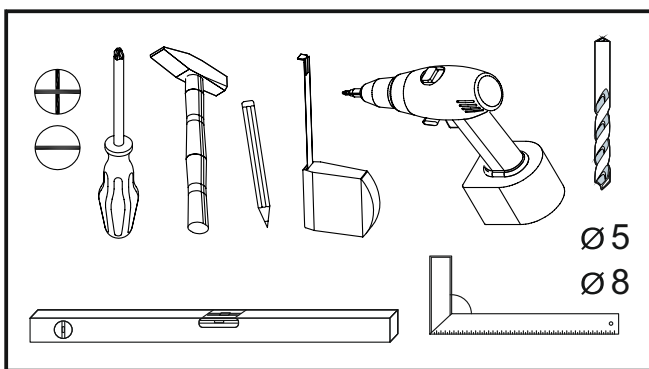
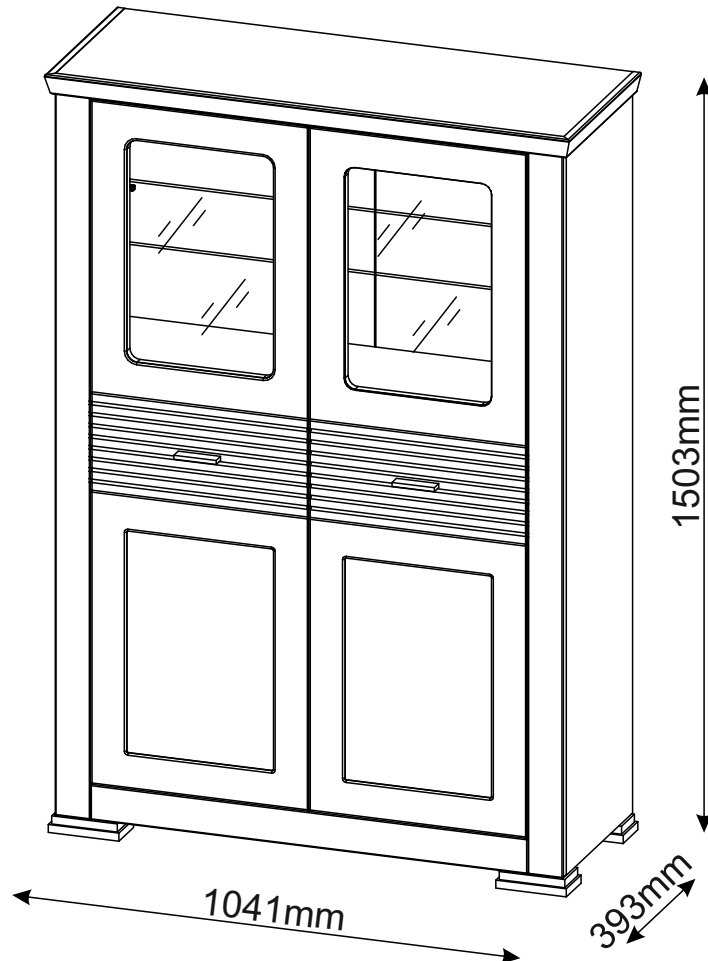
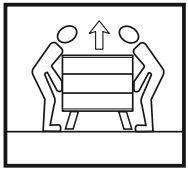
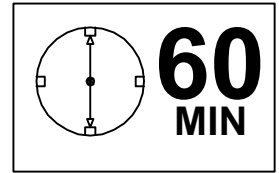
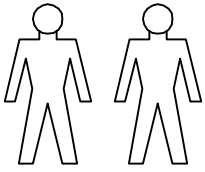

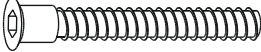
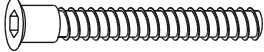
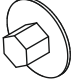

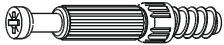

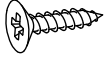
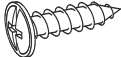
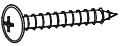
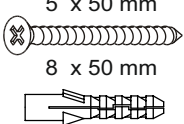


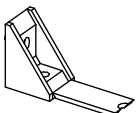
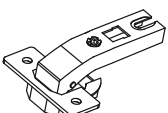
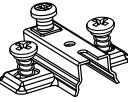


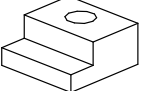
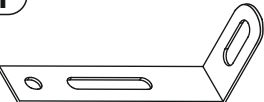
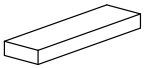
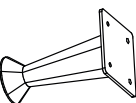




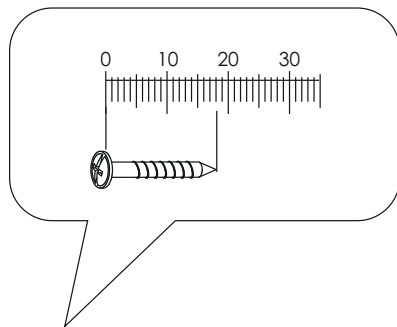


# Agnes Tall cabinet M2D glass



# Agnes Tall cabinet M2D glass


<b>A0</b> 8 x 30mm <b>x14</b> 	<b>B1</b> 6.4 x 50 mm <b>x2</b> 	<b>B2</b> 7 x 70 mm <b>x4</b> 
<b>C0</b>  <b>x10</b>	<b>C1</b> 16mm  <b>x14</b>	<b>C2</b>  <b>x14</b>
<b>D0</b> 3 x 15 mm  <b>x40</b>	<b>D10</b> 4 x 16 mm  <b>x12</b>	<b>D17</b>  3,5 x 16 mm <b>x56</b>
<b>D18</b>  4.2 x 30 mm <b>x8</b>	<b>E4</b> 5 x 50 mm 8 x 50 mm  <b>x2</b>	<b>F0</b>  <b>x20</b>
<b>F1</b>  <b>x10</b>	<b>F2</b>  <b>x4</b>	<b>G8A</b>  <b>x6</b>
<b>G8B</b>  <b>x6</b>	<b>H0</b>  <b>x8</b>	<b>H1</b>  <b>x4</b>
<b>H7</b>  <b>x8</b>	<b>I1</b>  <b>x2</b>	<b>L35</b>  <b>x2</b>
<b>T8</b>  <b>x1</b>	<b>U0</b>  <b>x2</b>	<b>U2</b>  <b>x8</b>
	<b>U4</b>  <b>x8</b>	<b>Z</b> 4mm  <b>x1</b>

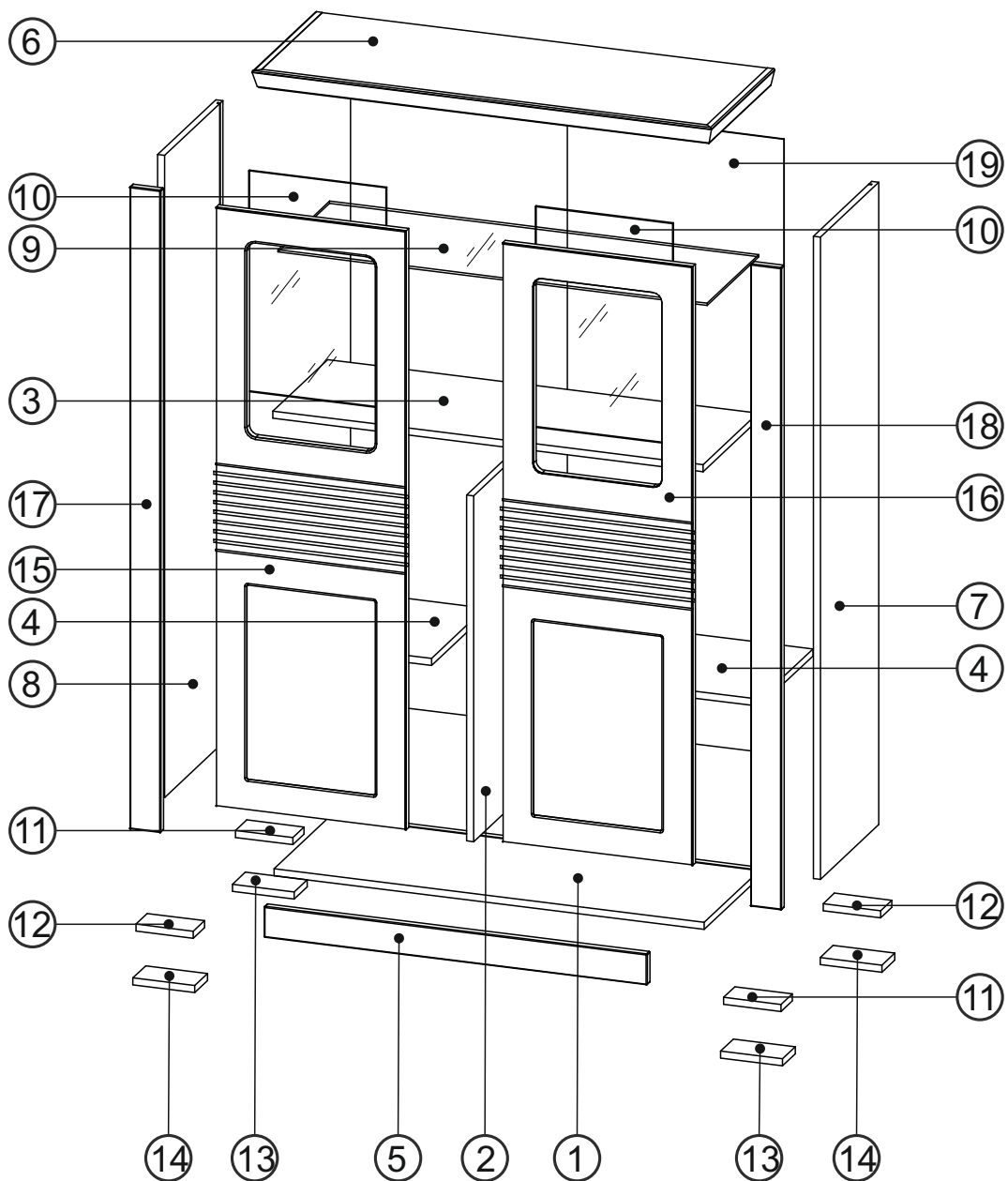


# Agnes Tall cabinet M2D glass






①	975	362.5	16	x1	1/3
②	783.5	340	16	x1	1/3
③	975	341	16	x1	1/3
④	479	333	16	x2	1/3
⑤	868	70	18	x1	1/3
⑥	1041	393	40	x1	1/3
⑦	1455	363	16	x1	2/3

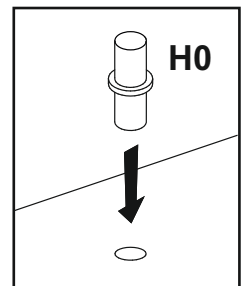
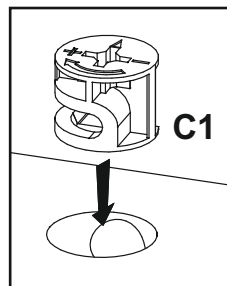
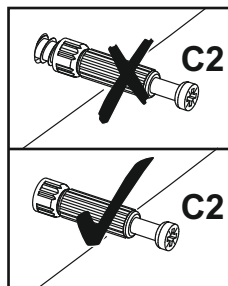
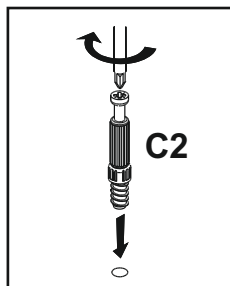
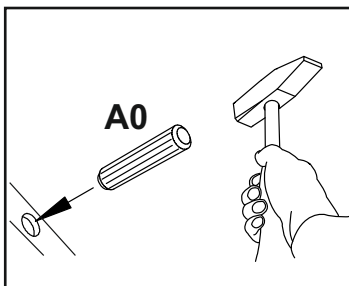
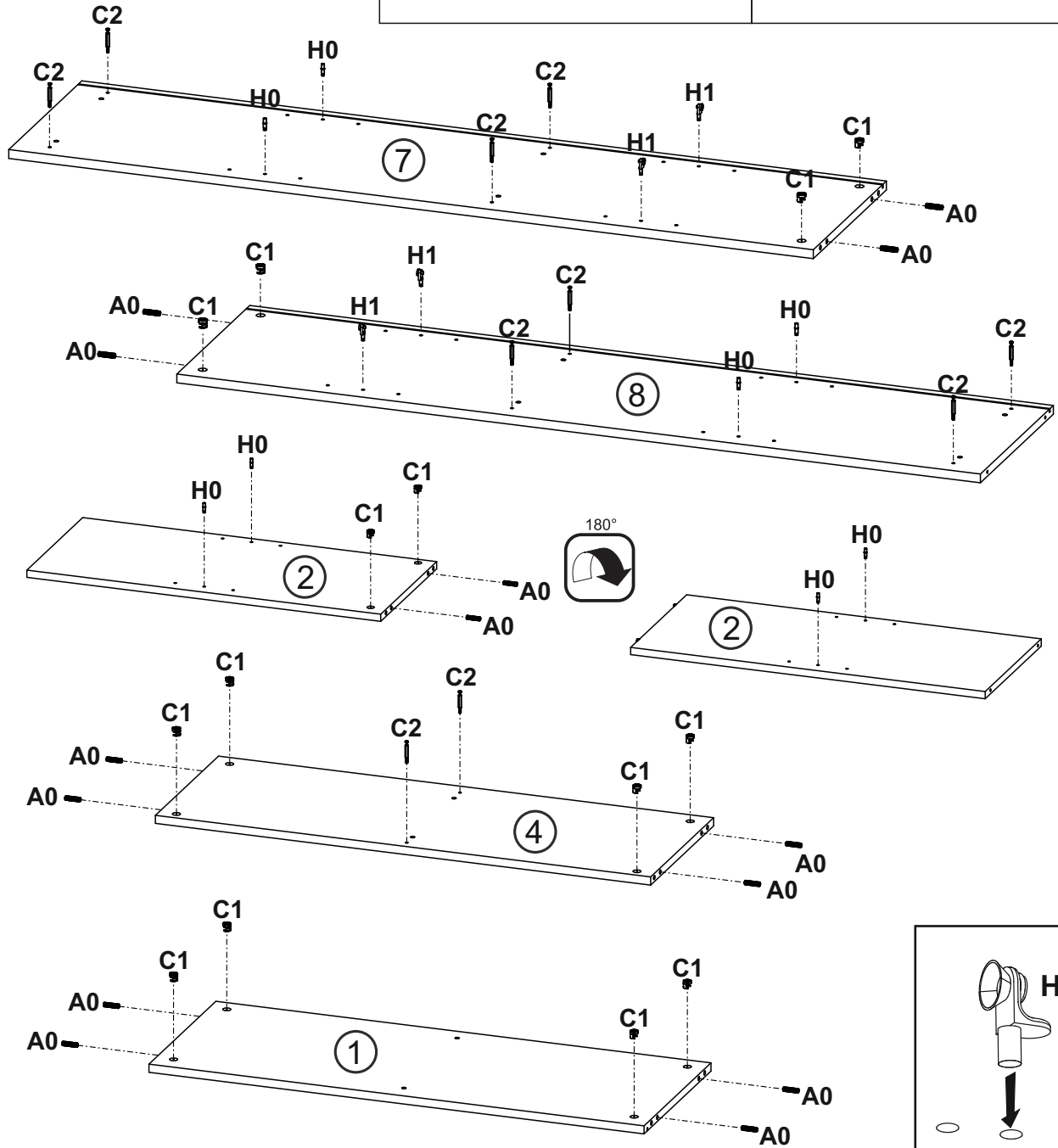
⑧	1455	363	16	x1	2/3
⑨	973	322	6	x1	2/3
⑩	500	311	6	x2	2/3
⑪	130	70	16	x2	3/3
⑫	130	70	16	x2	3/3
⑬	140	80	16	x2	3/3
⑭	140	80	16	x2	3/3

⑮	1357	431	16	x1	3/3
⑯	1357	431	16	x1	3/3
⑰	1431	70	18	x1	3/3
⑱	1431	70	18	x1	3/3
⑲	1395	984	3	x1	3/3
					1/3


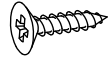
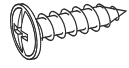

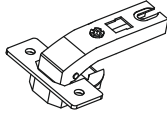
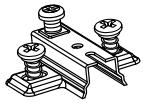
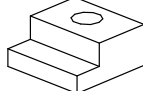
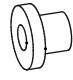


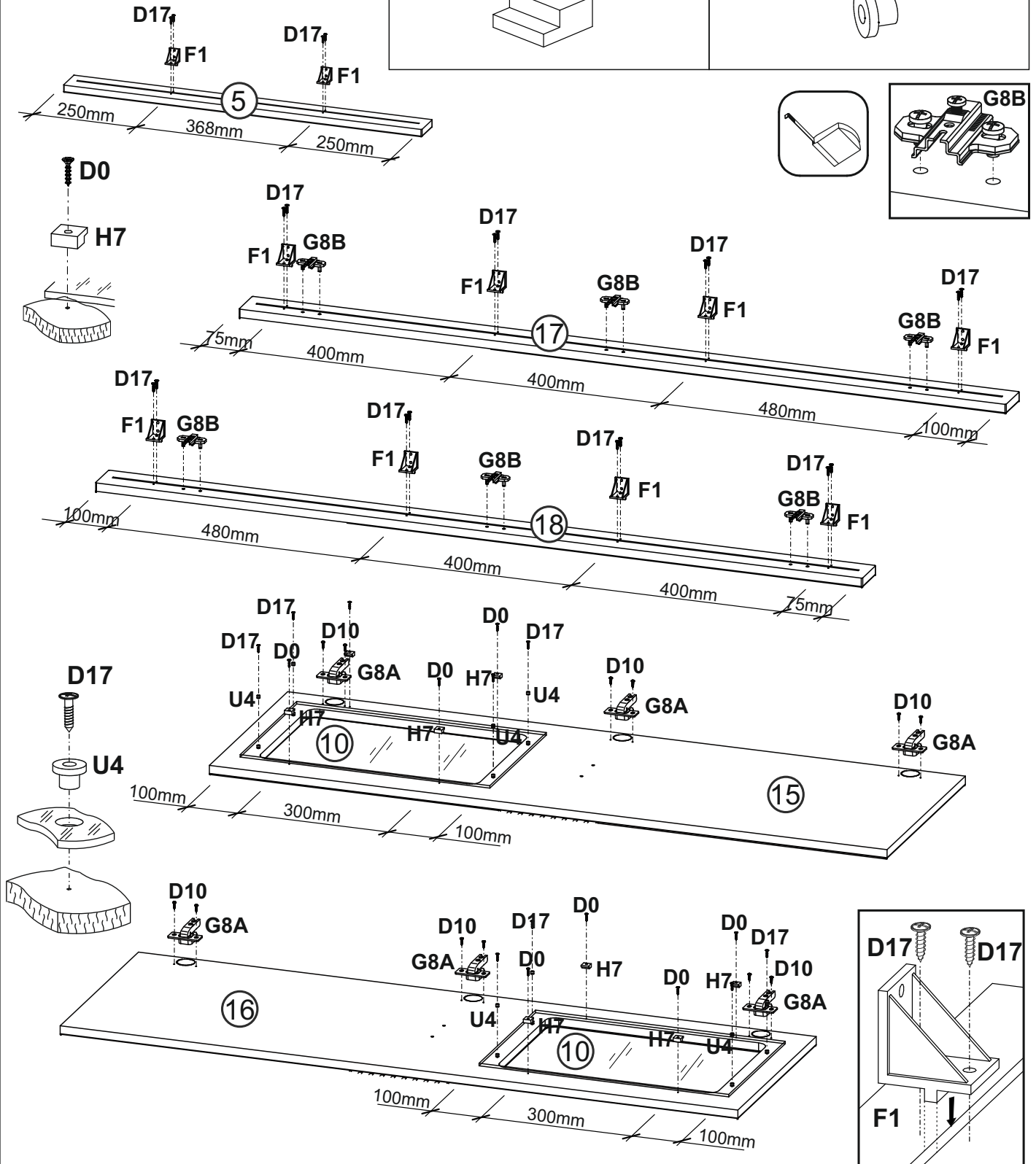
# 1

<b>A0</b> 8 x 30mm <b>x14</b> 	<b>C1</b> 16mm <b>x14</b> 	<b>C2</b> <b>x10</b> 
<b>H0</b> <b>x8</b> 	<b>H1</b> <b>x4</b> 	



# 2

<b>D0</b> 3 x 15 mm 	<b>x8</b>	<b>D10</b> 4 x 16 mm 	<b>x12</b>	<b>D17</b> 3,5 x 16 mm 	<b>x28</b>
<b>F1</b> 	<b>x10</b>	<b>G8A</b> 	<b>x6</b>	<b>G8B</b> 	<b>x6</b>
		<b>H7</b> 	<b>x8</b>	<b>U4</b> 	<b>x8</b>



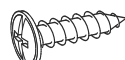
# 3

**C2**



**x4**

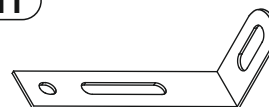
**D17**



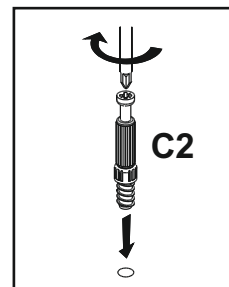
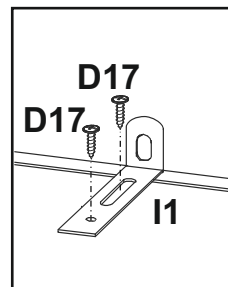
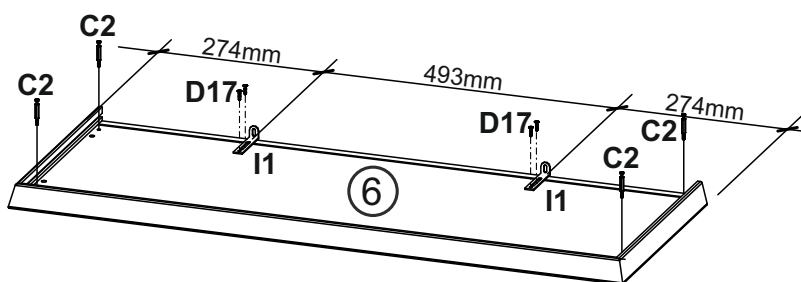
3,5 x 16 mm

**x4**

**I1**



**x2**



# 4

**B2**



7 x 70 mm

**x4**

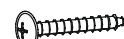
**D0**



3 x 15 mm

**x8**

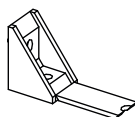
**D18**



4.2 x 30 mm

**x4**

**F2**



**x4**

**U2**



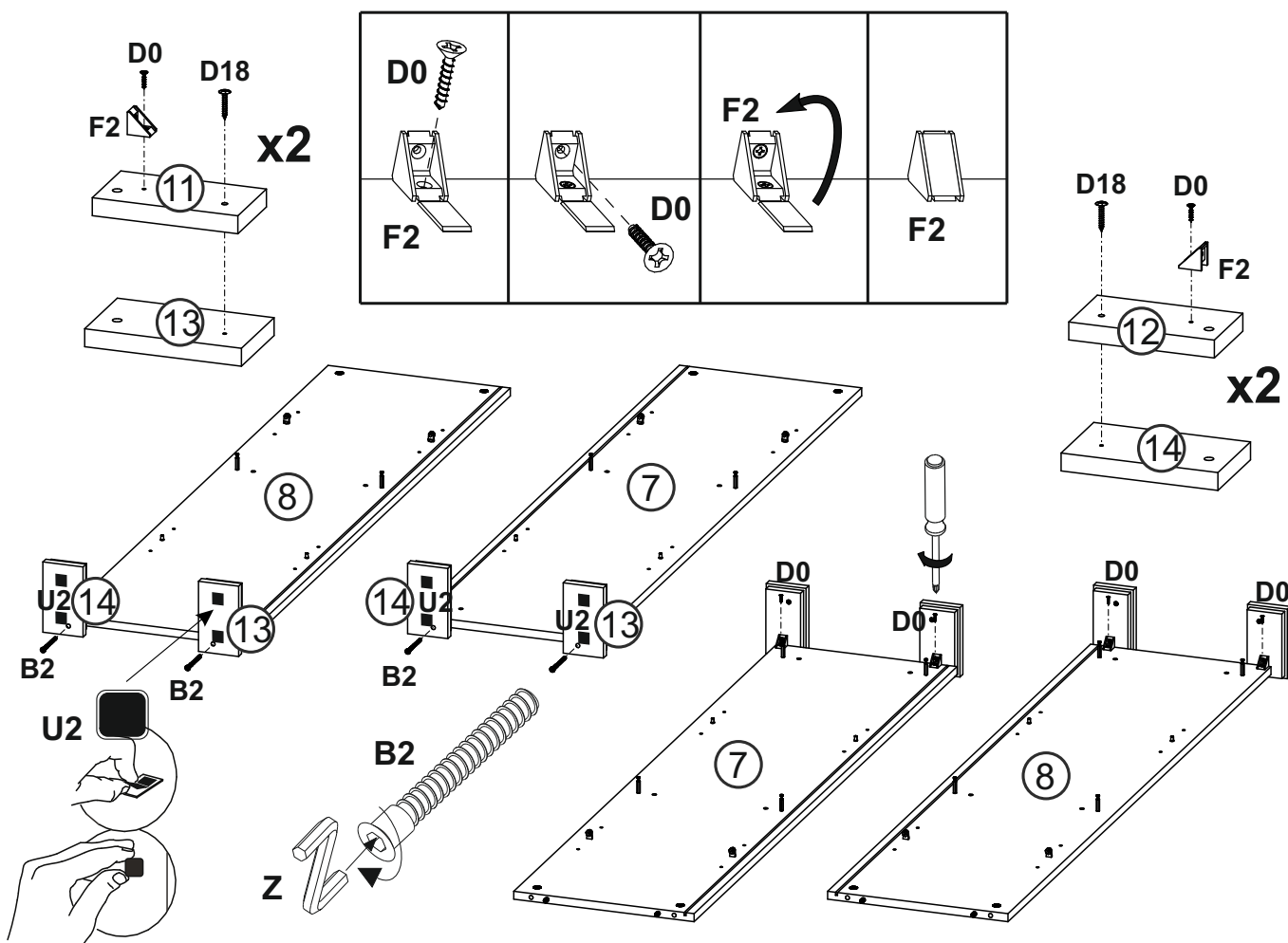
**x8**

**Z**


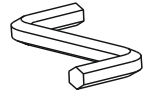


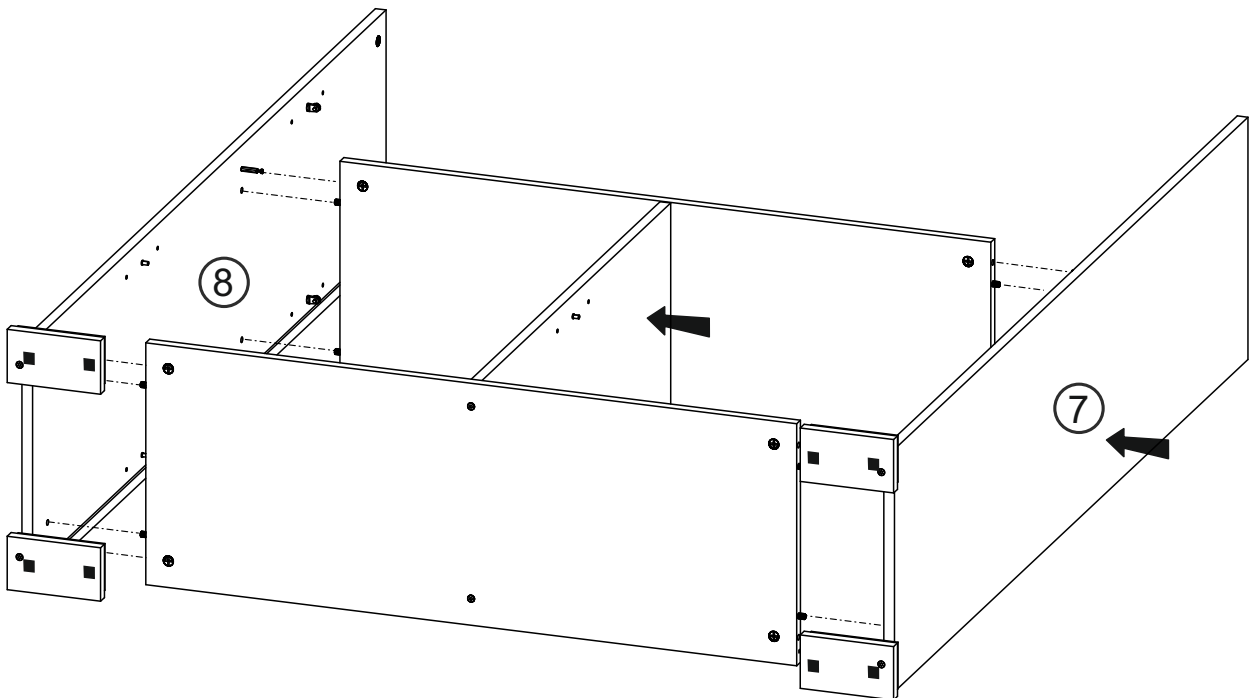
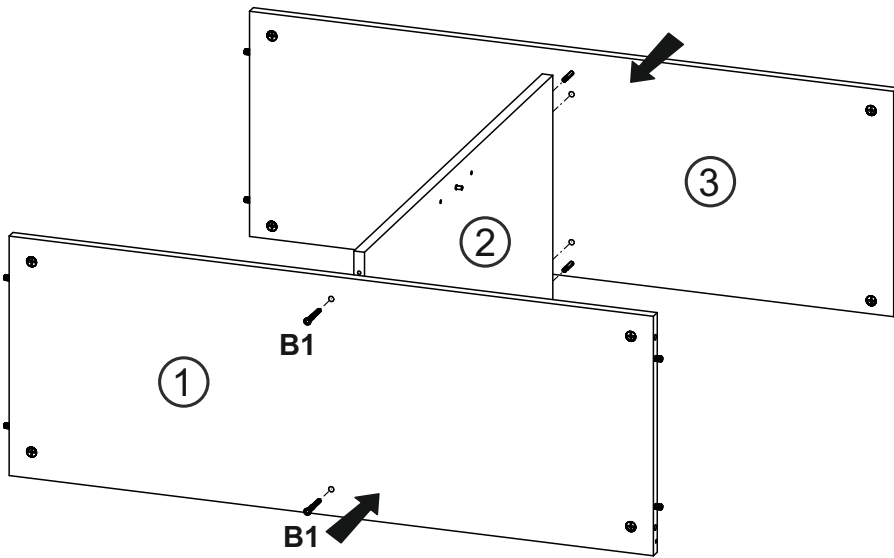
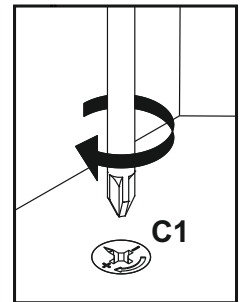
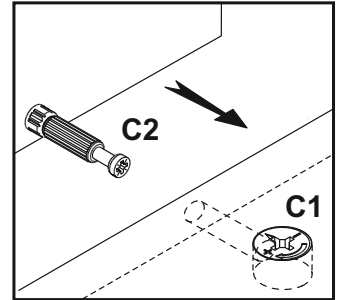
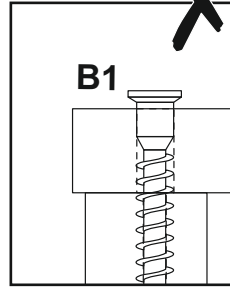
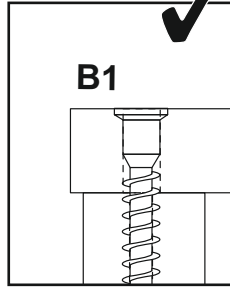
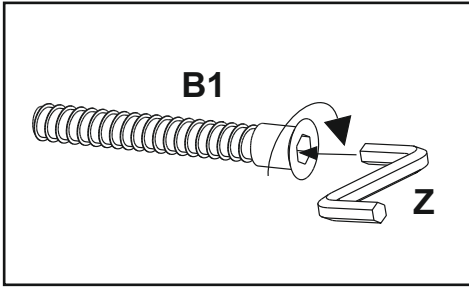
4mm

**x1**



# 5

<b>(B1)</b> 6.4 x 50 mm 	<b>x2</b>	<b>(Z)</b> 4mm 	<b>x1</b>
---	-----------	--	-----------



# 6

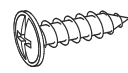
**(D0)**

3 x 15 mm

**x4**



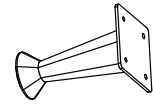
**(D17)**



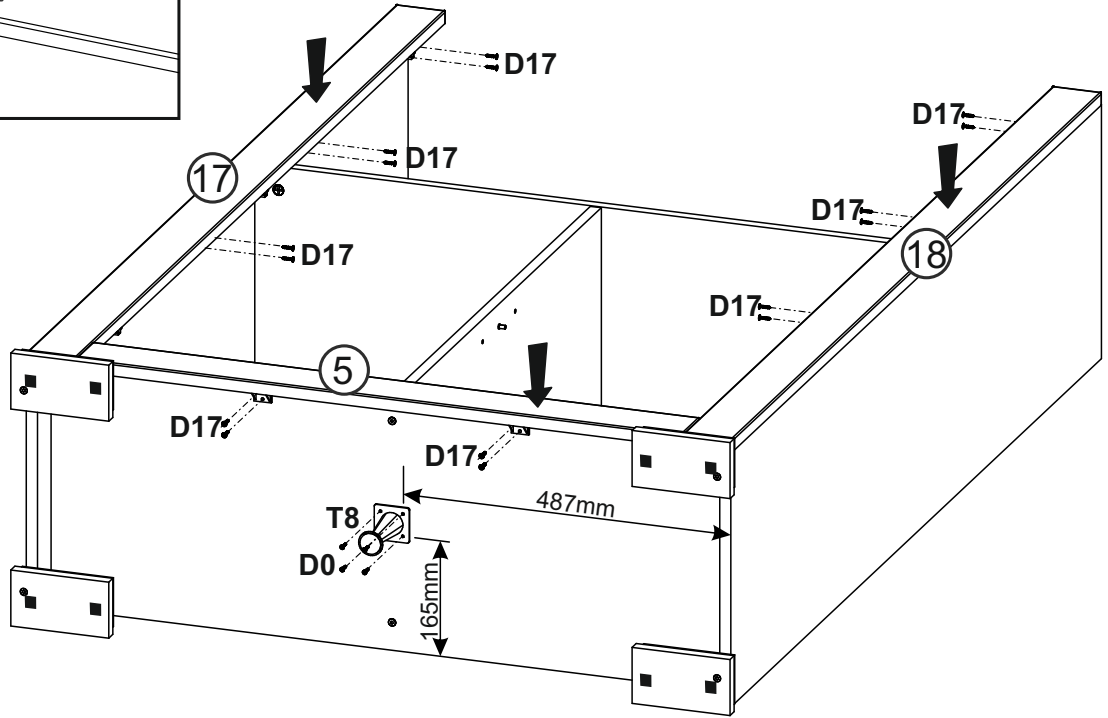
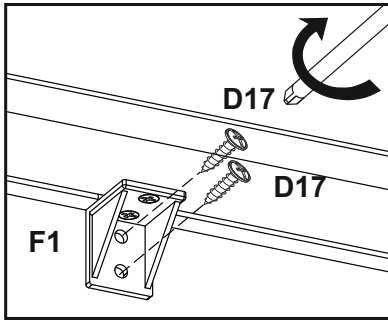
3,5 x 16 mm

**x20**

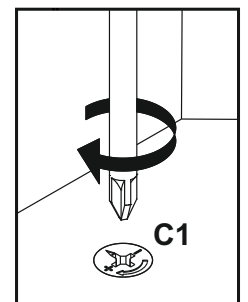
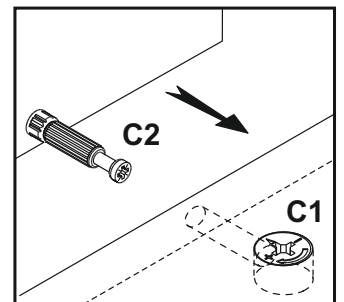
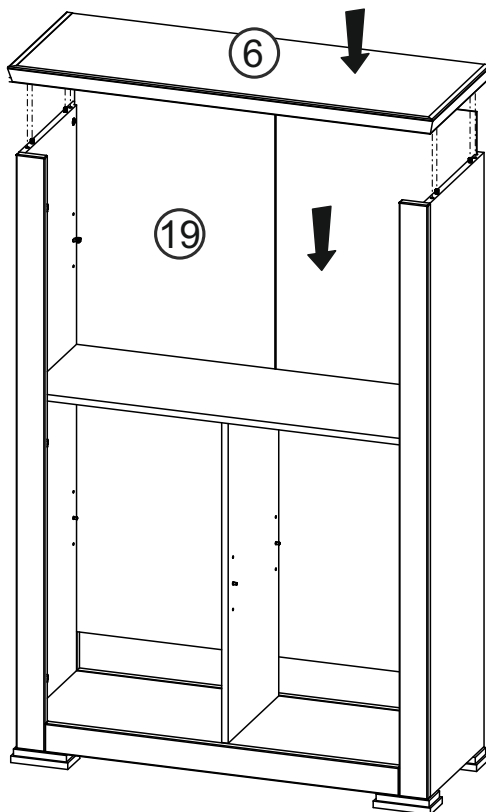
**(T8)**



**x1**



# 7





# 8

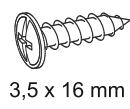
**D0**

3 x 15 mm

**x20**



**D17**

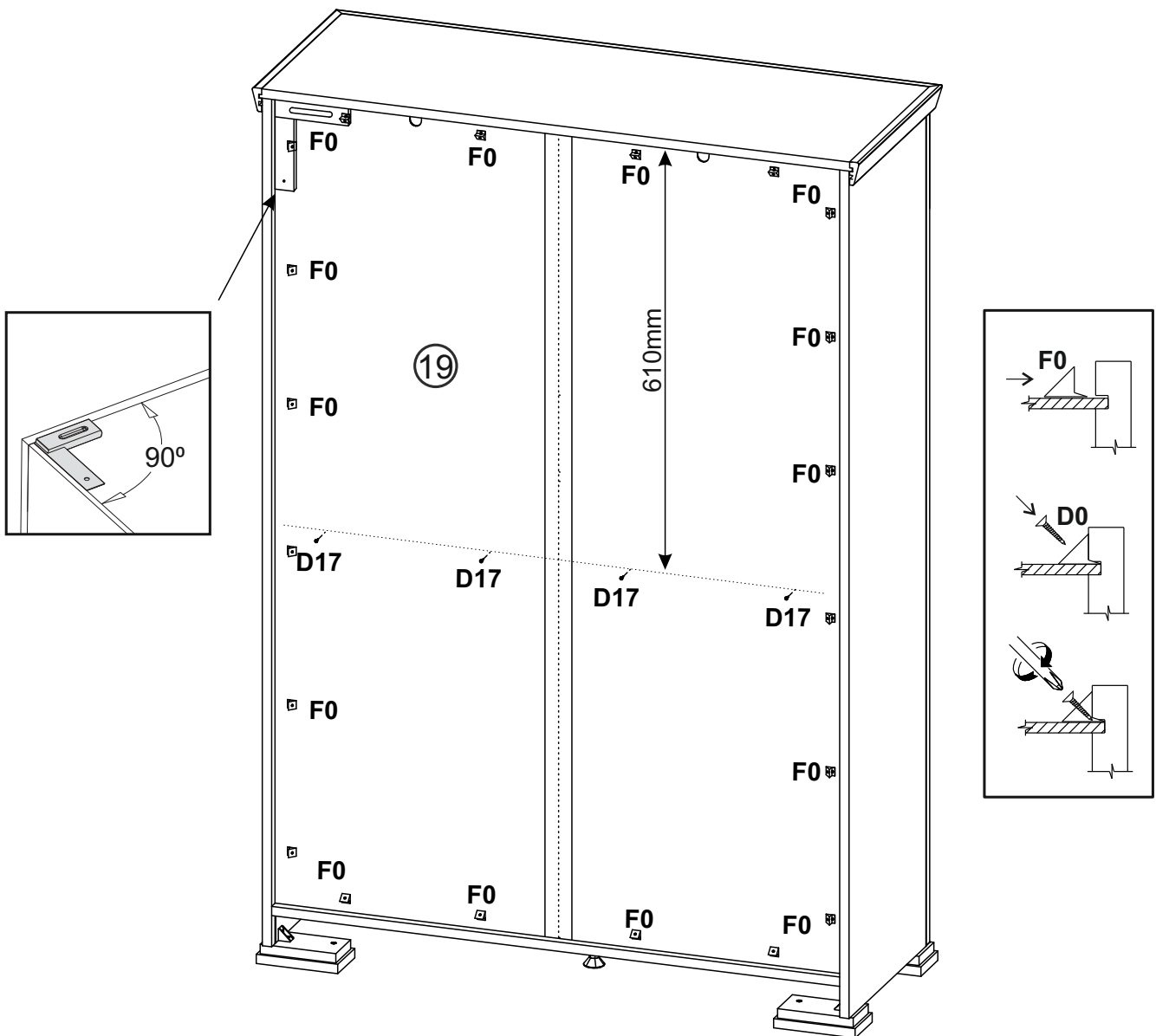


**x4**

**F0**

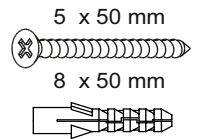


**x20**

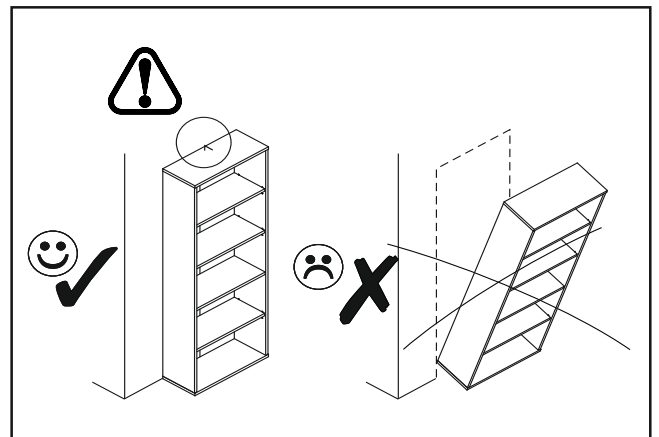
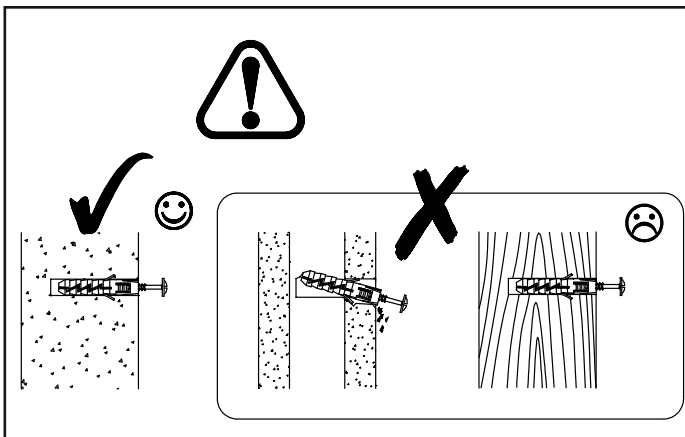
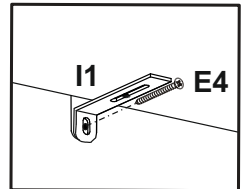
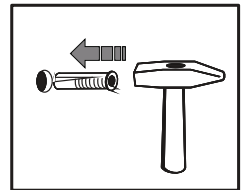
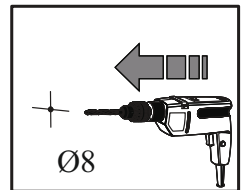
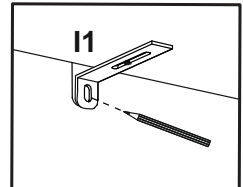
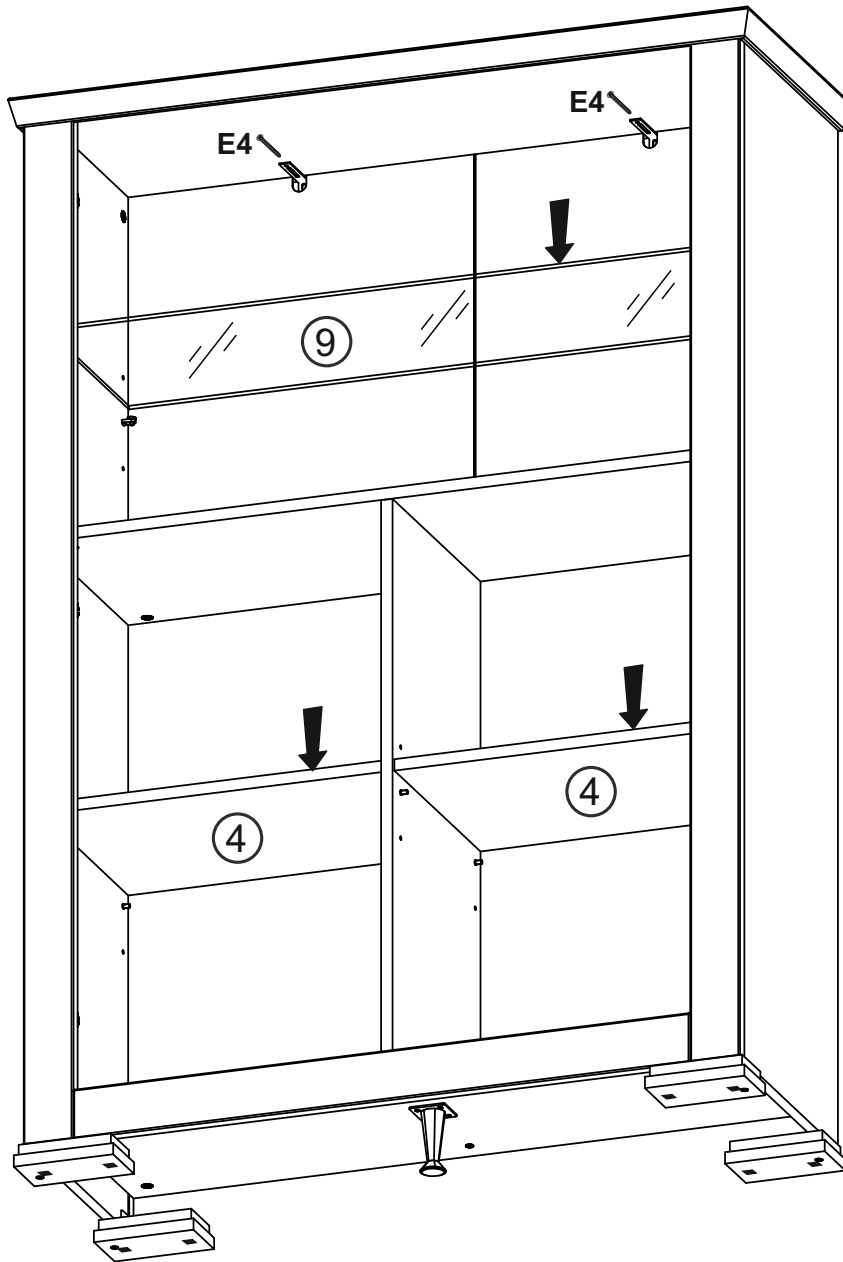


# 9

**E4**



**x2**



# 9

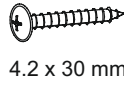
**C0**

**x10**



**D18**

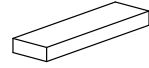
**x4**



4.2 x 30 mm

**L35**

**x2**



**U0**

**x2**

