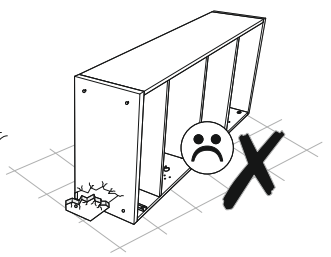
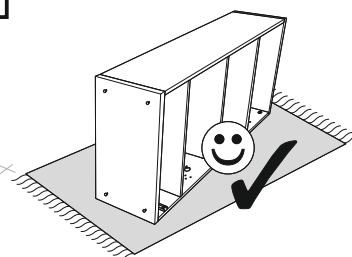
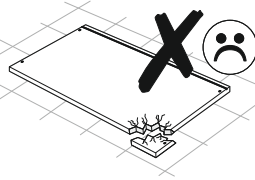
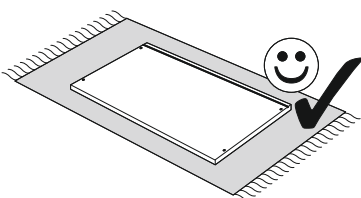
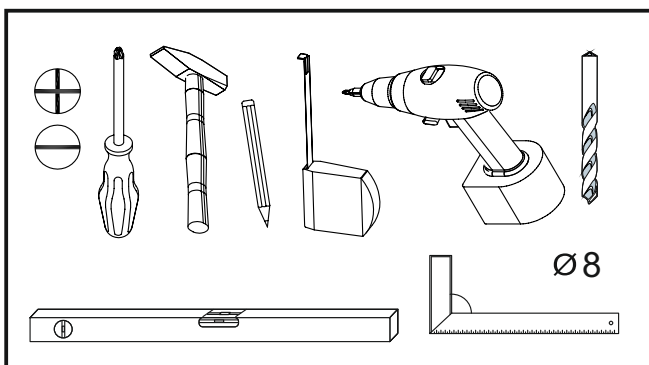
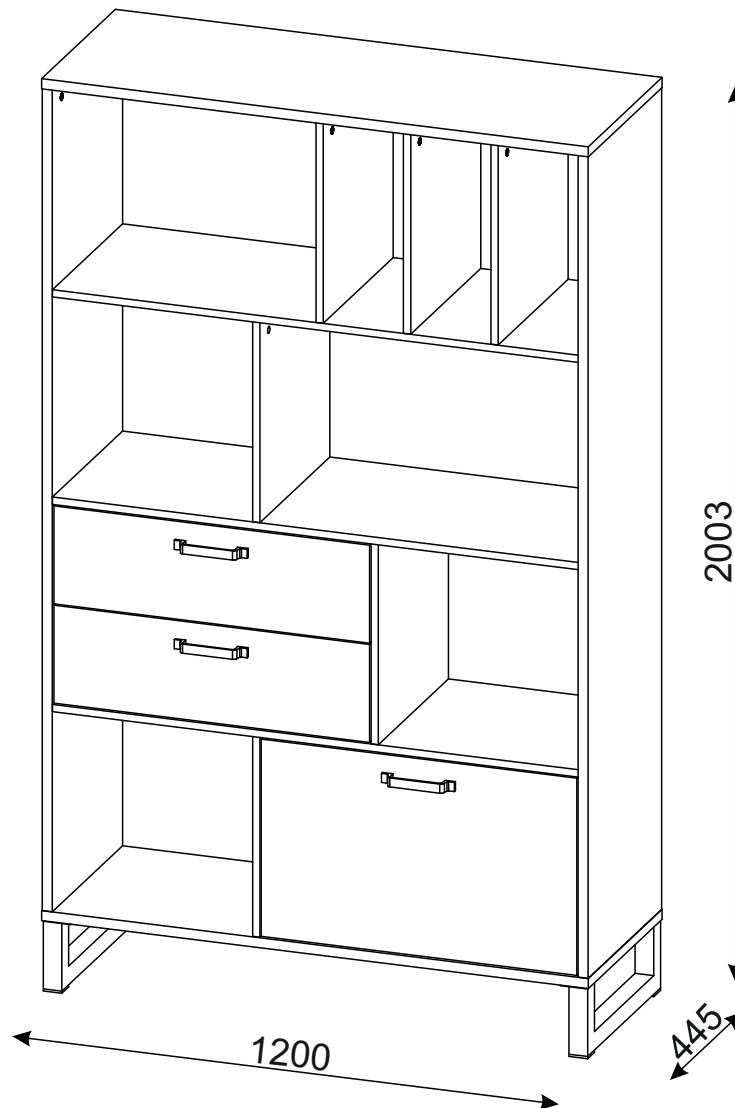
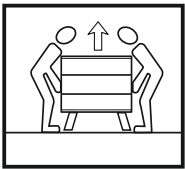
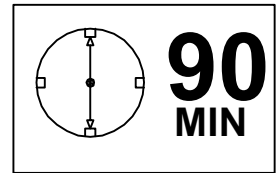
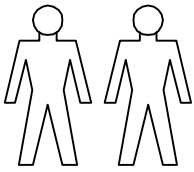










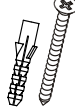





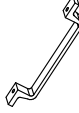



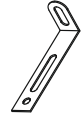


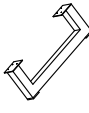
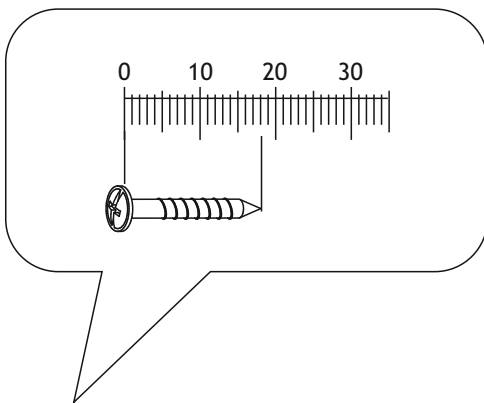


BARI Tall cabinet 1D/2Dr




BARI Tall cabinet 1D/2Dr

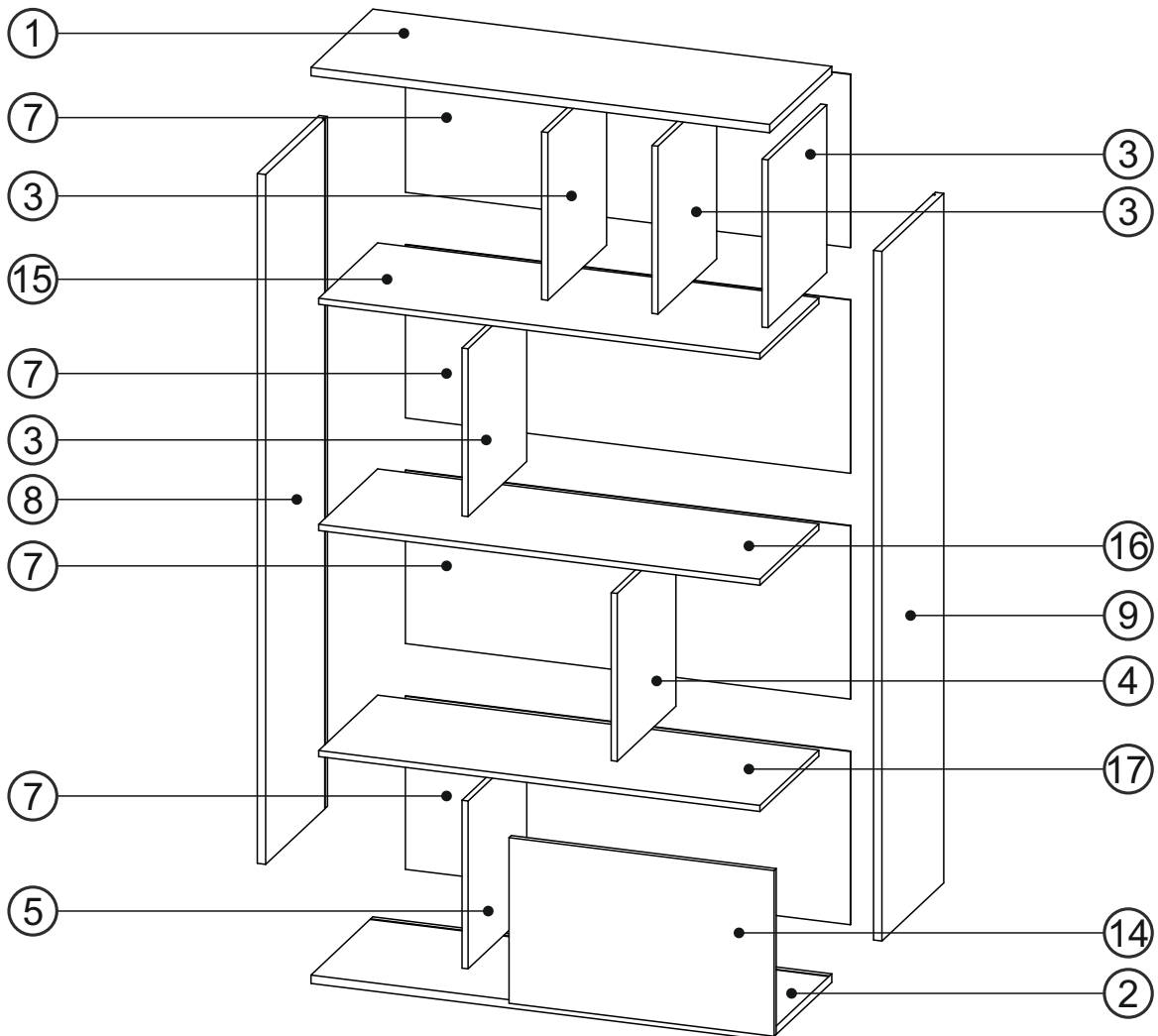
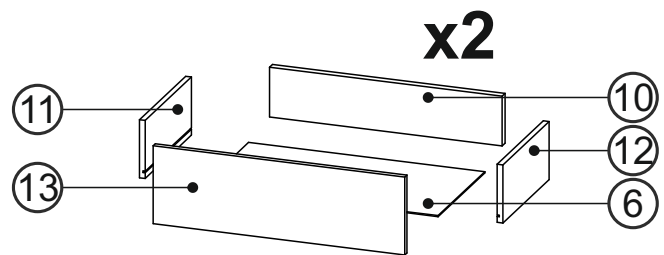
A0  ø8x30 x56	B0  ø 7mm x24	B1  ø7x50 x18	B2  ø7x70 x6	C0  ø16mm x36	C2  x36	C7  16mm x36	D0  3x15 x60	D5  3,5x16 x20	D21  5x13 x28	E0  8x50 x1
H2  4x22 x6	F4  x2	J4  x2	J6  x2	K  4mm x1	L42  x3	M1  x40	M3  x12	N7  L-350 x2	P0  x1	Q4  x1
T8  x10	T25  x2									



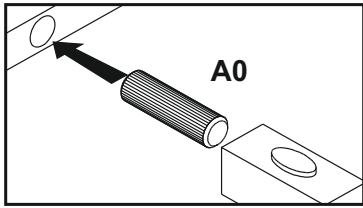
BARI Tall cabinet 1D/2Dr

①	1200	445	22	x1	1/4
②	1200	445	22	x1	1/4
③	439	422	16	x4	1/4
④	439	422	16	x1	1/4
⑤	439	422	16	x1	1/4
⑥	651	353	3	x2	1/4
⑦	453	1164	3	x4	1/4
⑧	1804	444	22	x1	2/4
⑨	1804	444	22	x1	2/4
⑩	137	641	22	x2	2/4
⑪	160	350	16	x2	2/4
⑫	160	350	16	x2	2/4

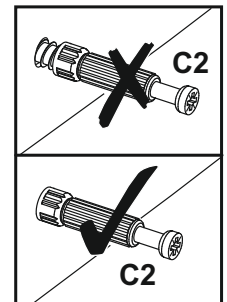
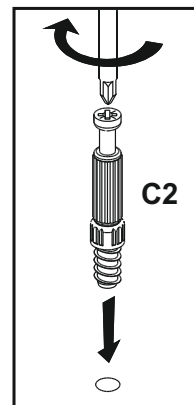
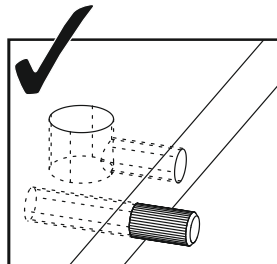
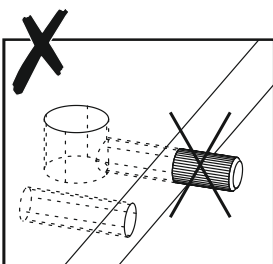
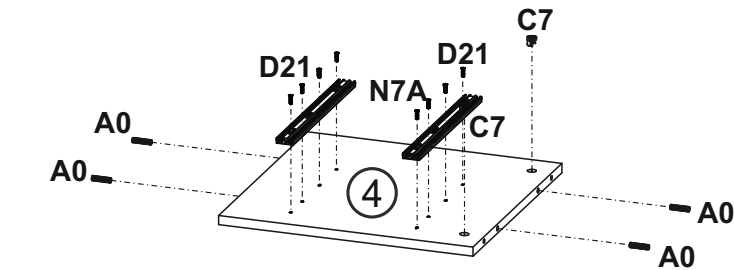
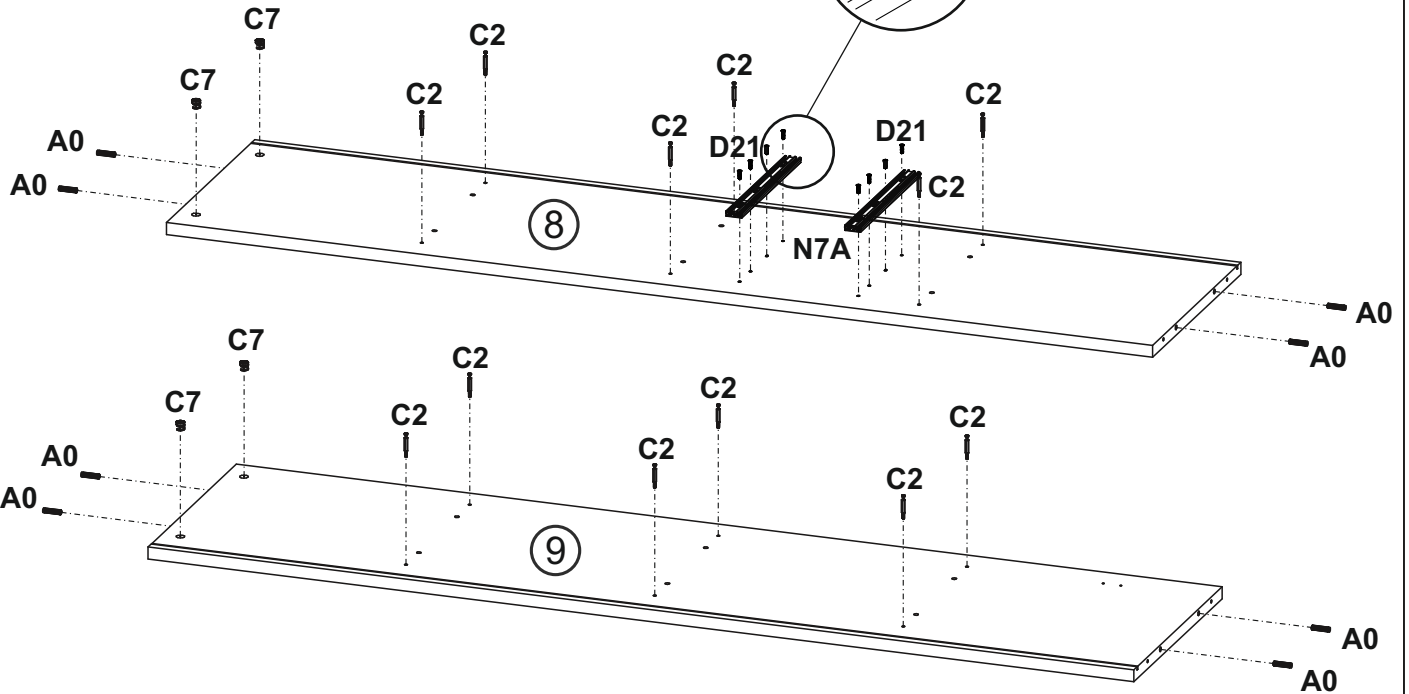
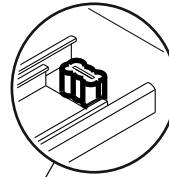
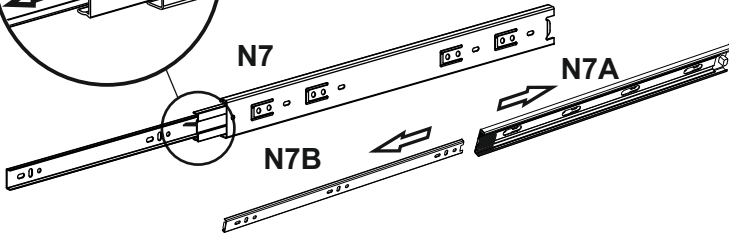
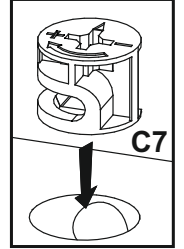
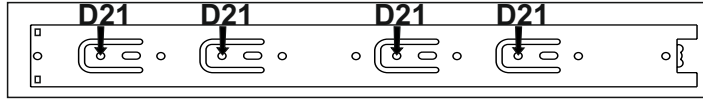
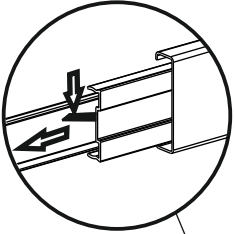
⑬	693	215	16	x2	3/4
⑭	693	433	16	x1	3/4
⑮	1154	423	16	x1	3/4
⑯	1154	423	16	x1	3/4
⑰	1154	423	16	x1	3/4
					4/4



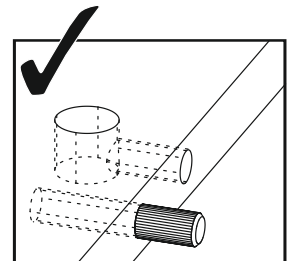
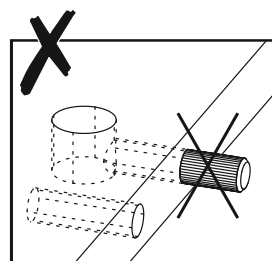
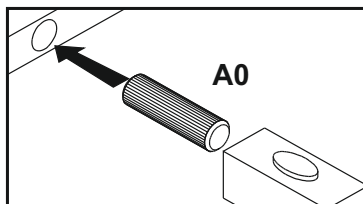
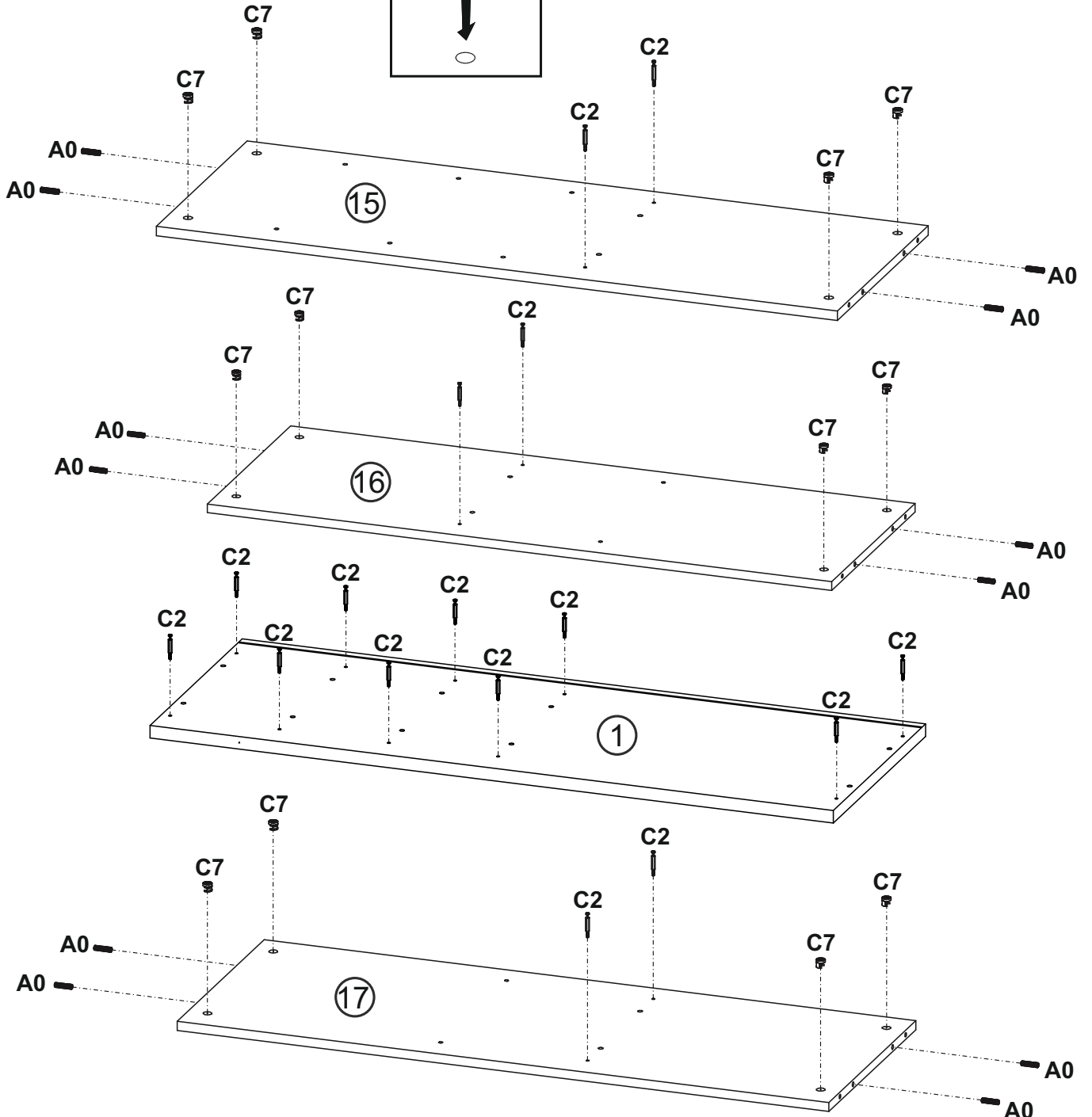
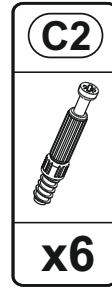
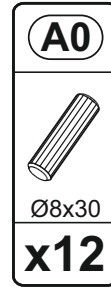
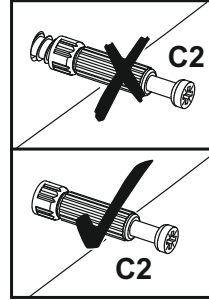
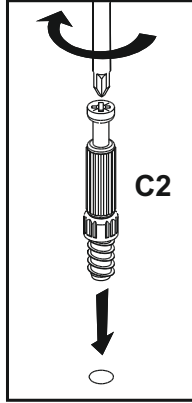
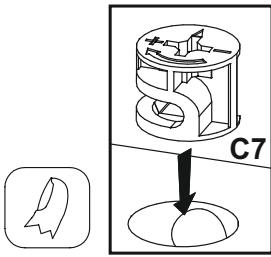
1



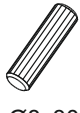




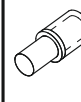
A0 Ø8x30 x12	C2 x12	C7 16mm x8	D21 5x13 x16	N7 L-350 x2
--------------------------------------	-----------------------------	------------------------------------	--------------------------------------	-------------------------------------

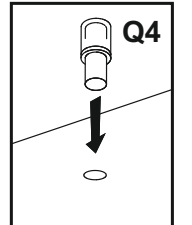
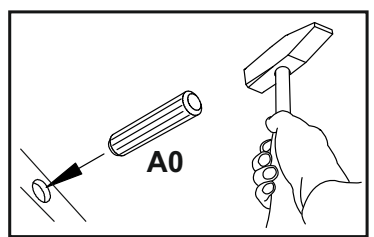
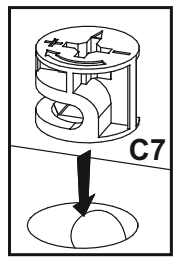
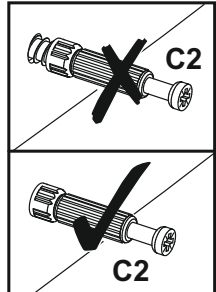
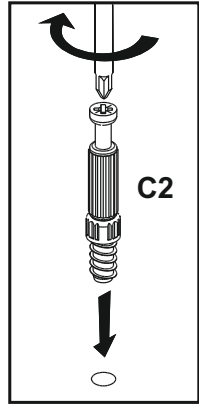
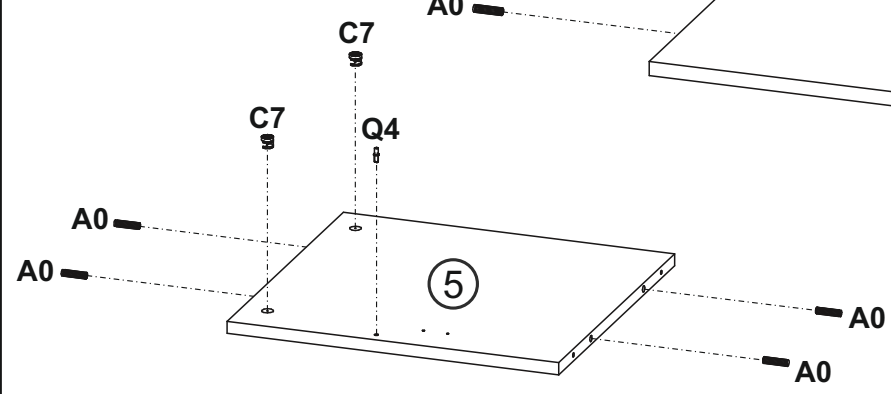
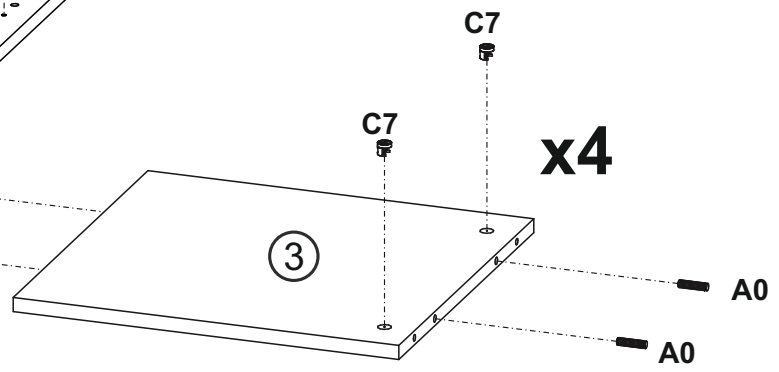
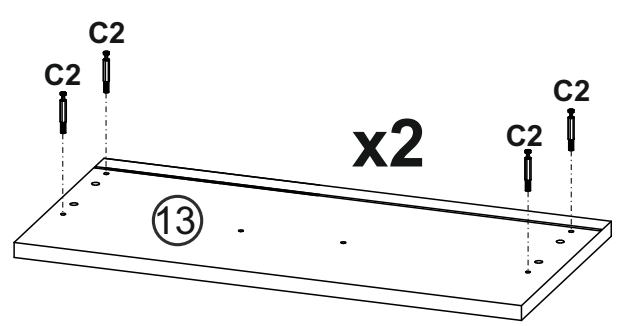
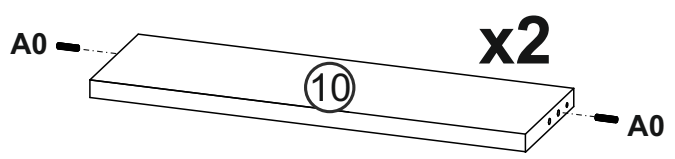
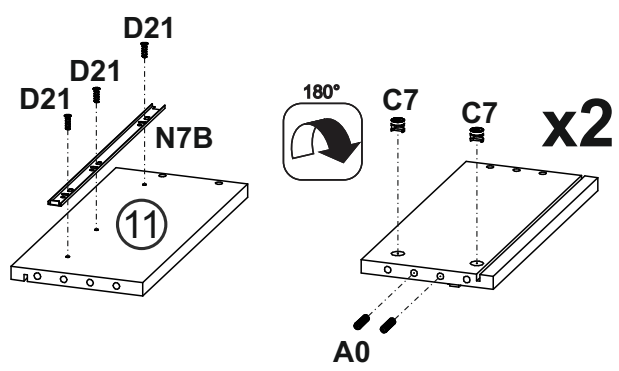
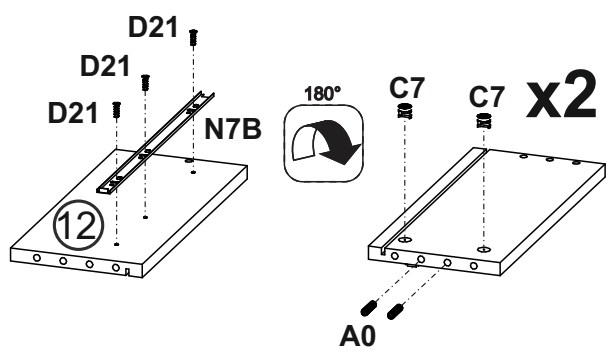


2




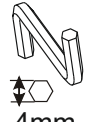
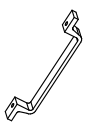




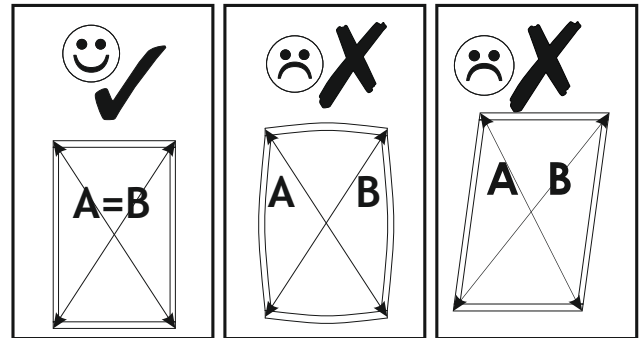
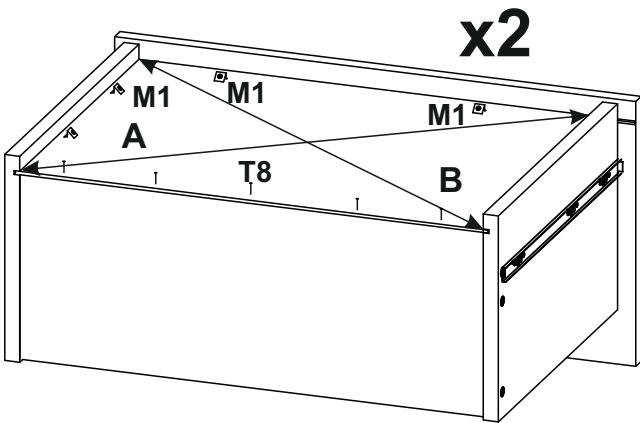
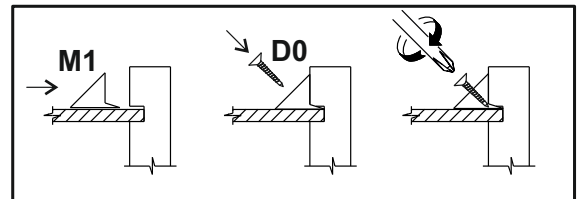
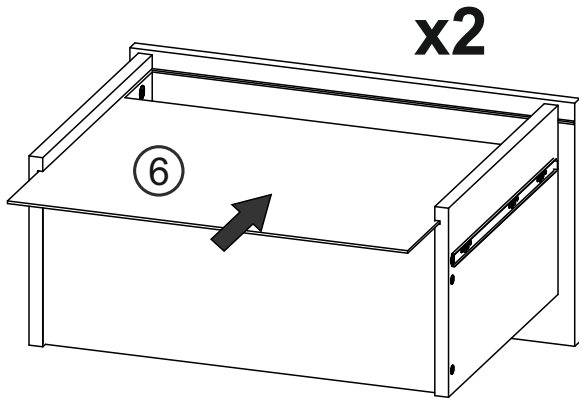
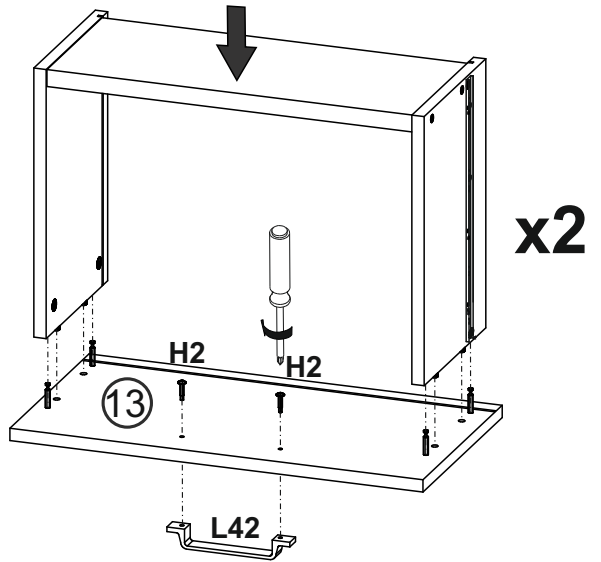
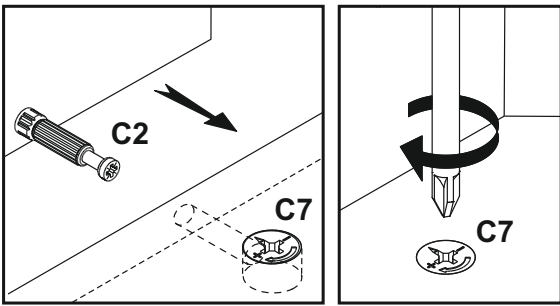
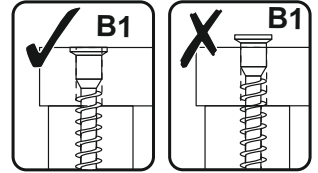
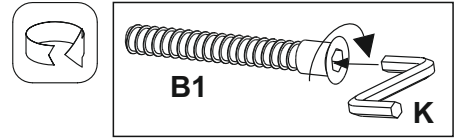
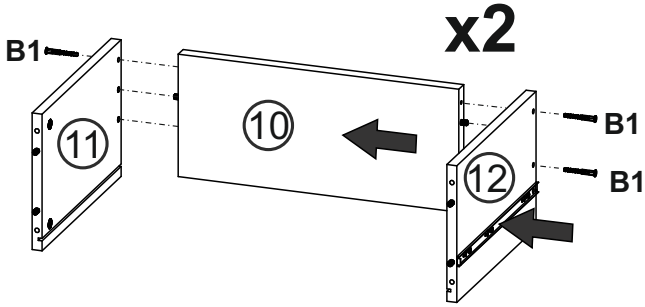
3

A0  Ø8x30 x32	C2  x8	C7  16mm x18	D21  5x13 x12	N7B  L-350 x2	Q4  x1
---	---	--	---	---	---







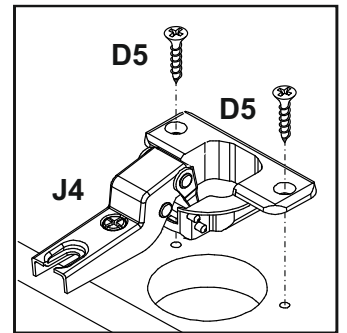
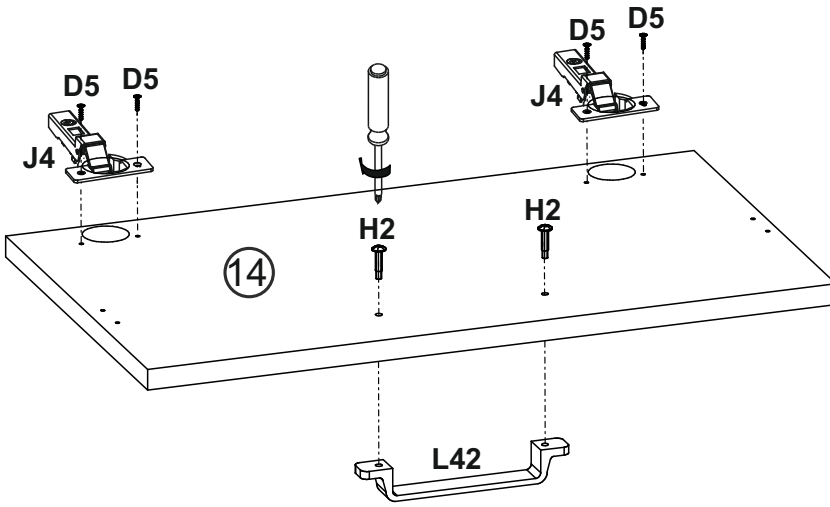
4

B1	D0	H2	K	L42	M1	T8
						
∅7x50	3x15	4x22	4mm			
x8	x12	x4	x1	x2	x12	x10

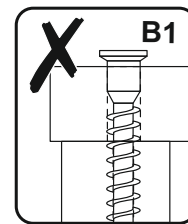
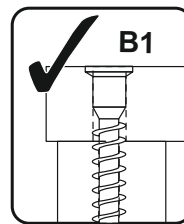
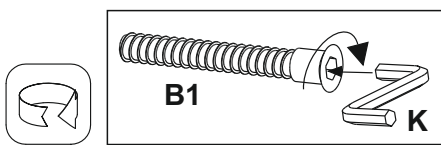




5

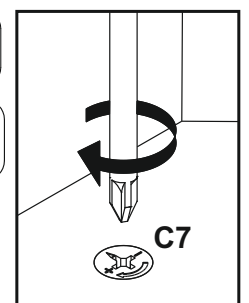
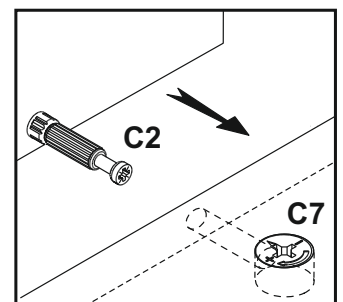
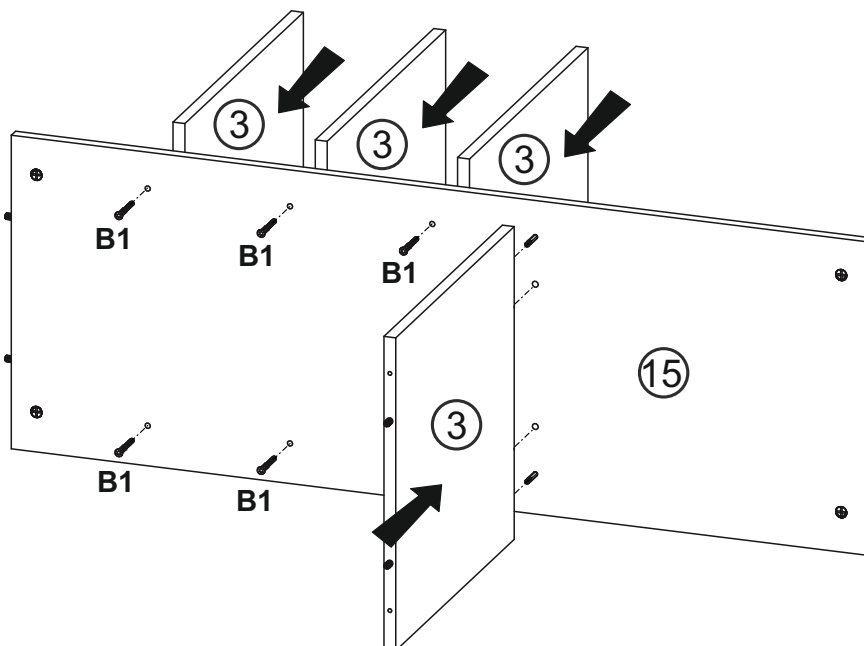
D5	H2	J4	L42
			
3,5x16	4x22		
x4	x2	x2	x1



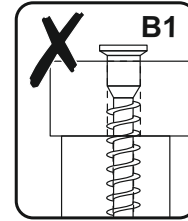
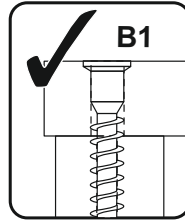
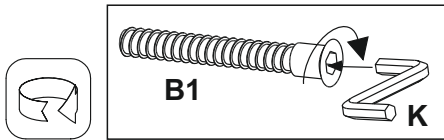
6



B1	K
	
ø7x50	4mm
x6	x1

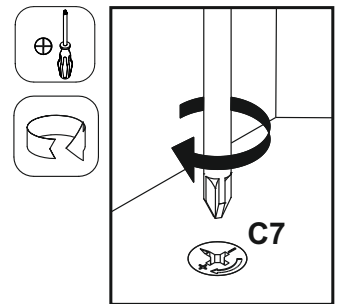
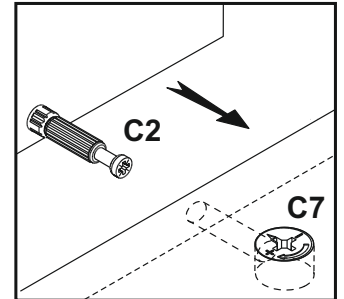
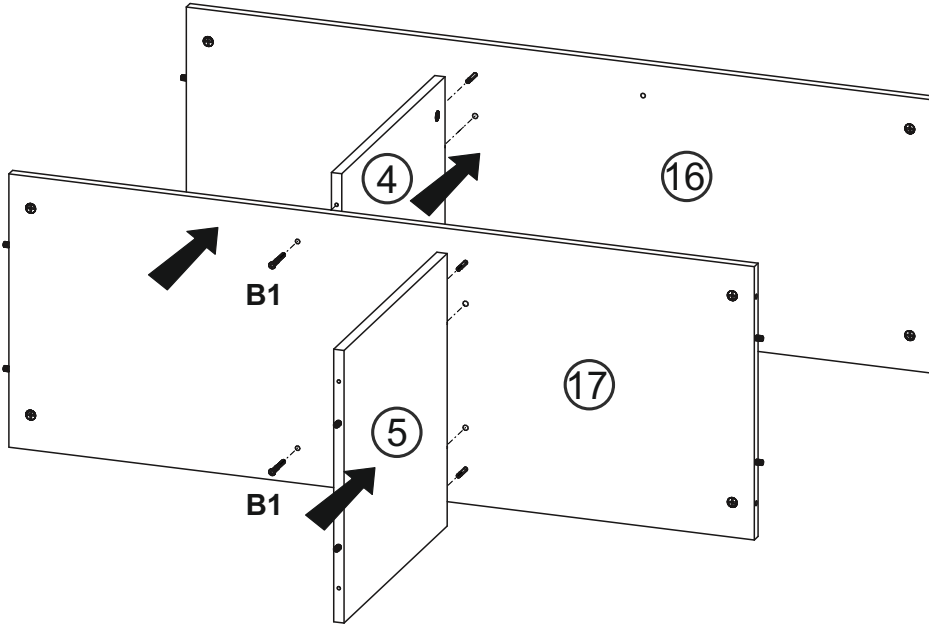


7

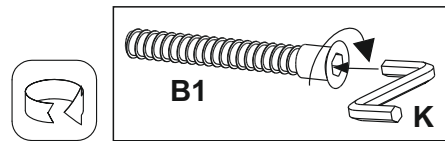


B1
ø7x50
x2

K
4mm
x1

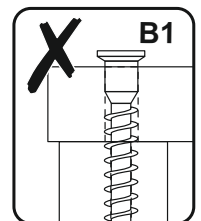
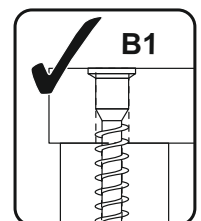
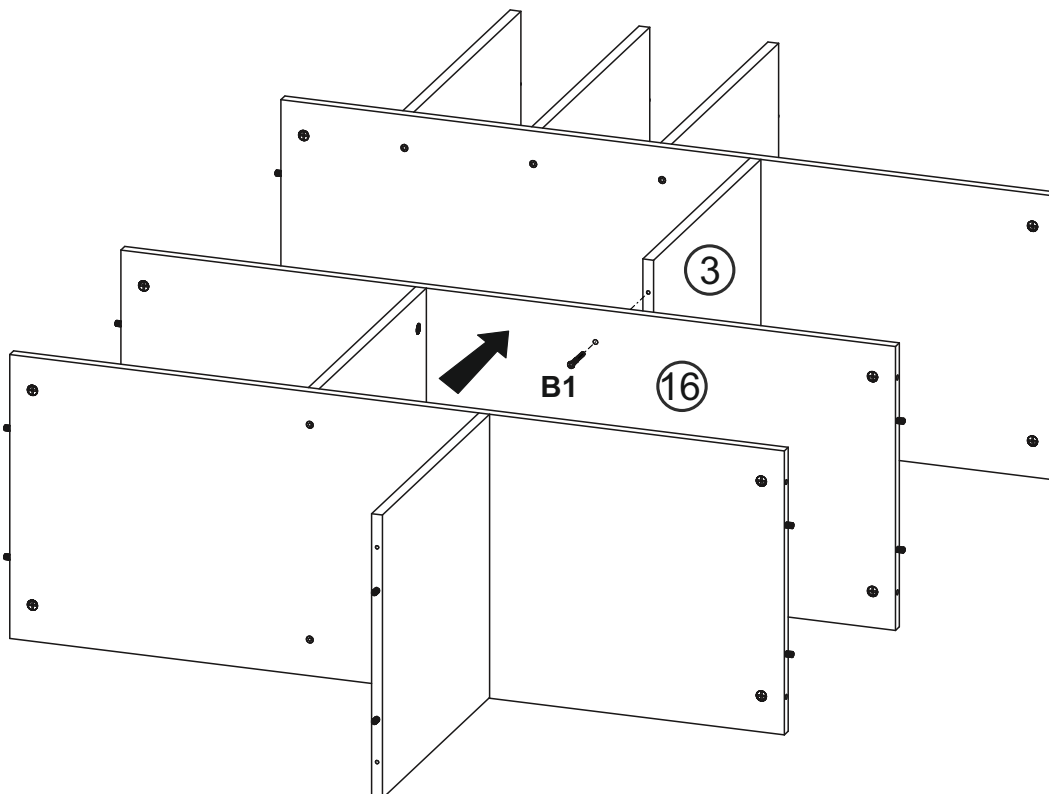


8

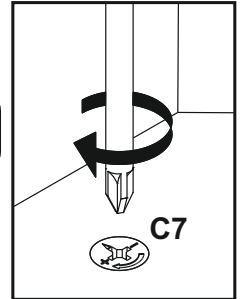
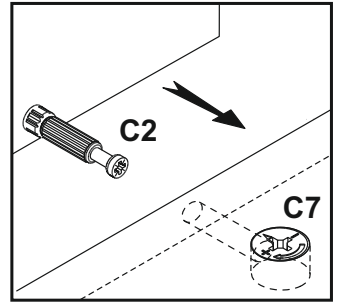
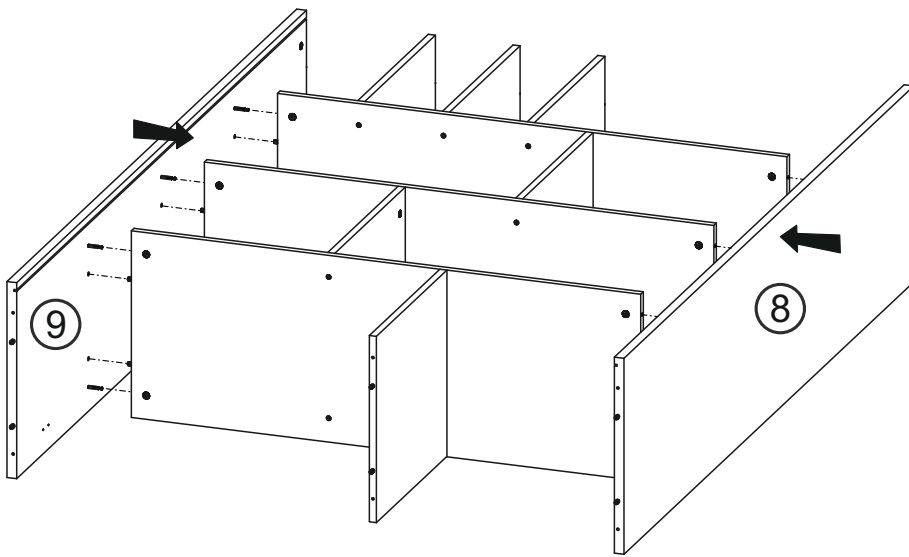


B1
ø7x50
x2

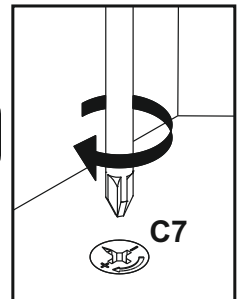
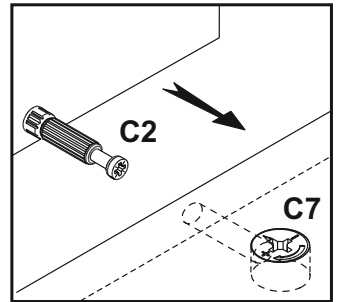
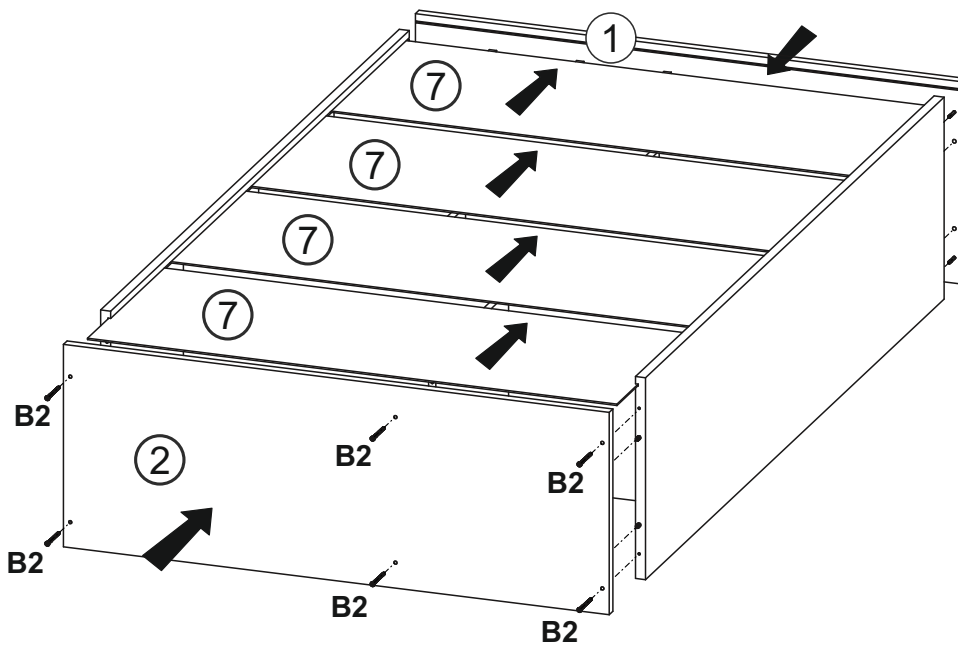
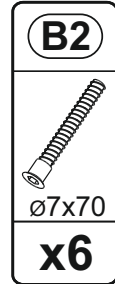
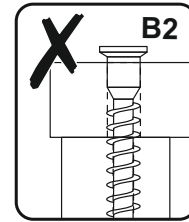
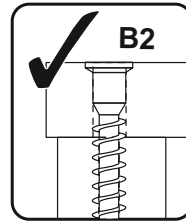
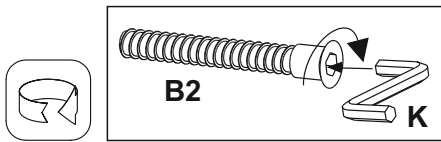
K
4mm
x1



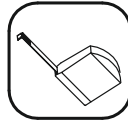
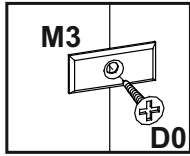
9



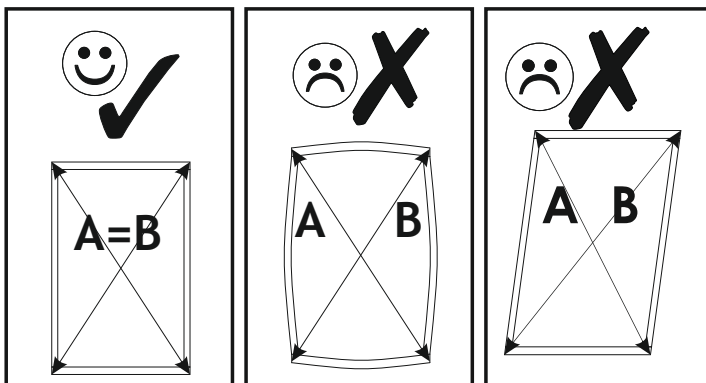
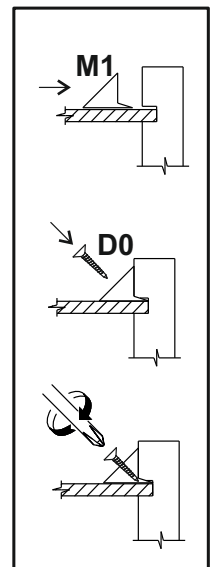
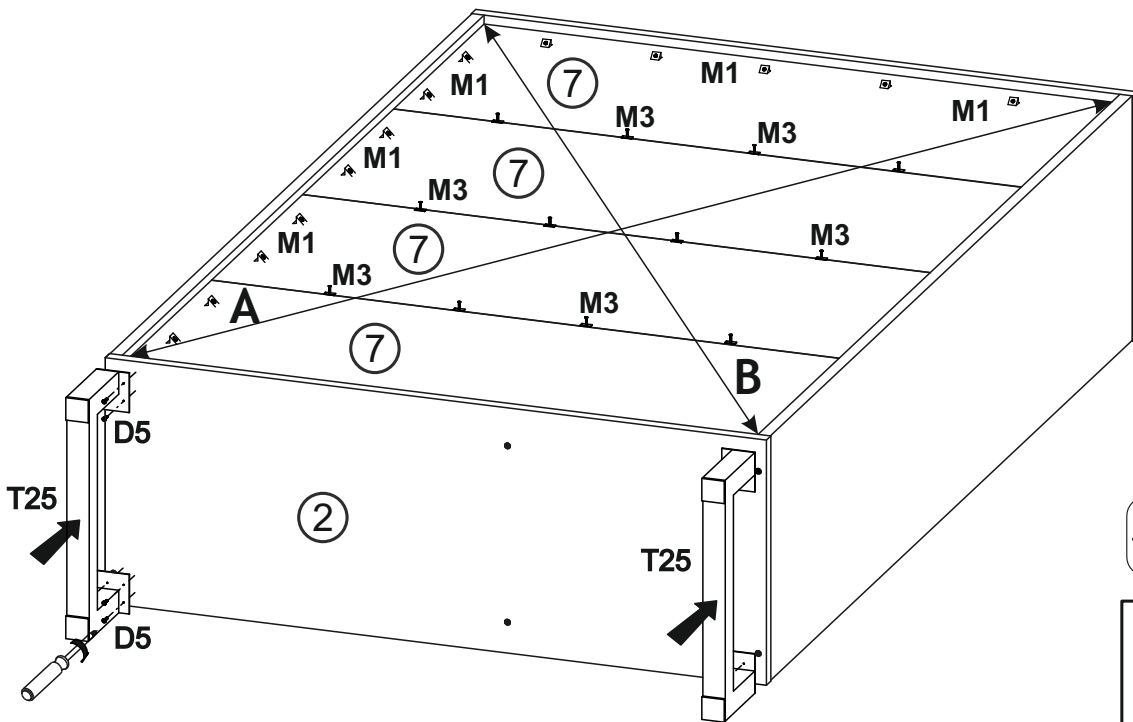
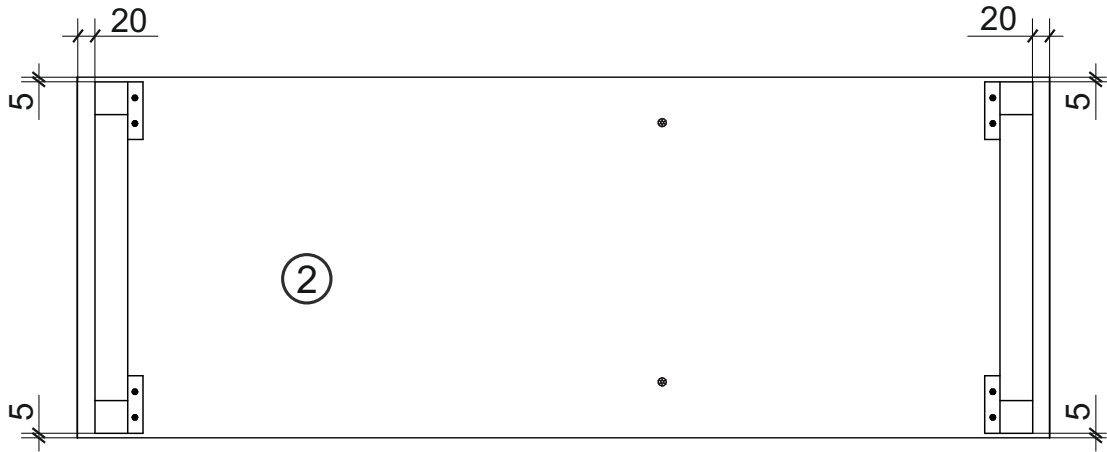
10



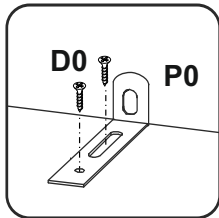
11



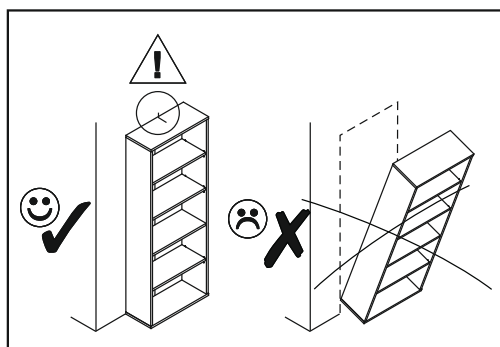
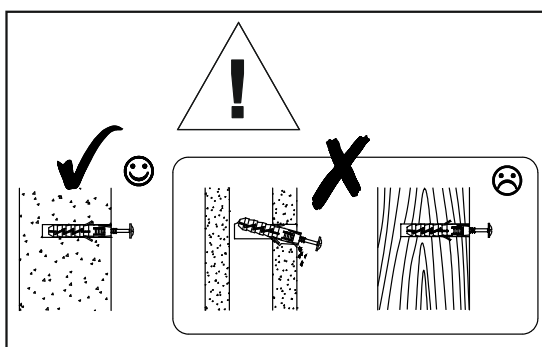
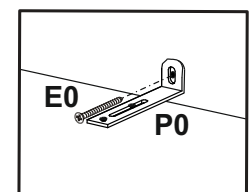
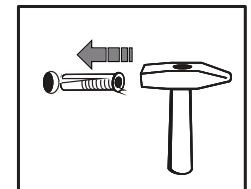
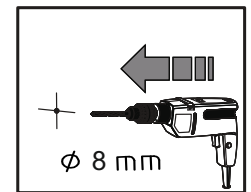
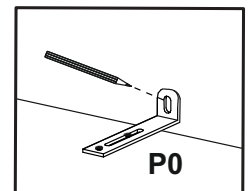
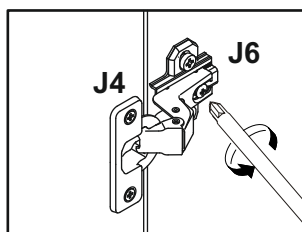
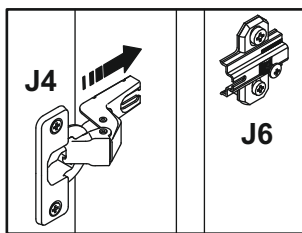
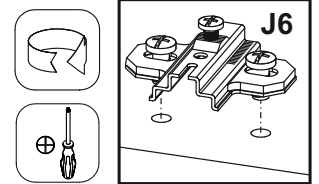
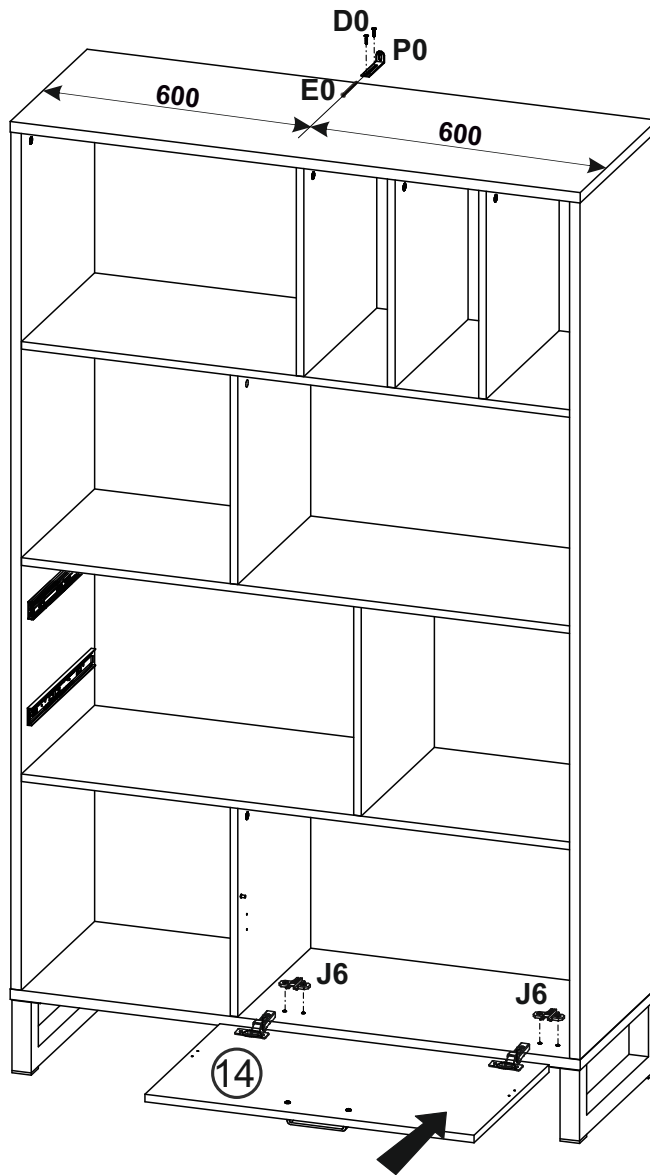
D0	D5	M1	M3	T25
3x15	3,5x16			
x40	x12	x28	x12	x2



12



D0	E0	J6	P0
3x15	8x50		
x2	x1	x2	x1



13

