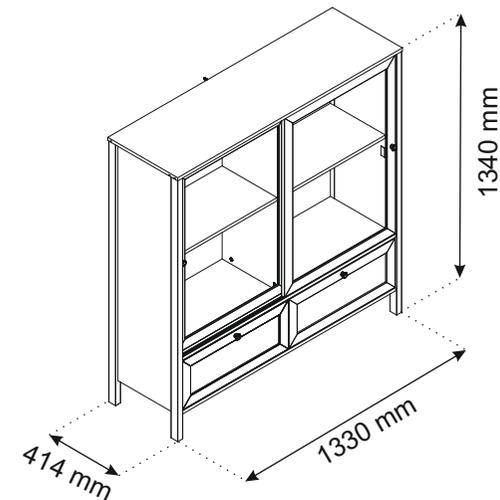
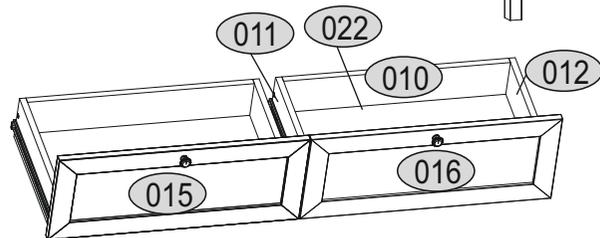
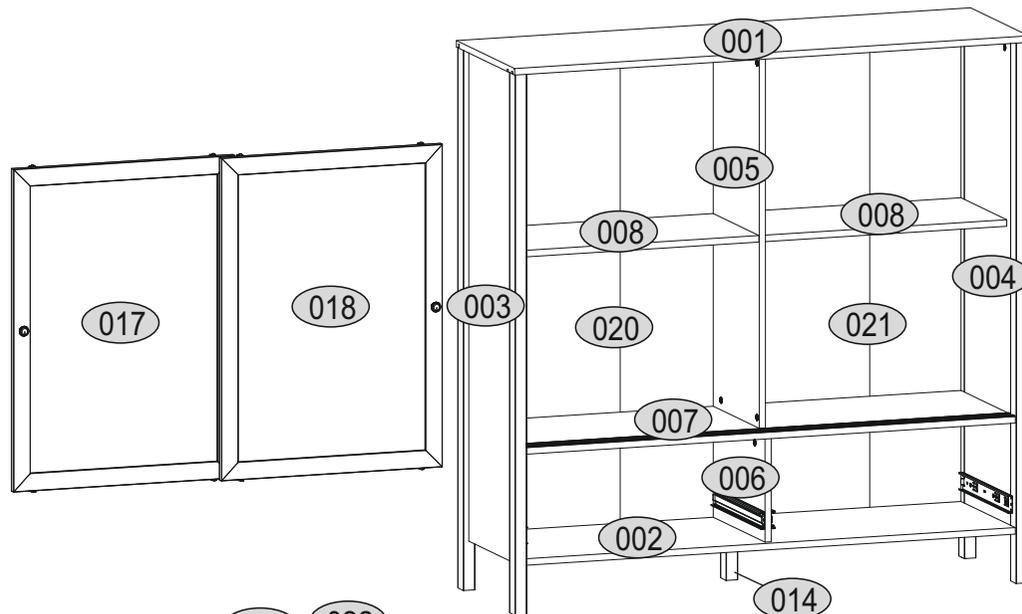
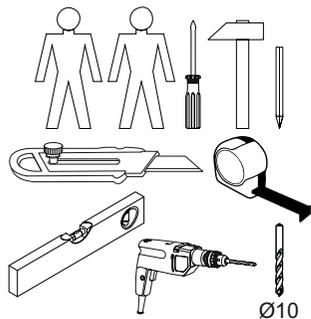
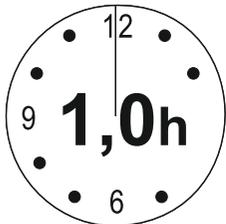


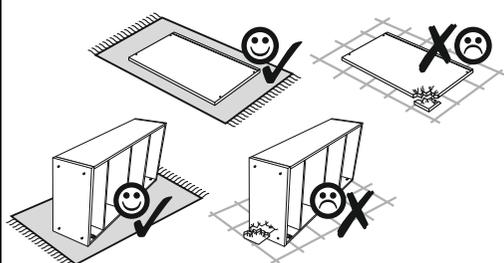
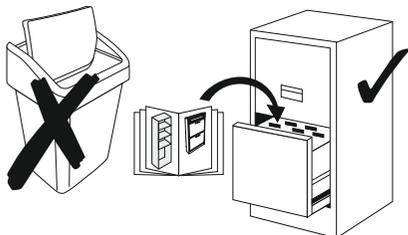


# Installation manual

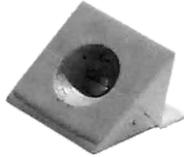
## Klark Showcase low 2W2S



Code	Dimensions			Package	
001	1330	414	16	1	2/3
002	1266	400	16	1	1/3
003	1324	408	30	1	2/3
004	1324	408	30	1	2/3
005	916	327	16	1	1/3
006	256	368	16	1	1/3
007	1266	386	16	1	1/3
008	625	325	16	2	1/3
010	568	120	16	2	1/3
011	350	120	16	2	1/3
012	350	120	16	2	1/3
014	120	40	30	1	2/3
015	629	250	18	1	2/3
016	629	250	18	1	2/3
017	910	658	18	1	3/3
018	910	658	18	1	3/3
020	1206	642	3	1	2/3
021	1206	642	3	1	2/3
022	349	586	3	2	2/3
accessories				1	1/3



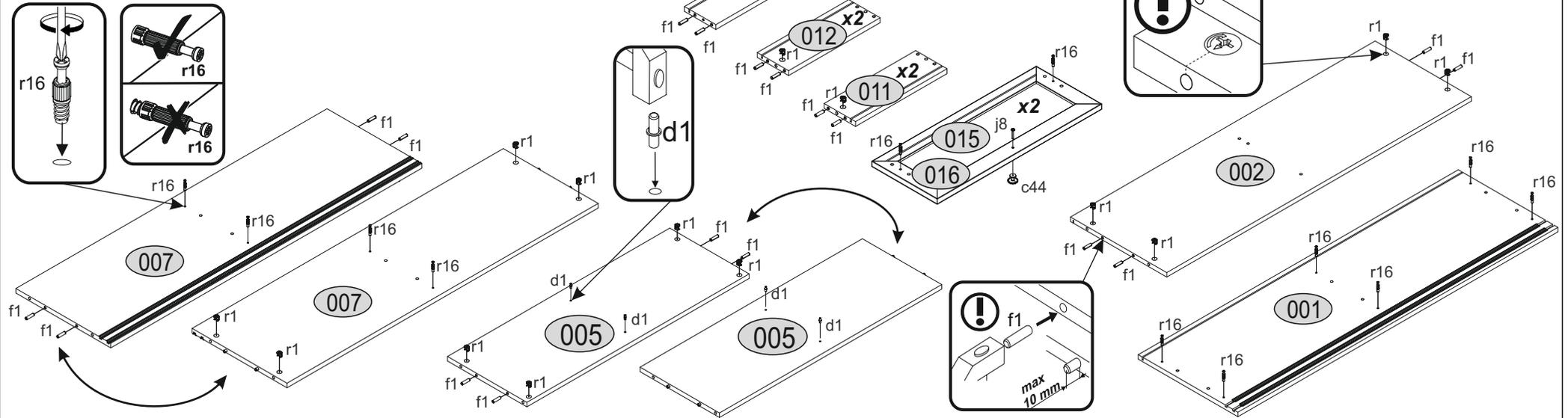
# Accessories:

<p>4x c44</p> 	<p>8x d1</p> 	<p>7x e1 Ø7x50</p> 	<p>36x f1 Ø8x30</p> 
<p>1x f3</p> 	<p>4x j8 Ø4x25</p> 	<p>10x l2</p> 	<p>2x lb L-350</p> 
<p>1x n14</p> 	<p>1x n25</p> 	<p>4x n260.01</p> 	<p>4x n29</p> 
<p>4x n30</p> 	<p>1x p17</p> 	<p>56x p25</p> 	<p>22x r1 Ø15x12</p> 
<p>22x r16 Ø5x24</p> 	<p>12x s2</p> 	<p>1x z1</p> 	<p>2x p38 Ø3.5x15</p> 



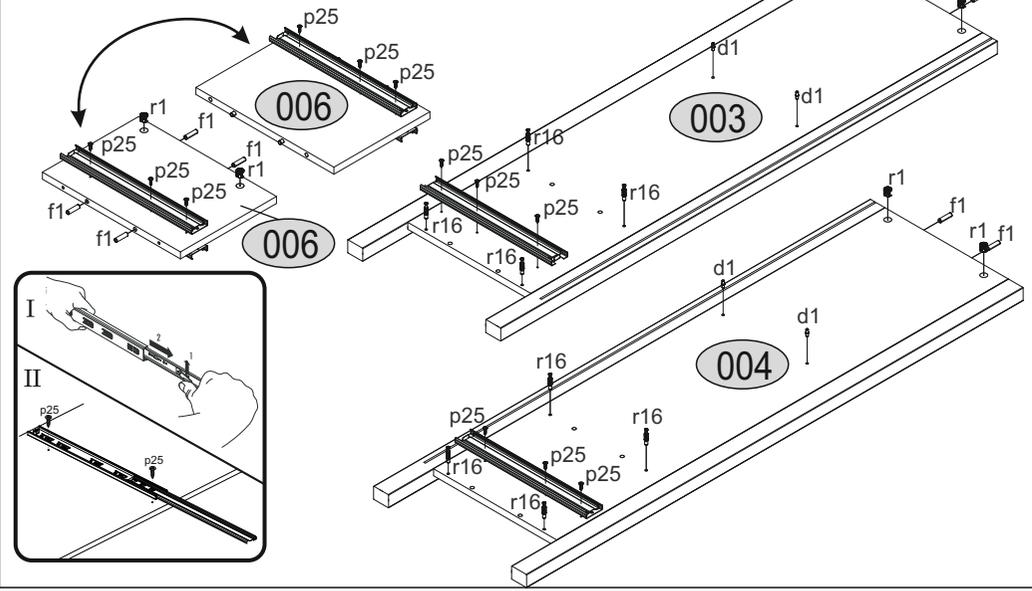
**1**

f1	r16	r1	d1	c44	j8
x28	x14	x16	x4	x2	x2



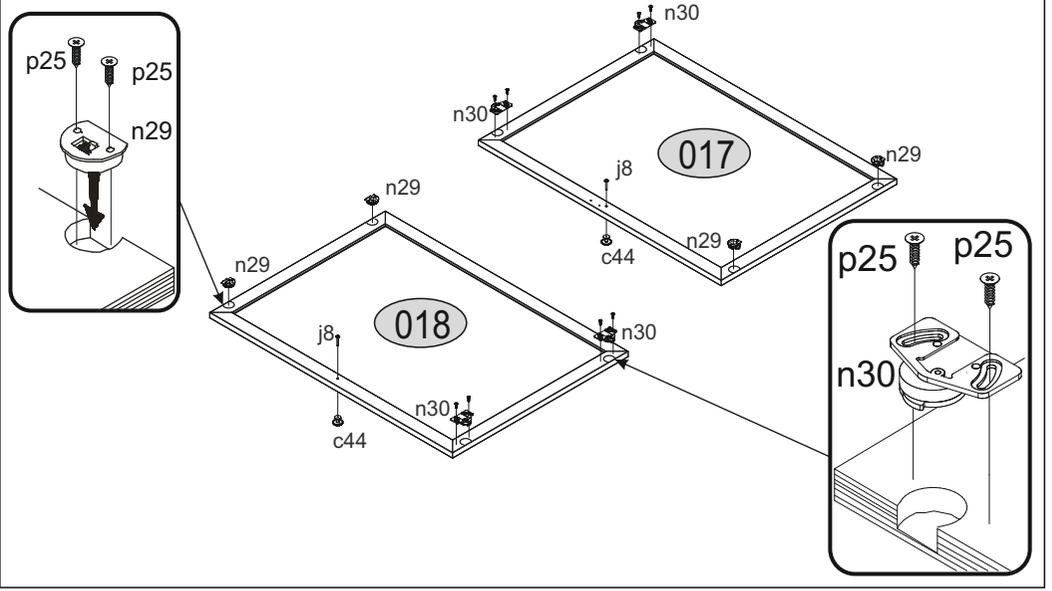
**2**

f1	r16	r1	d1	p25	L-350
x8	x8	x6	x4	x12	x2



**3**

n29	n30	p25	j8	c44
x4	x4	x16	x2	x2

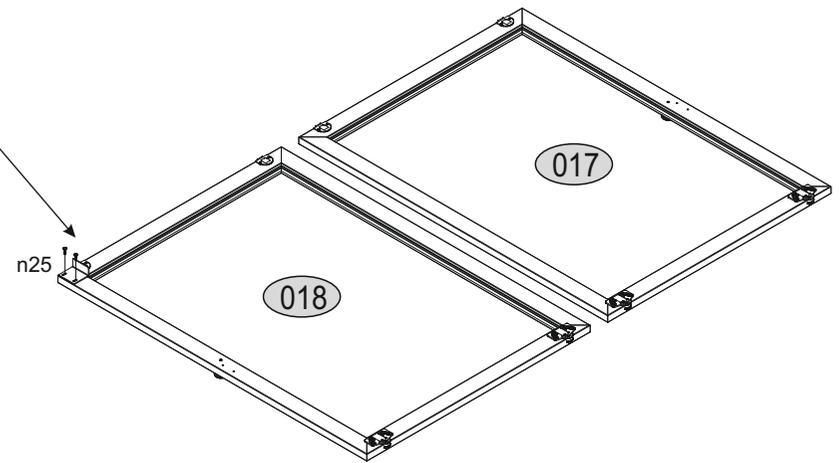
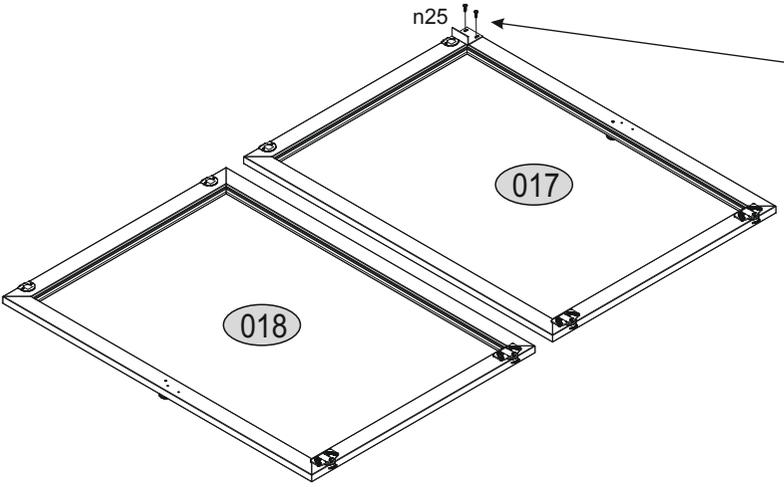
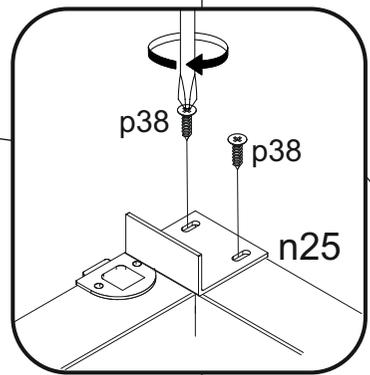
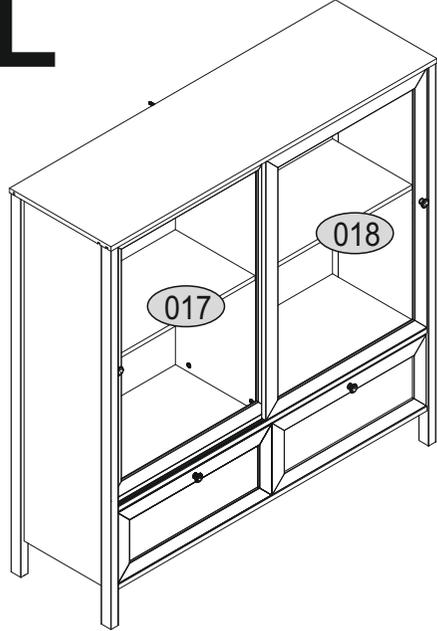
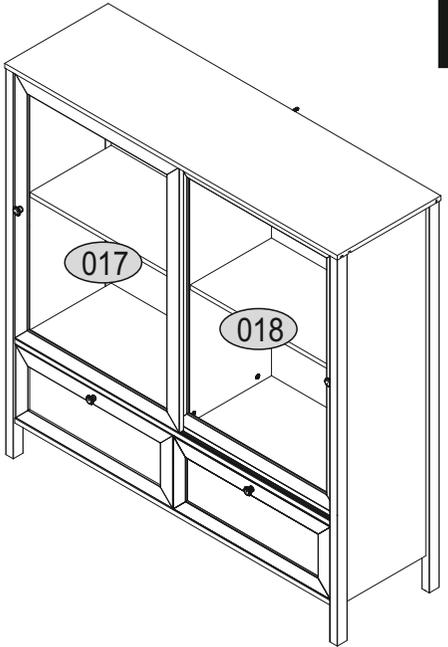


# 4

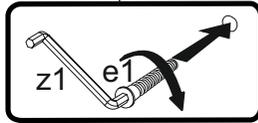
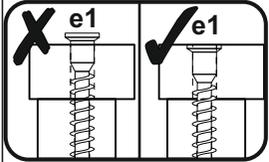
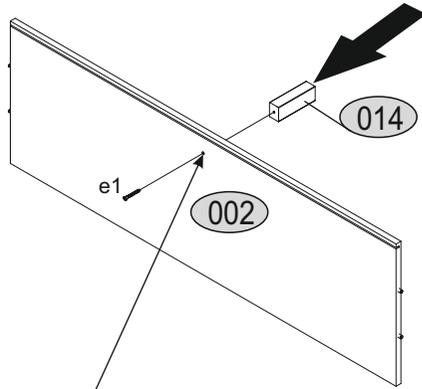
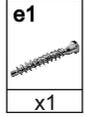
n25	p38
	
x1	x2

## R

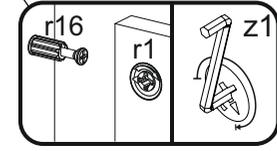
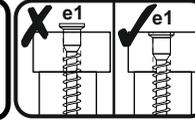
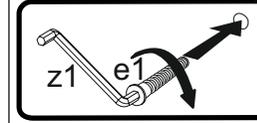
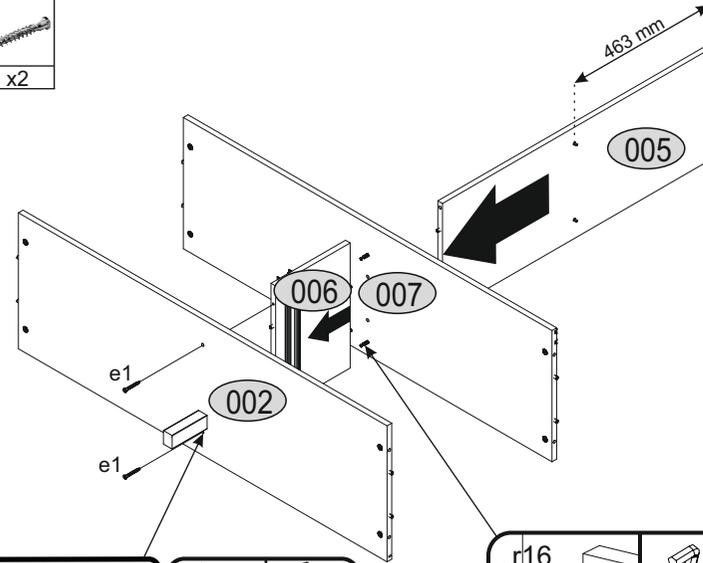
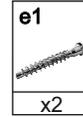
## L



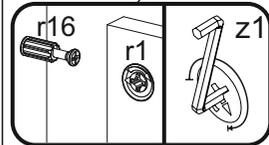
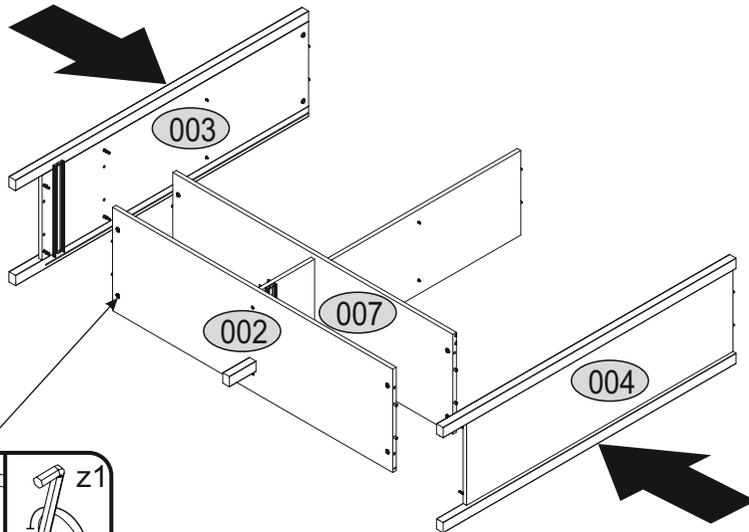
# 5



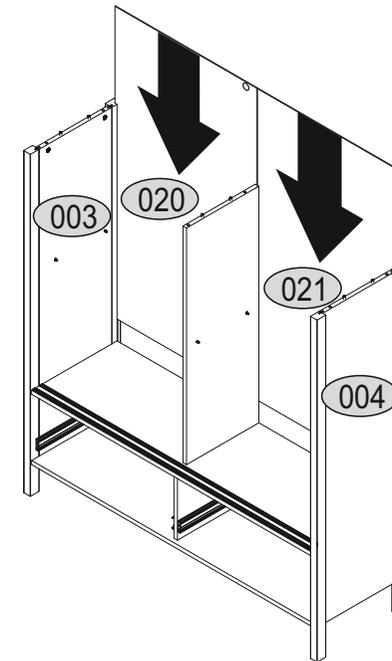
# 6



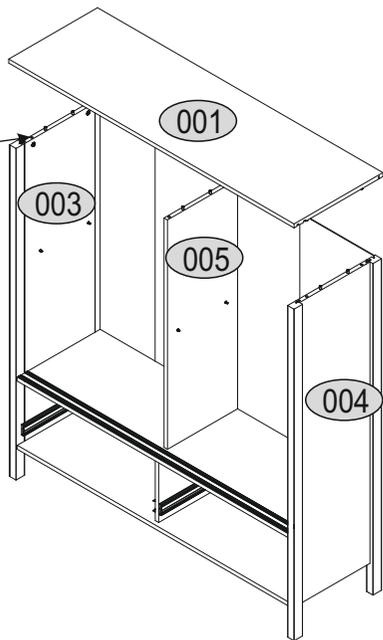
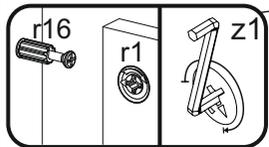
# 7



# 8

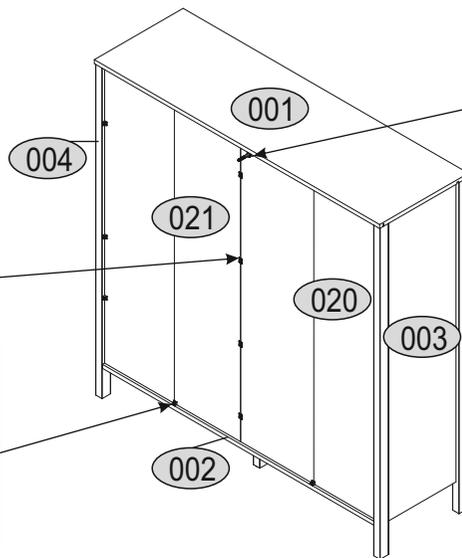
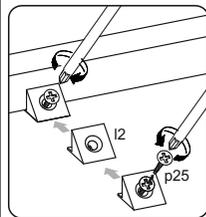
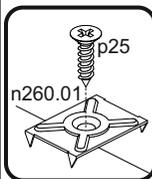
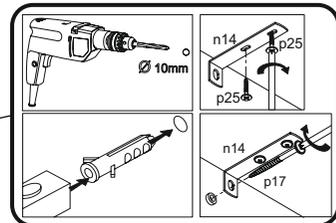
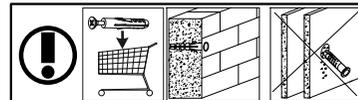


# 9



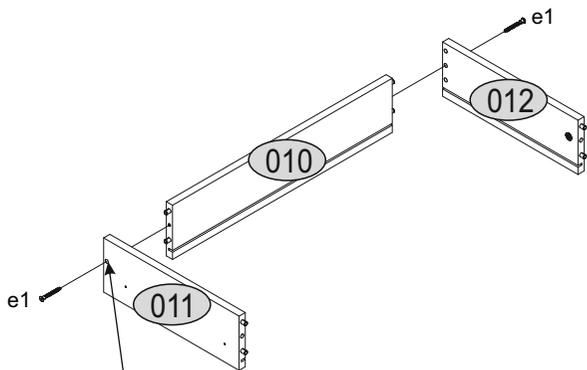
# 10

p25	l2	n260.01	n14	f3	p17
x16	x10	x4	x1	x1	x1

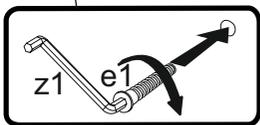
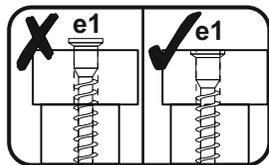


# 11

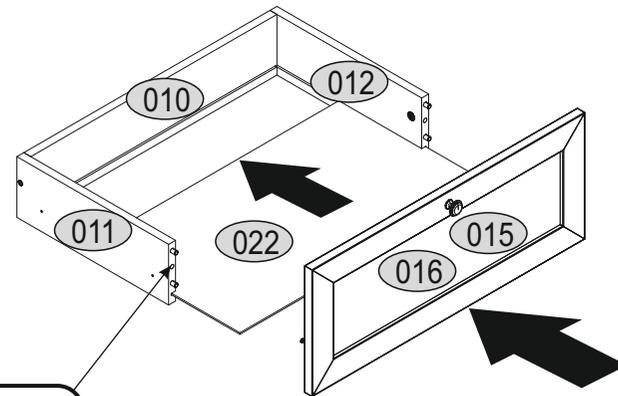
e1
x4



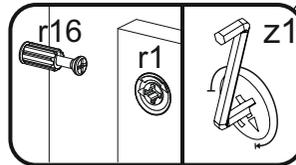
# x2



# 12

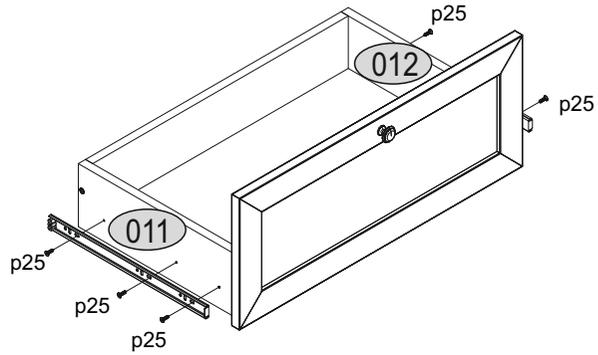


# x2



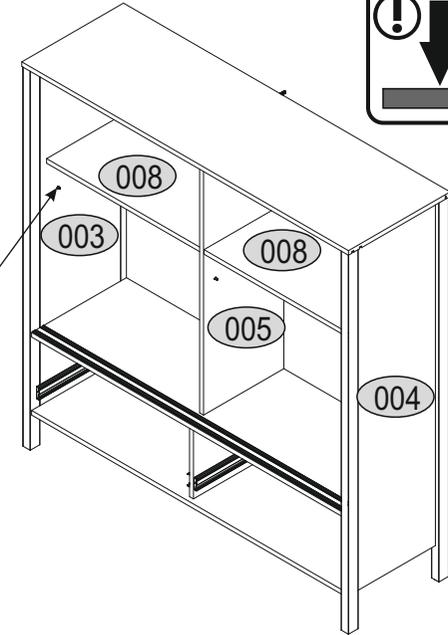
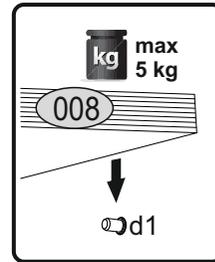
# 13

p25	L-350
x12	x2

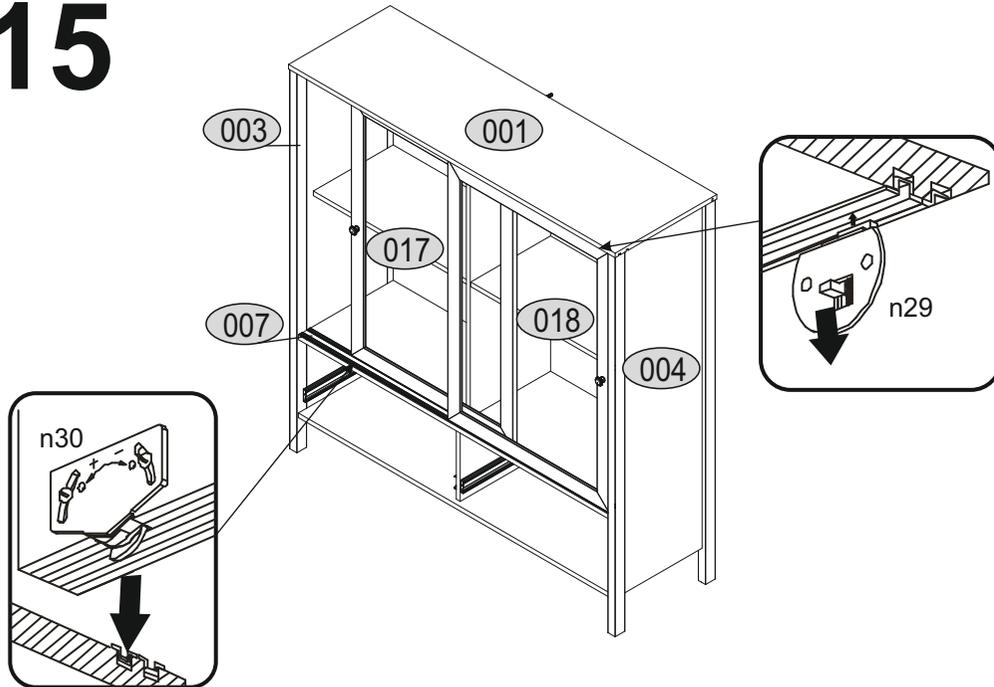


## x2

# 14



# 15



# 16

s2
x12

