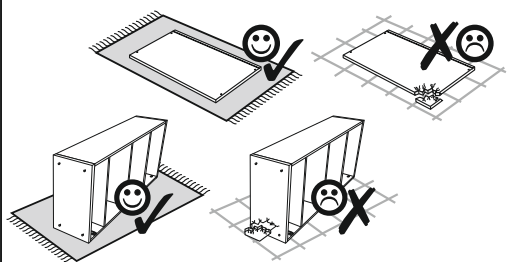
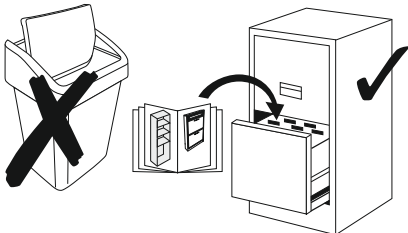
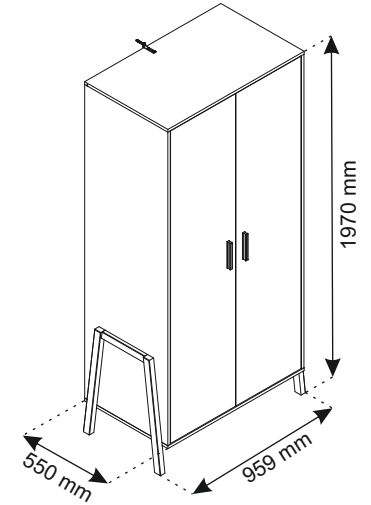
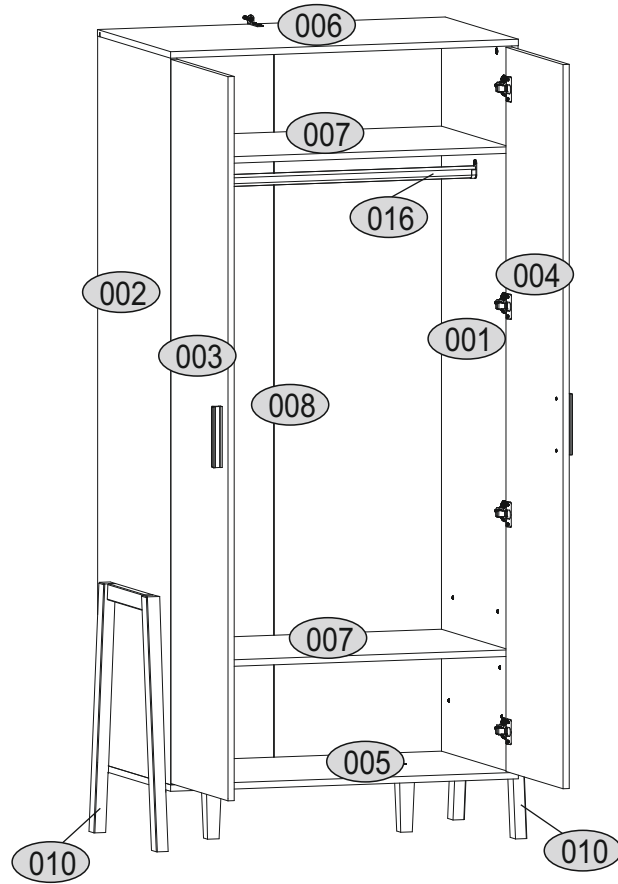
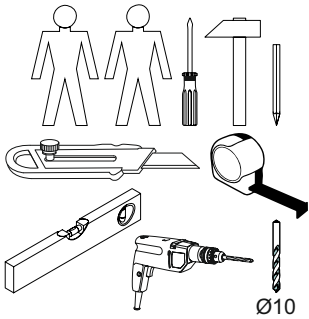
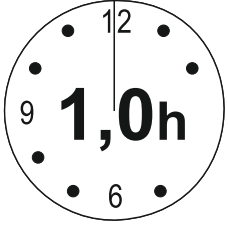


Installation manual

Belle Wardrobe 2D



Code	Dimensions				Package
001	1788	549	16	1	2/2
002	1788	549	16	1	2/2
003	1782	429	16	1	2/2
004	1782	429	16	1	2/2
005	900	550	16	1	1/2
006	900	550	16	1	1/2
007	867	512	16	2	1/2
008	1806	884	2,5	1	2/2
010	620	510	30	2	1/2
016	862			1	1/2
Accessories				1	1/2

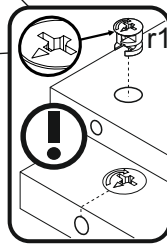
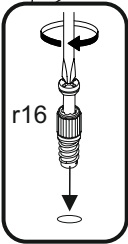
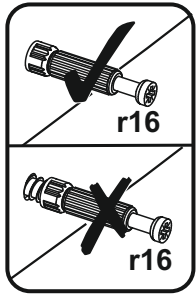
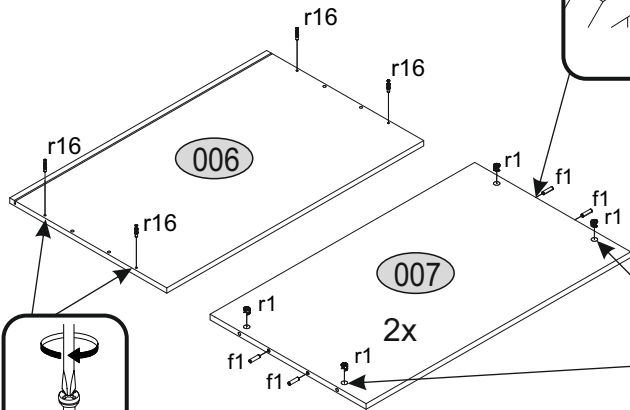
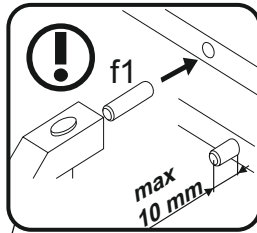
Accessories:

<p>8x a311.04.002</p> 	<p>8x b219</p> 	<p>2x c57</p> 	<p>2x k87</p> 
<p>6x e1</p> <p>Ø7x50</p> 	<p>16x f1</p> <p>Ø8x30</p> 	<p>1x f3</p> <p>Ø10x50</p> 	<p>1x z1</p> 
<p>20x l2</p> 	<p>1x n14</p> 	<p>2x n301</p> 	<p>12x p10</p> <p>Ø4x40</p> 
<p>1x p17</p> <p>Ø6x50</p> 	<p>42x p25</p> <p>Ø3.5x16</p> 	<p>4x p9</p> <p>Ø4x30</p> 	<p>12x r1</p> <p>Ø15x12</p> 
<p>12x r16</p> <p>Ø5x24</p> 	<p>8x s2</p> 	<p>2x s1</p> 	



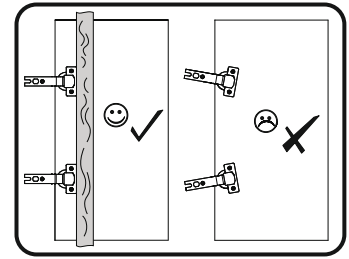
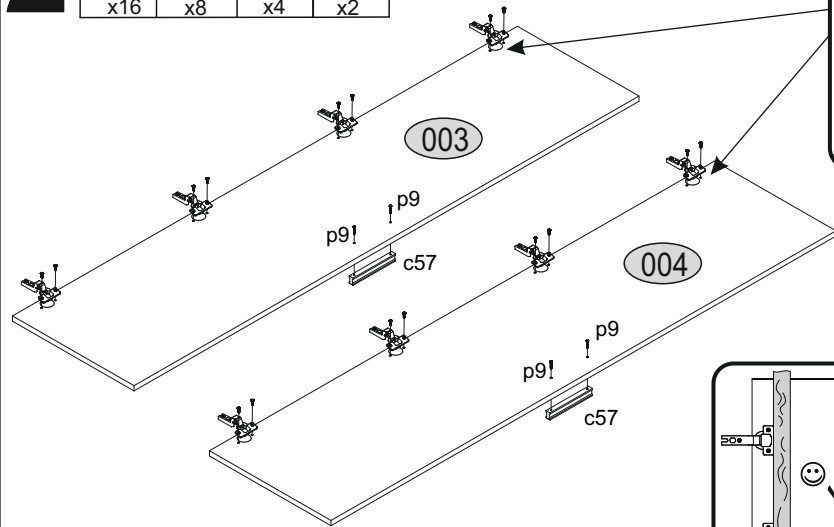
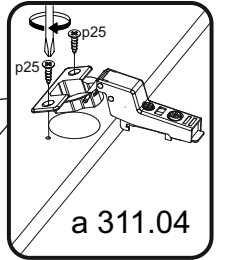
1

f1	r1	r16
x8	x8	x4



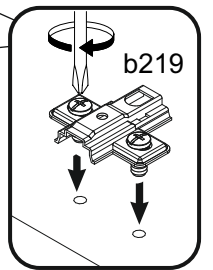
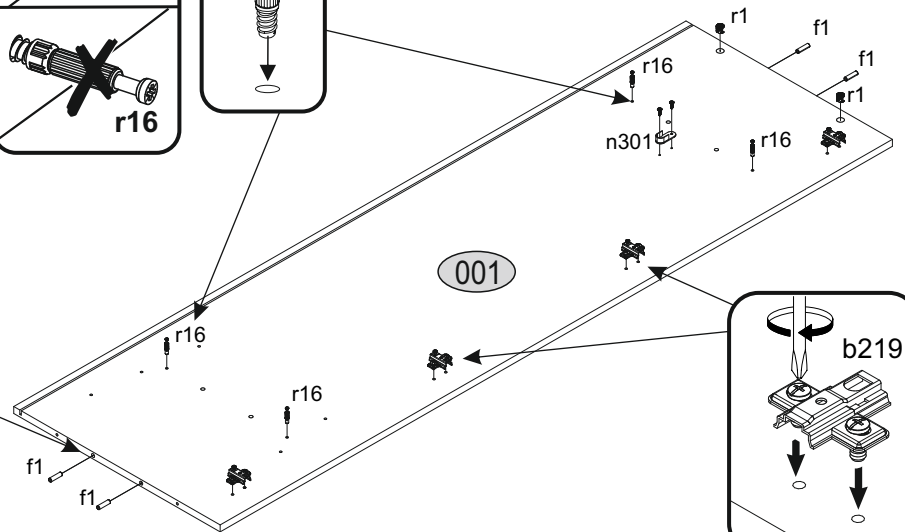
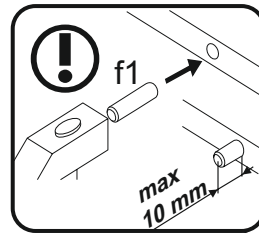
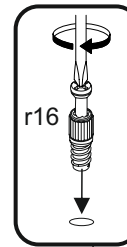
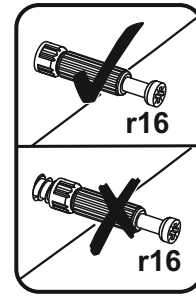
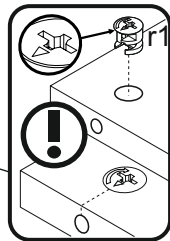
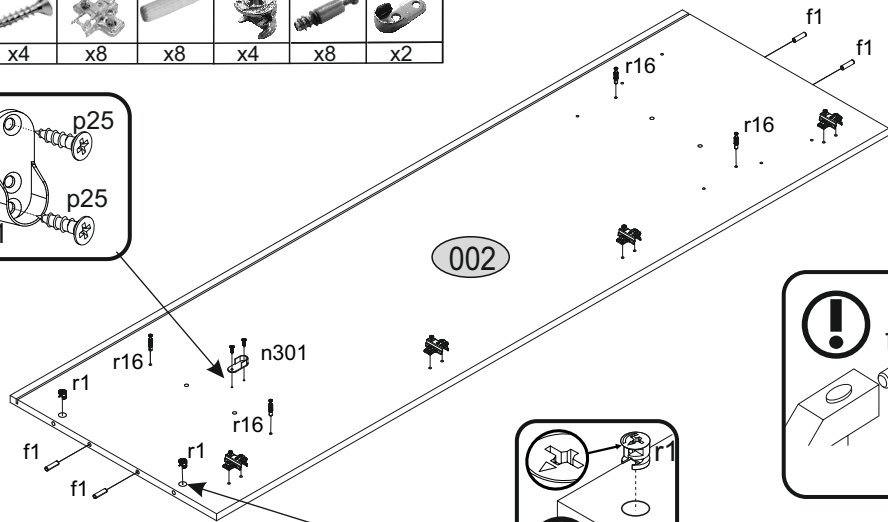
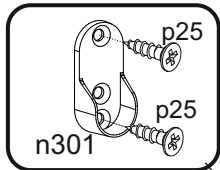
2

p25	a311.04	p9	c57
x16	x8	x4	x2



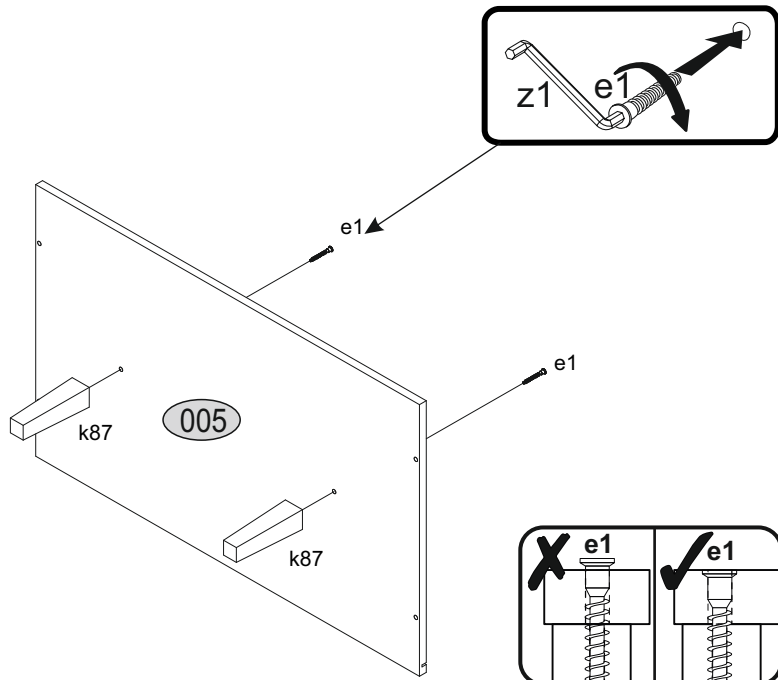
3

p25	b219	f1	r1	r16	n301
x4	x8	x8	x4	x8	x2

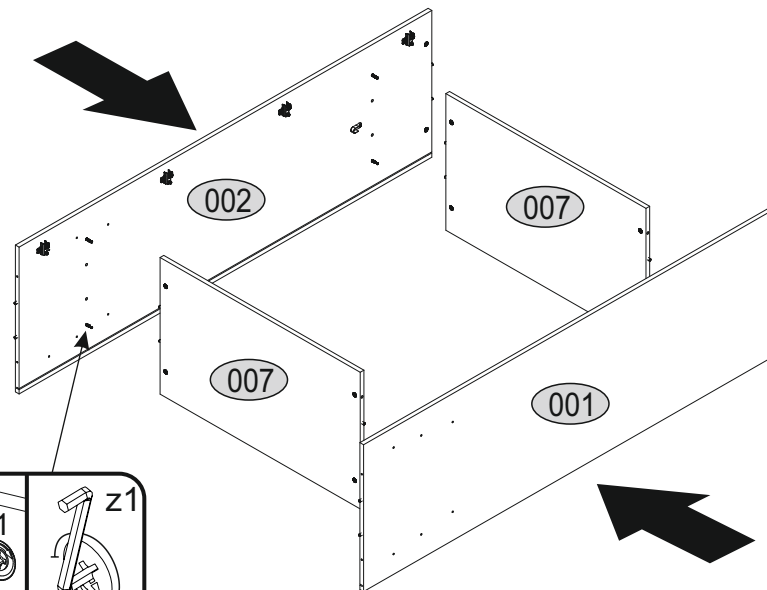
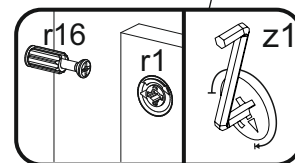


4

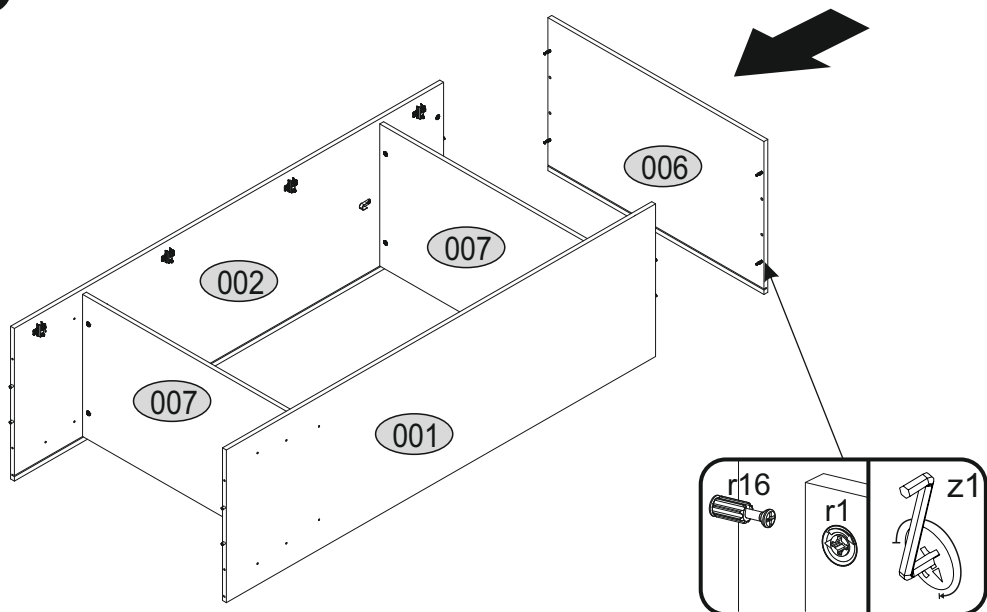
e1	k87
x2	x2



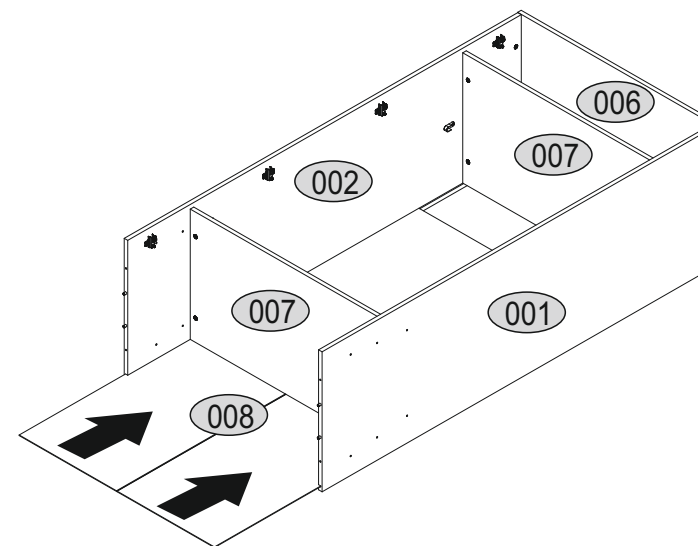
5



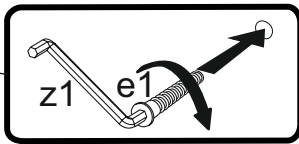
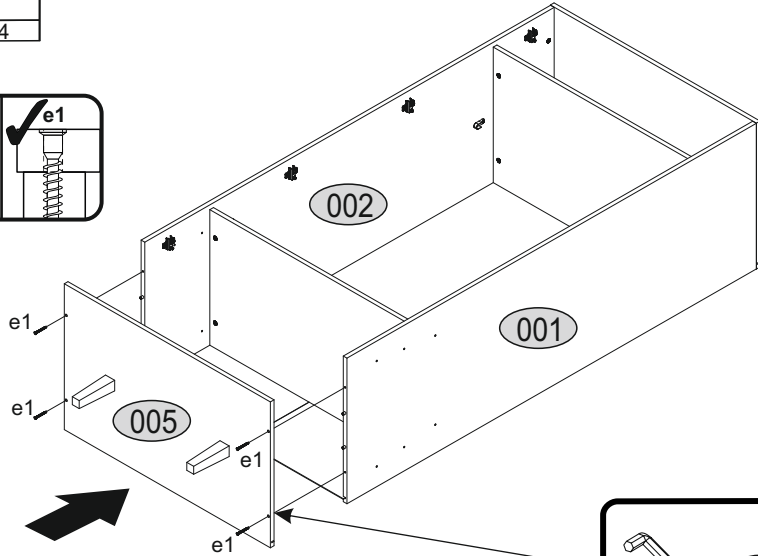
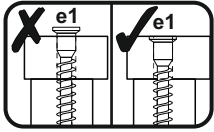
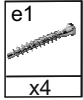
6



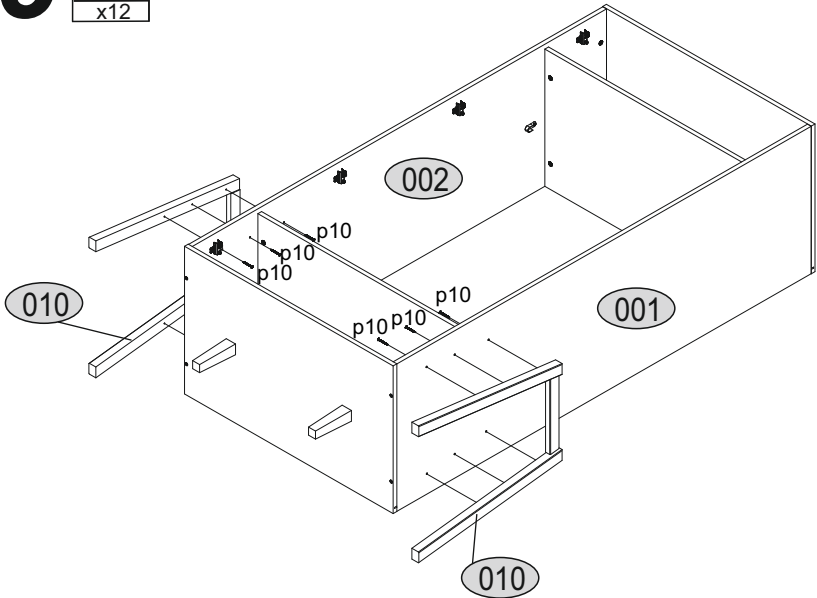
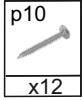
7



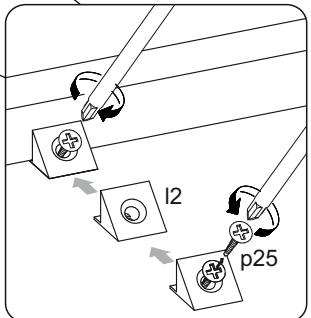
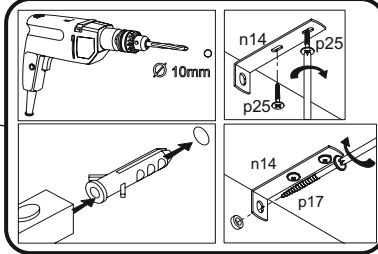
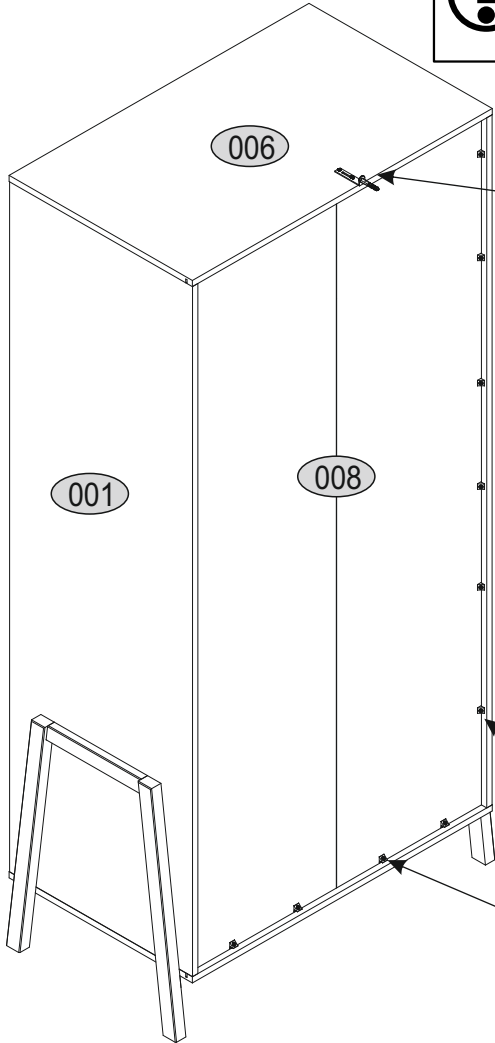
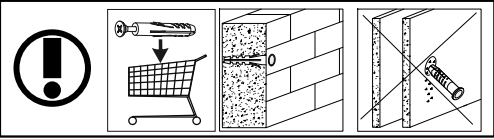
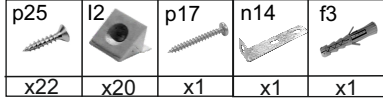
8



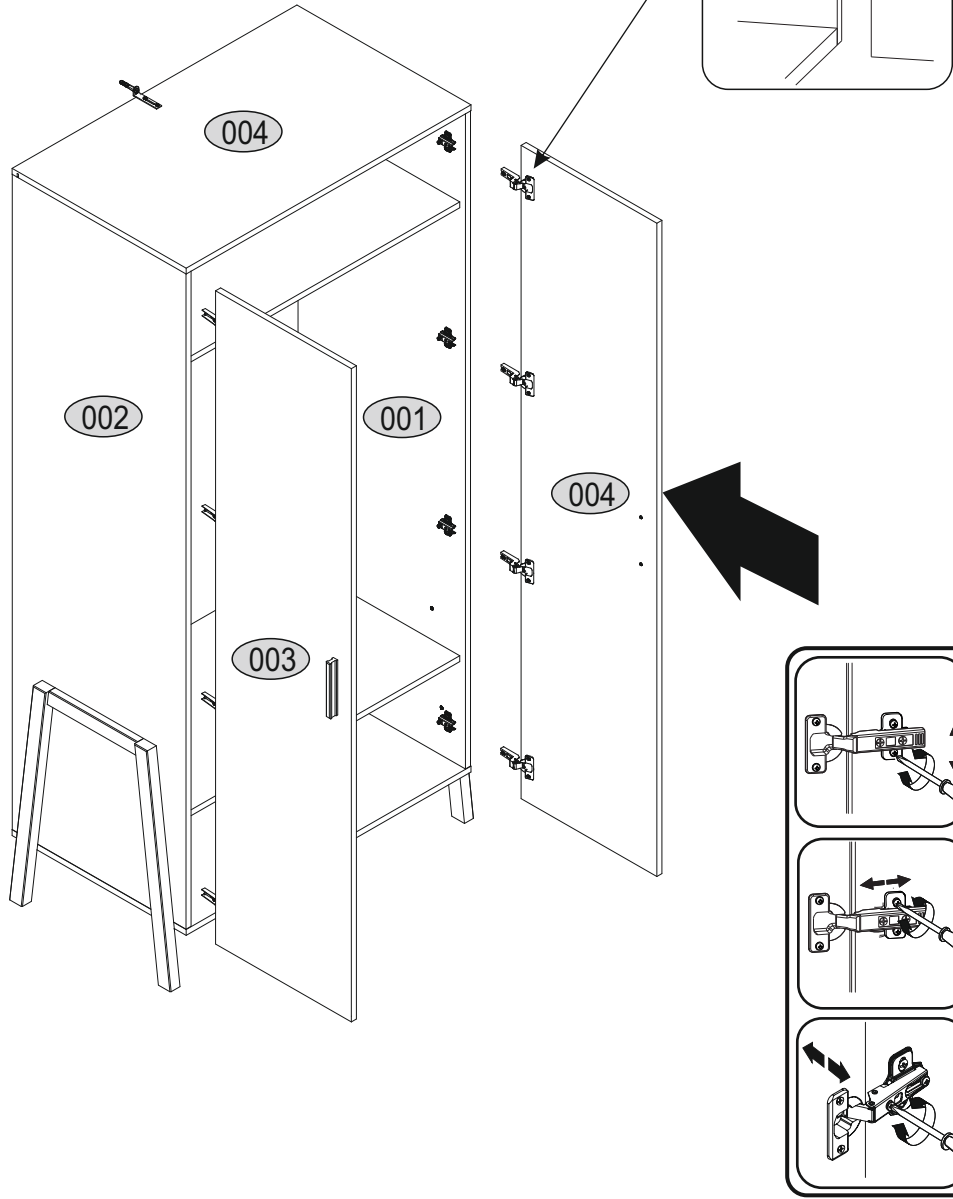
9



10



11



12

